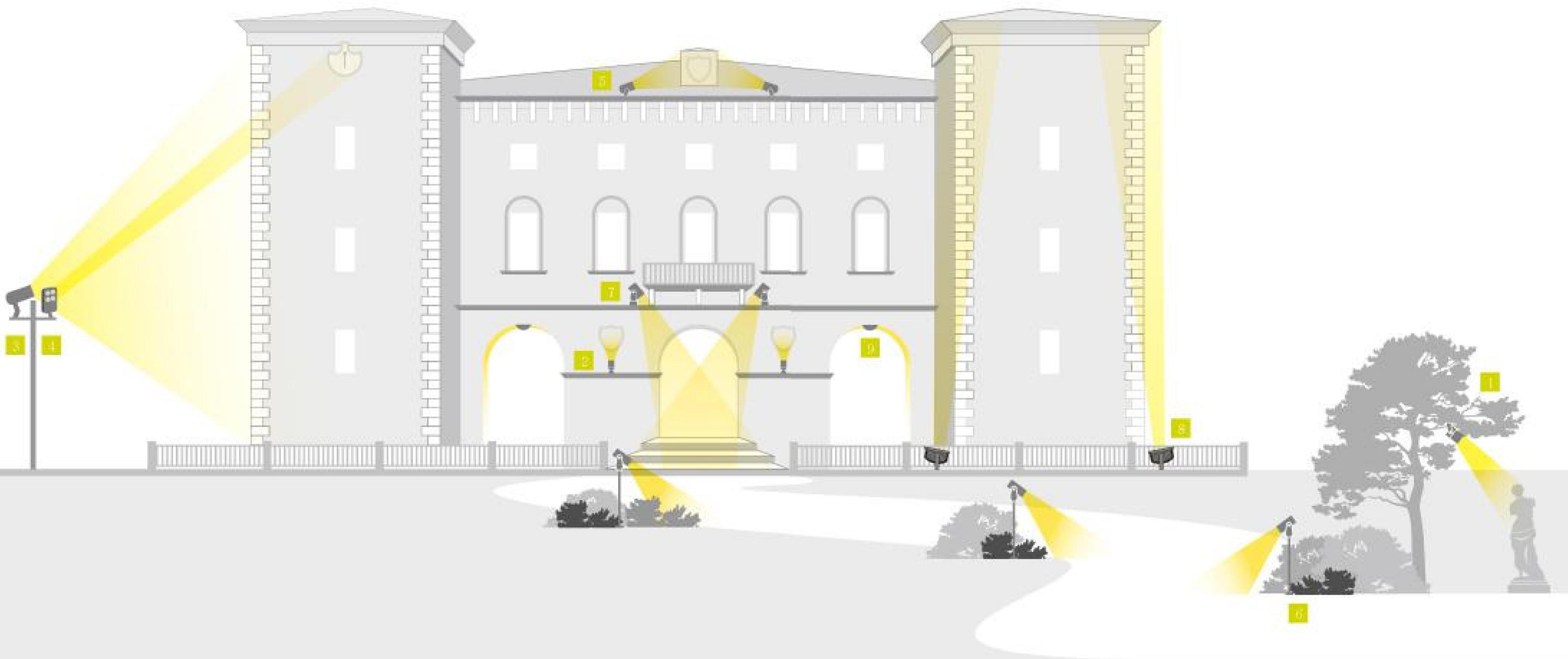




LED LANDSCAPE LIGHTING

PROJECTORS

FOR OUTDOOR PPLICATIONS



Rose Series Projector



ROSE Pro



ROSE



ROSE Mini

Technical features

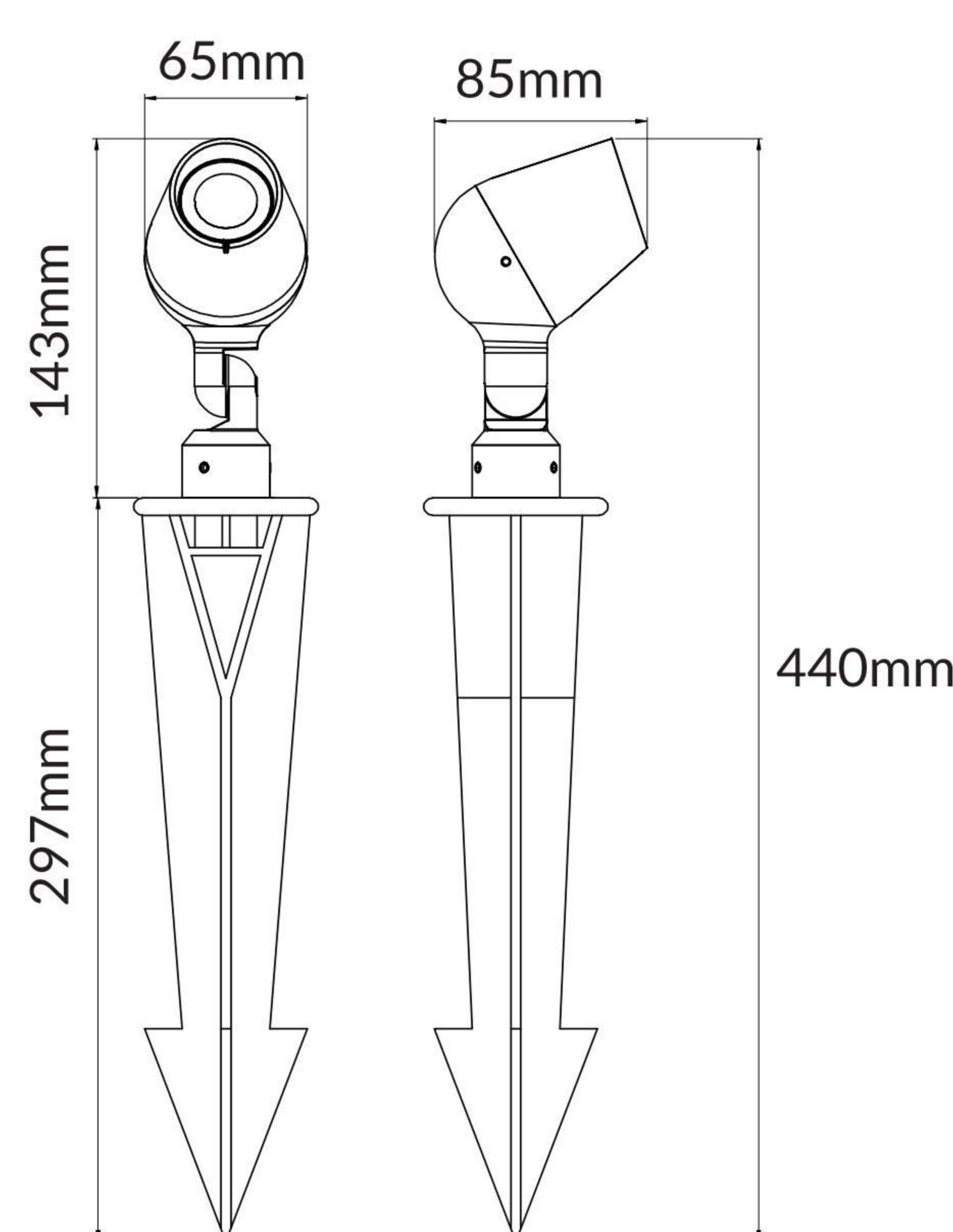


Technical data

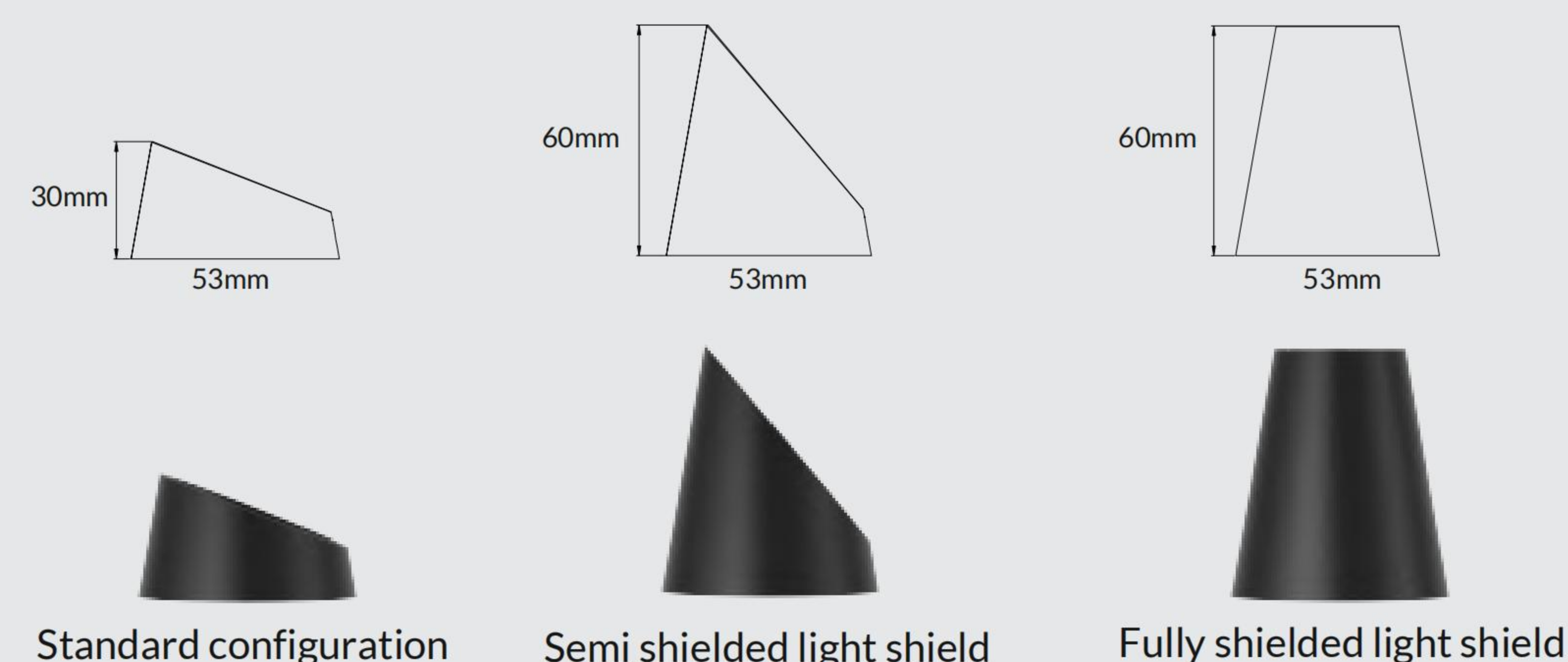
Wattage	3/6/8W
IP Rating	IP66
IK Rating	IK06
Material	High corrosion resistance die-cast copper-free aluminum body
Coating	Polyester powder coating with phosphochromating pre-finish
Light source	1xCOB CRI>90
Standard Deviation Color Matching :MacAdam step 3	
Screws	Stainless steel
Transformer	Electronic power supply AC120-277V or DC12-24V
Gasket	Silicone rubber
Glass	Tempered
Power cable	0.5 mt. neoprene power cable included
Gross weight	0.35 Kg
Packaging size	41*21*41cm(20Pcs) 8.6kg

ROSE Mini

EL-SL 1.0

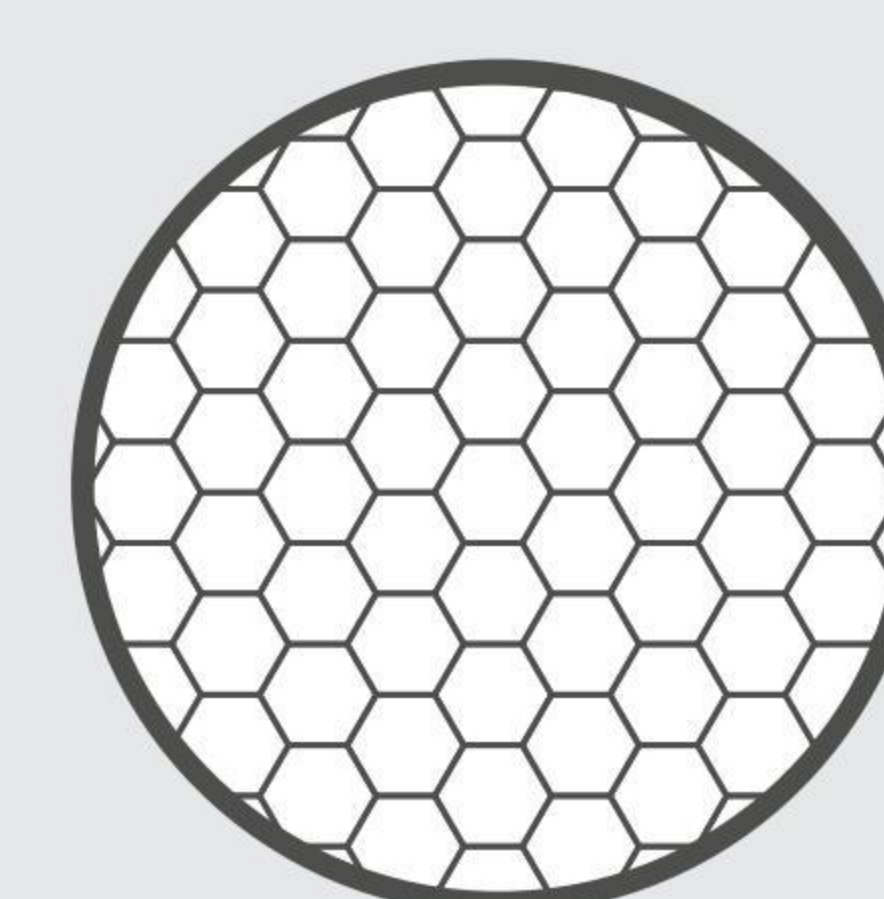


Option



* Different types of light shields can be replaced on site

OPTICAL ACCESSORIES

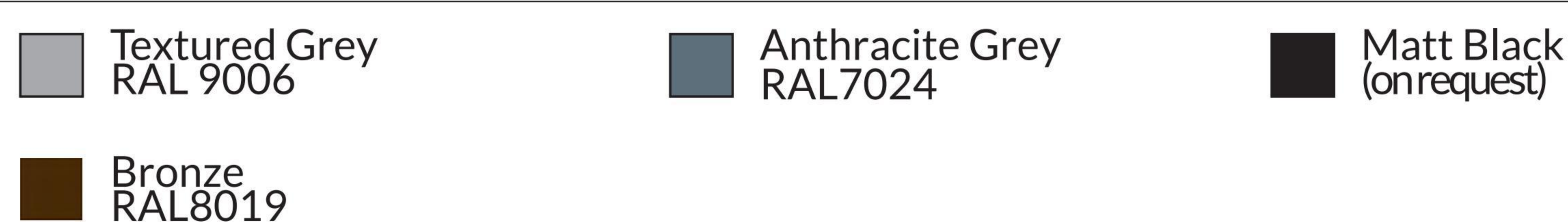


Honeycomb louvre built into the lighting fixture

light source*	lumen output (lm)	lumin. efficacy (lm/w)	light beam options
3000°K warm-white			
3W COB	240.0	80.0	15°
6W COB	480.0		24°
8W COB	640.0		36°
			40*70°

2700/4000/5000K CCT available on request

Finish color options :



Customizable in different finishing colors



Technical features

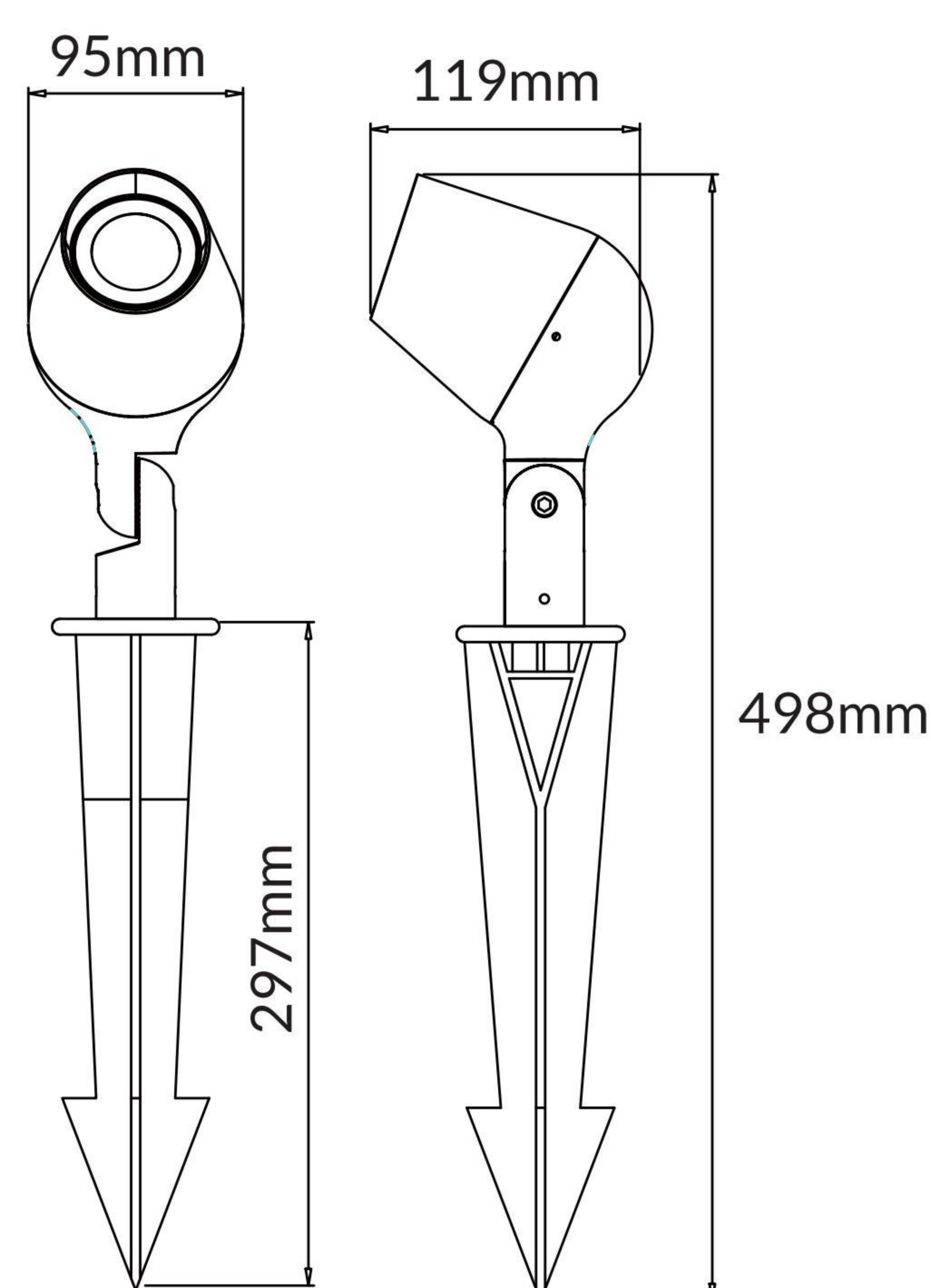
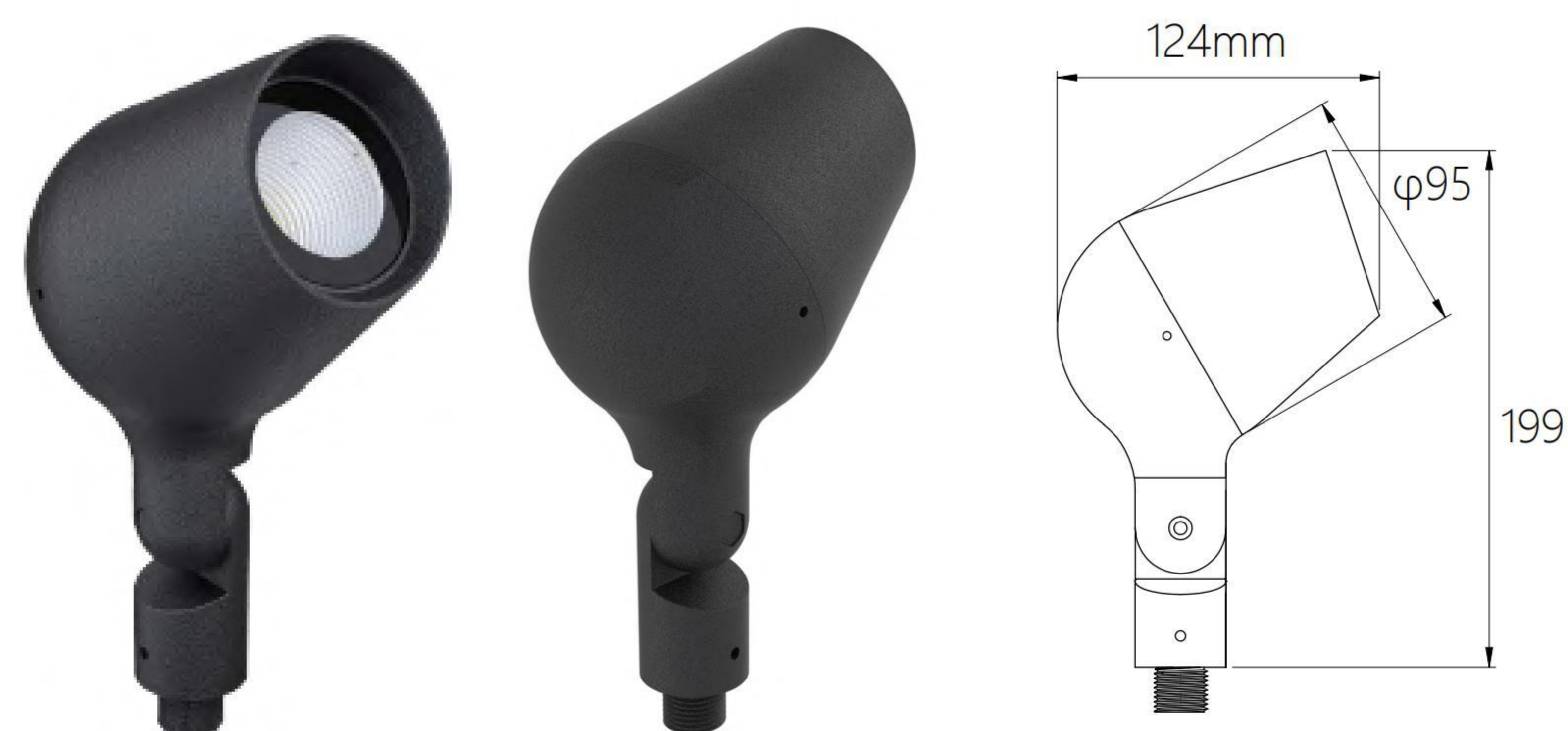


Technical data

Wattage	10/15/20W
IP Rating	IP66
IK Rating	IK06
Material	High corrosion resistance die-cast copper-free aluminum body
Coating	Polyester powder coating with phosphochromating pre-finish
Light source	1xCOB CRI>90
Standard Deviation Color Matching :MacAdam step 3	
Screws	Stainless steel
Transformer	Electronic power supply 220/240V 50/60Hz built-in or(AC120-277V)/(DC12-24V)
Gasket	Silicone rubber
Glass	Tempered
Power cable	0.5 mt. neoprene power cable included
Gross weight	1.1 Kg
Packaging size	33*27*31cm(6Pcs) 6.5kg

ROSE

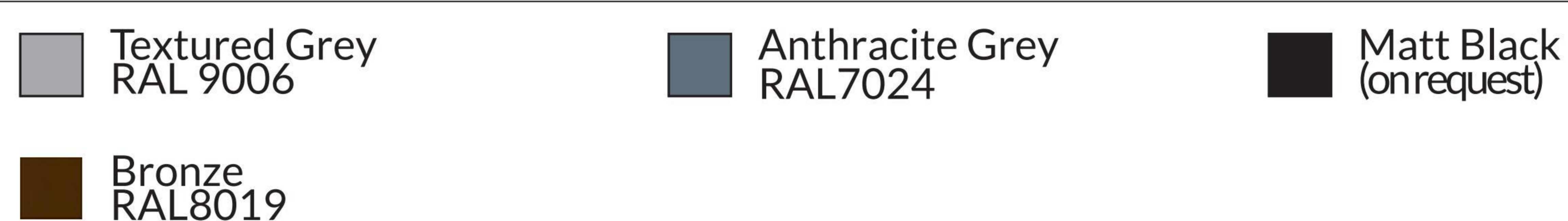
EL-SL 2.0



light source*	lumen output (lm)	lumin. efficacy (lm/w)	light beam options
3000°K warm-white			
10W COB	960.0	96.00	15°
15W COB	1440.0		24°
20W COB	1920.0		36°
			60°
			40*70°

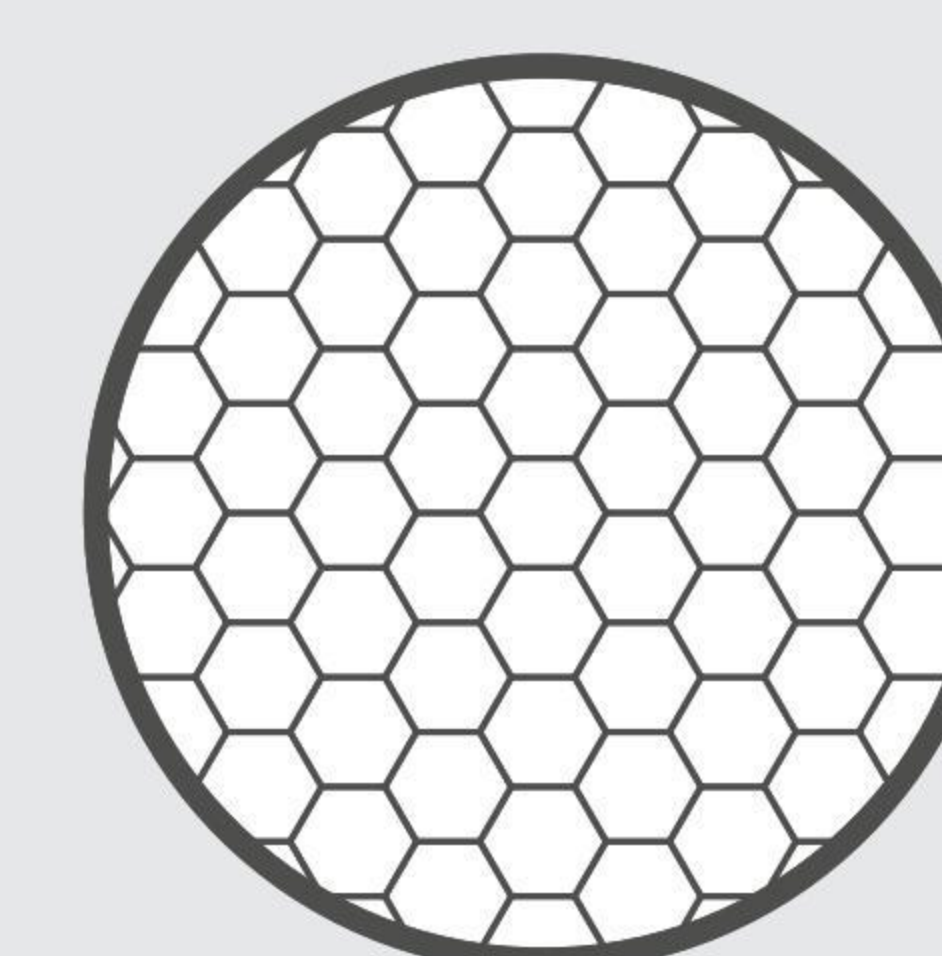
2700/4000/5000K CCT available on request

Finish color options :

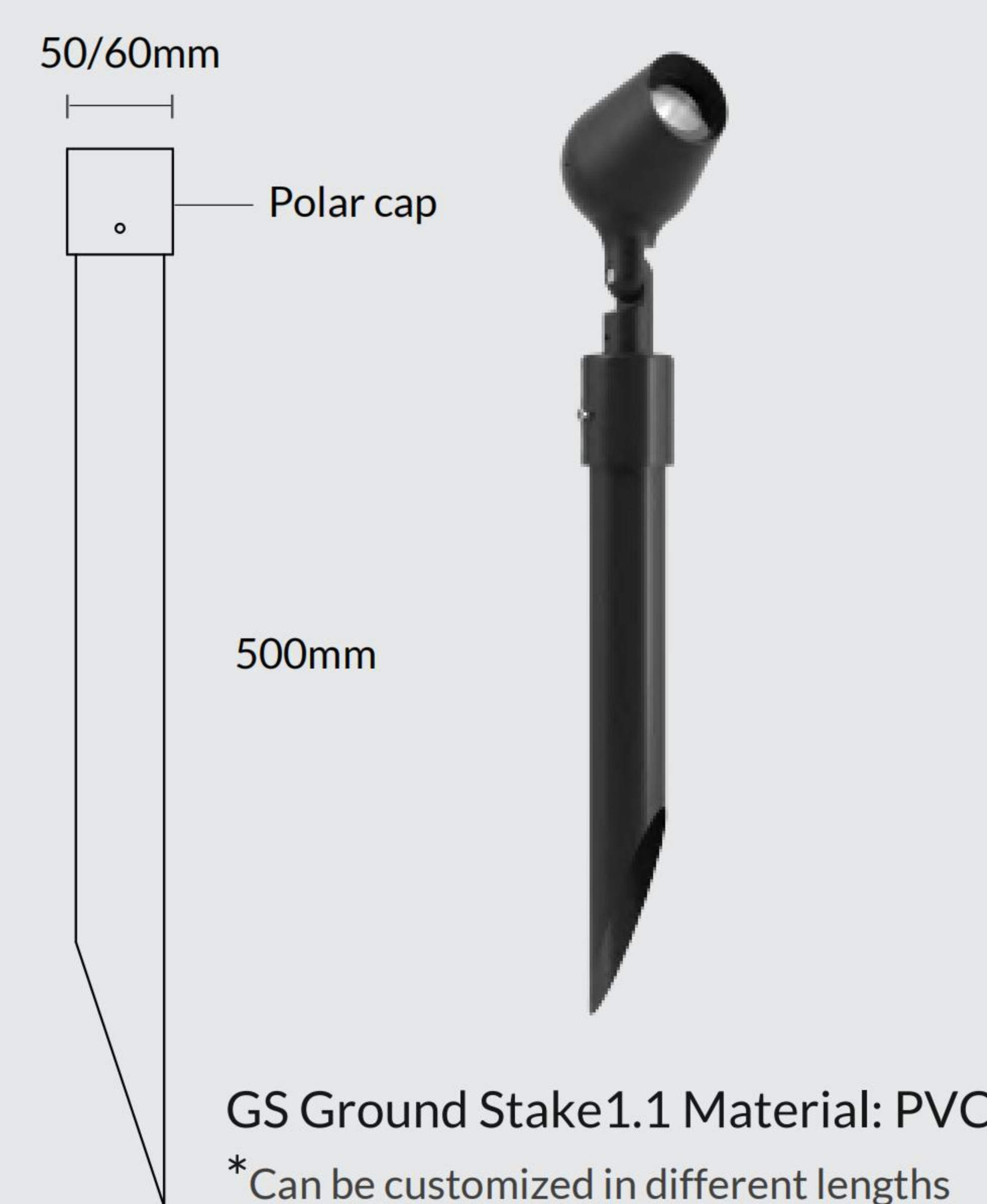


Customizable in different finishing colors

OPTICAL ACCESSORIES



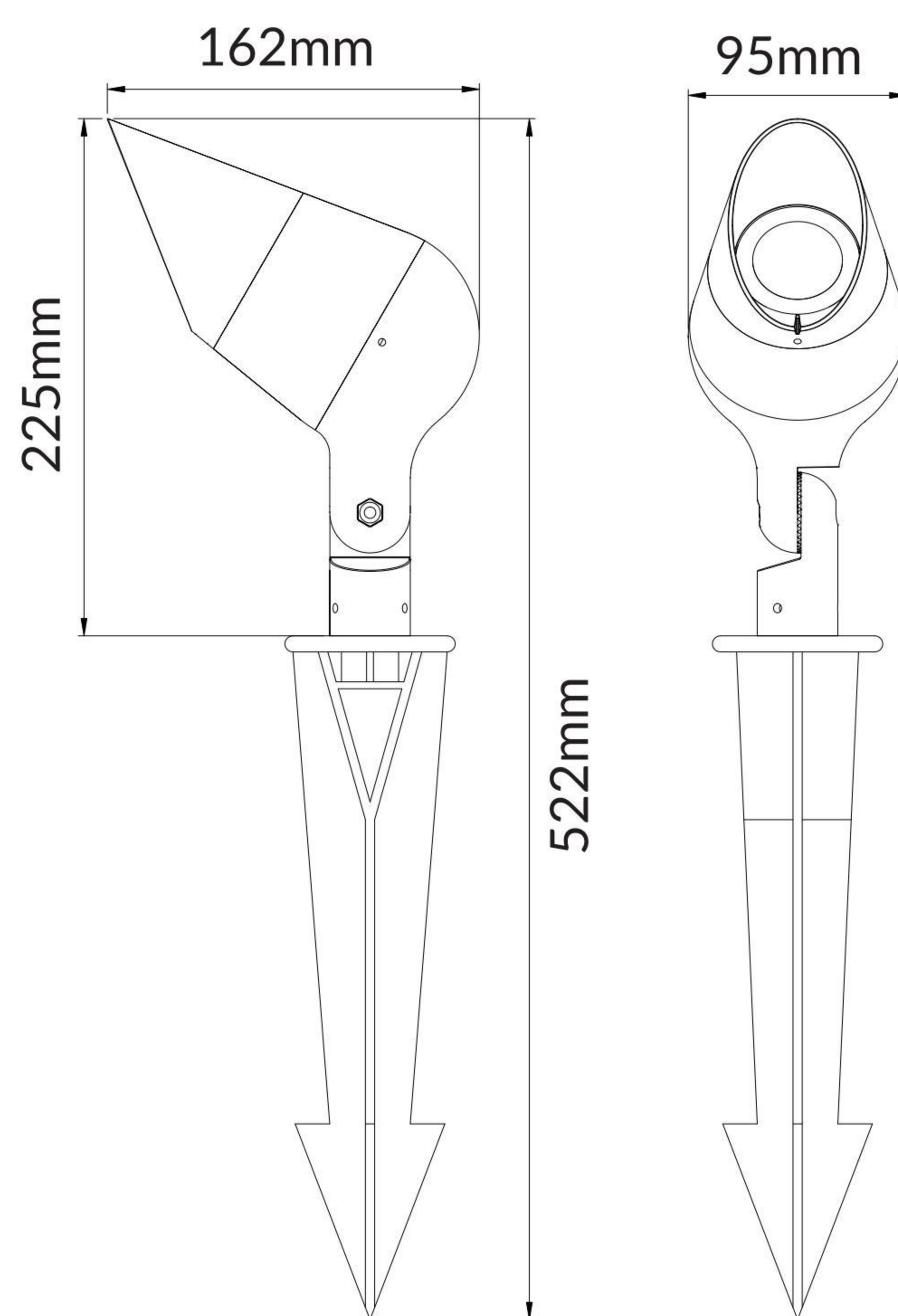
Honeycomb louvre built into the lighting fixture



NEW



ROSE
EL-SL 2.0+



light source*	lumen output (lm)	lumin. efficacy (lm/w)	light beam options
3000°K warm-white			
10W COB	960.0	96.00	15°
15W COB	1440.0		24°
20W COB	1920.0		36°
			40*70°

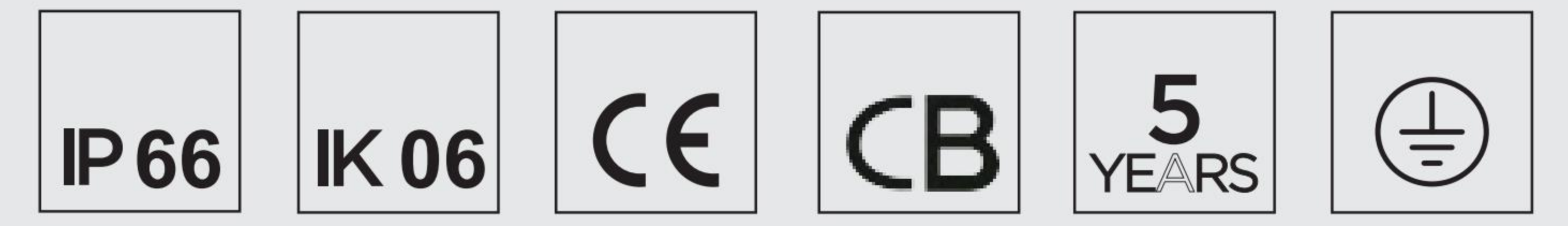
2700/4000/5000K CCT available on request

Finish color options :

- Textured Grey RAL 9006
- Anthracite Grey RAL7024
- Matt Black (on request)
- Bronze RAL8019

Customizable in different finishing colors

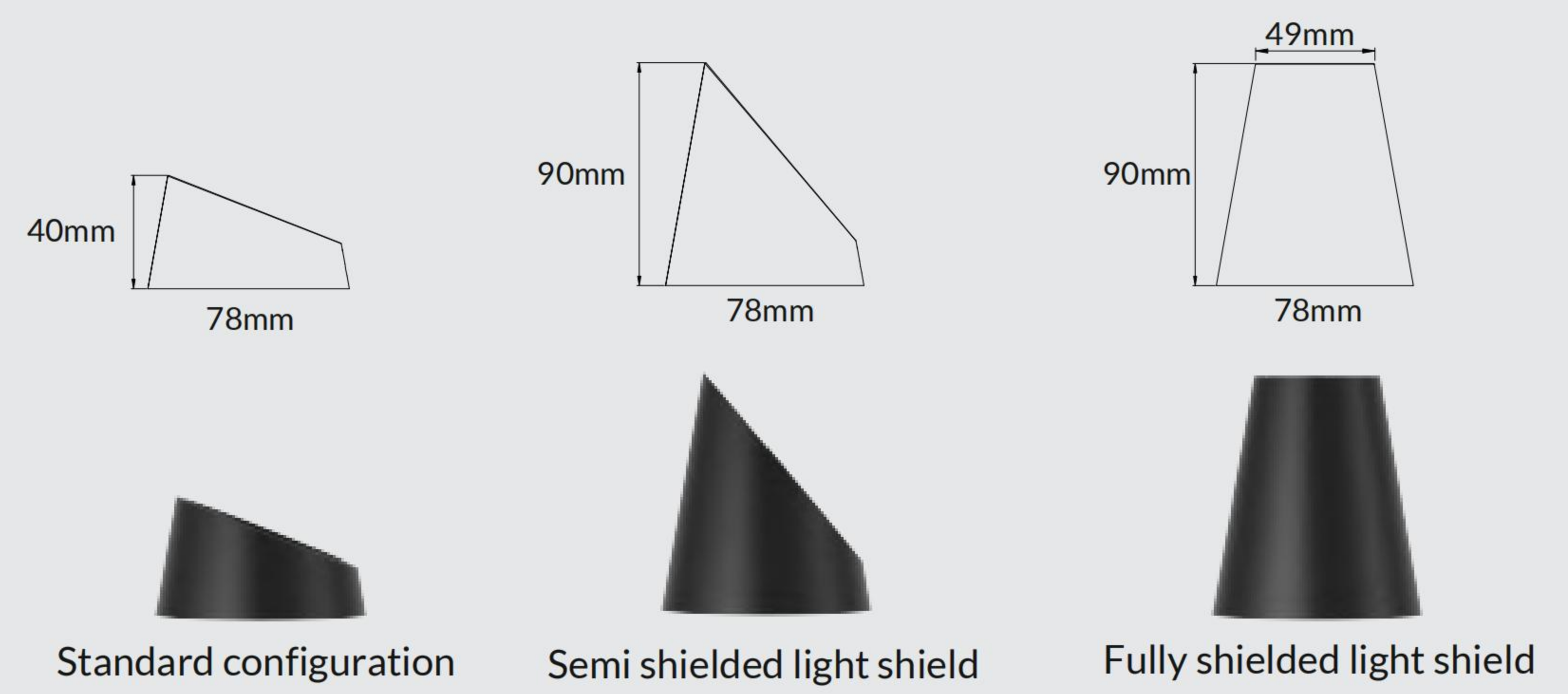
Technical features



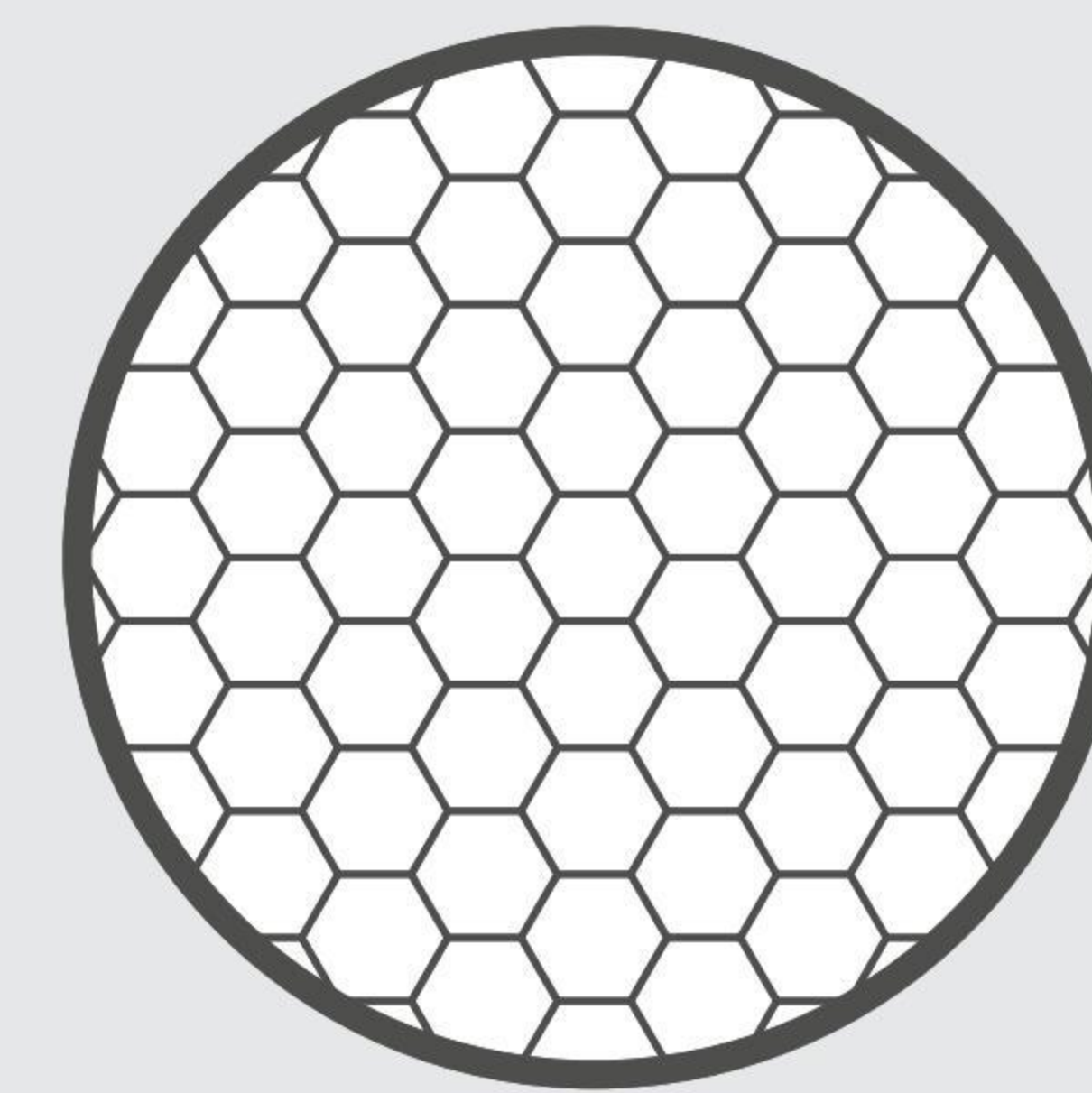
Technical data

Wattage	10/15/20W
IP Rating	IP66
IK Rating	IK06
Material	High corrosion resistance die-cast copper-free aluminum body
Coating	Polyester powder coating with phosphochromating pre-finish
Light source	1xCOB CRI>90
Standard Deviation Color Matching :MacAdam step 3	
Screws	Stainless steel
Transformer	Electronic power supply 220/240V 50/60Hz built-in or(AC120-277V)/(DC12-24V)
Gasket	Silicone rubber
Glass	Tempered
Power cable	0.5 mt. neoprene power cable included
Gross weight	1.1 Kg
Packaging size	33*27*31cm(6Pcs) 6.5kg

OPTICAL ACCESSORIES



* Different types of light shields can be replaced on site



Honeycomb louvre built into the lighting fixture



Technical features

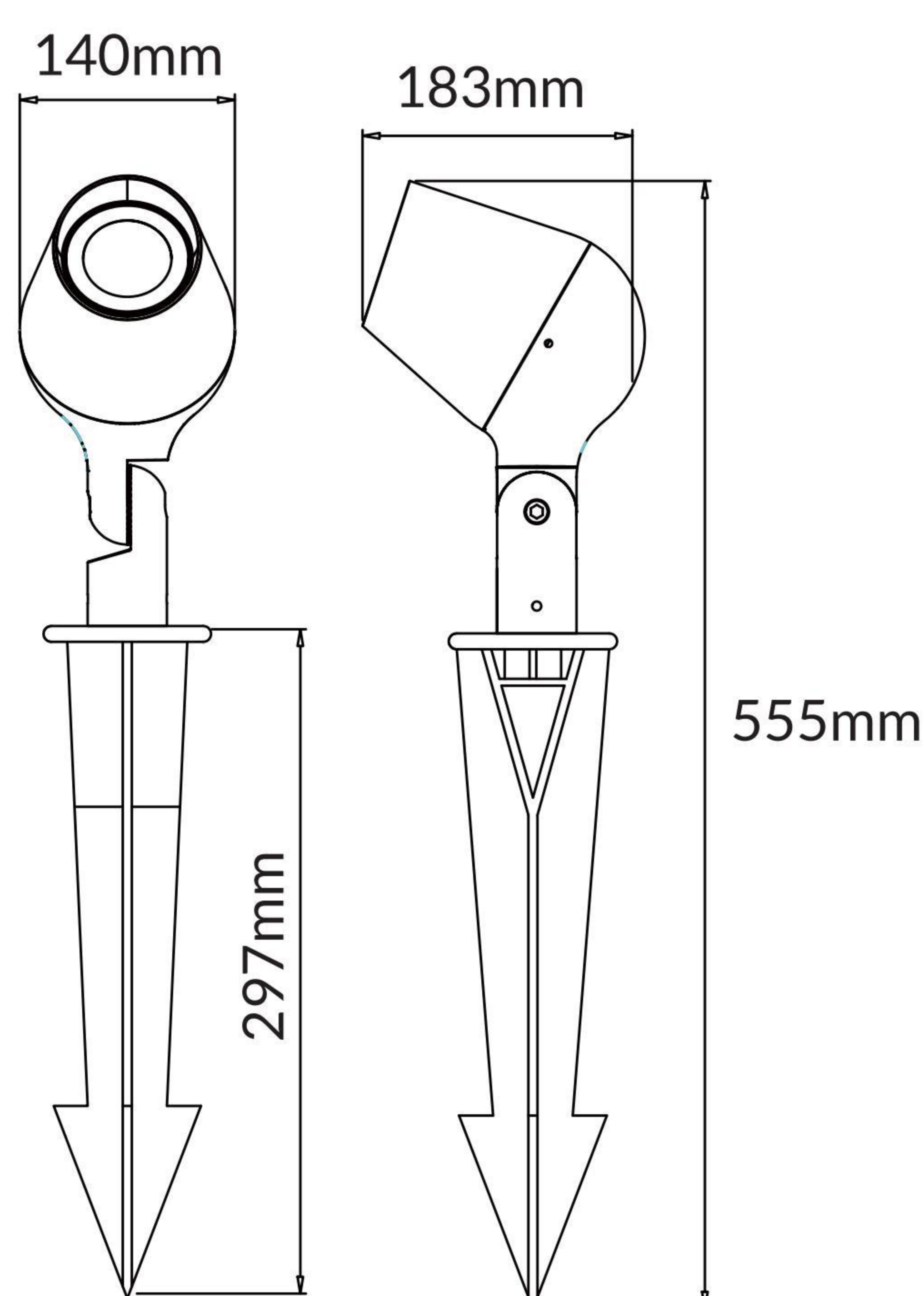


Technical data

Wattage	30/40/60W
IP Rating	IP66
IK Rating	IK06
Material	High corrosion resistance die-cast copper-free aluminum body
Coating	Polyester powder coating with phosphochromating pre-finish
Light source	1xCOB CRI>90
Standard Deviation Color Matching	MacAdam step 3
Screws	Stainless steel
Transformer	Electronic power supply 220/240V 50/60Hz built-in or AC120-277V
Gasket	Silicone rubber
Glass	Tempered
Power cable	0.5 mt. neoprene power cable included
Gross weight	2.15 Kg
Packaging size	32*32*42cm 4PCS 8.6kg

ROSE Pro

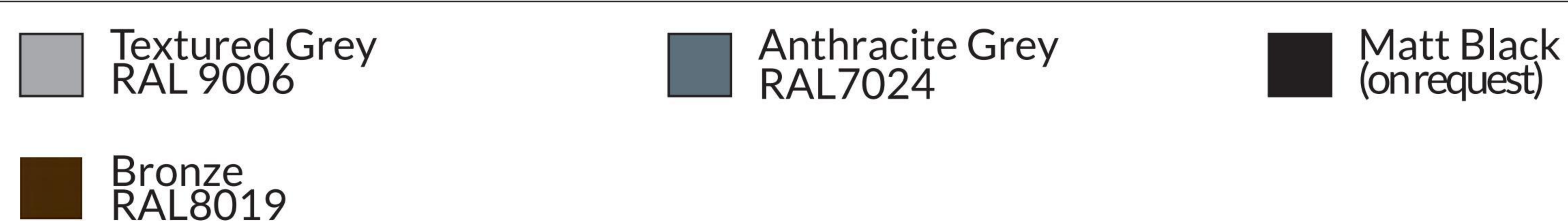
EL-SL 3.0



light source*	lumen output (lm)	lumin. efficacy (lm/w)	light beam options
3000°K warm-white			
30W COB	3000.0	100.00	15°
40W COB	4000.0		24°
60W COB	6000.0		36°
			60°
			40*70°

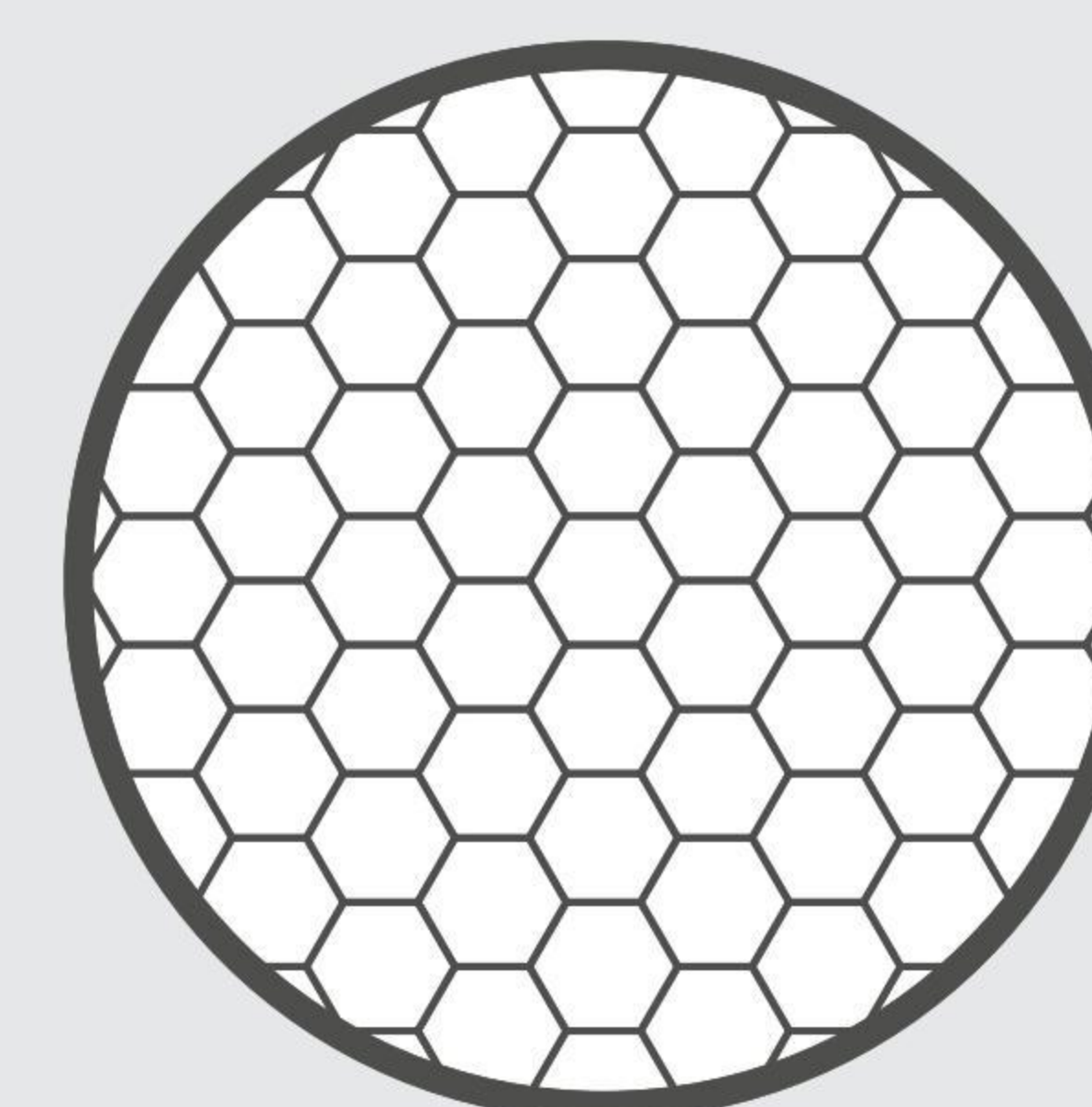
2700/4000/5000K CCT available on request

Finish color options :

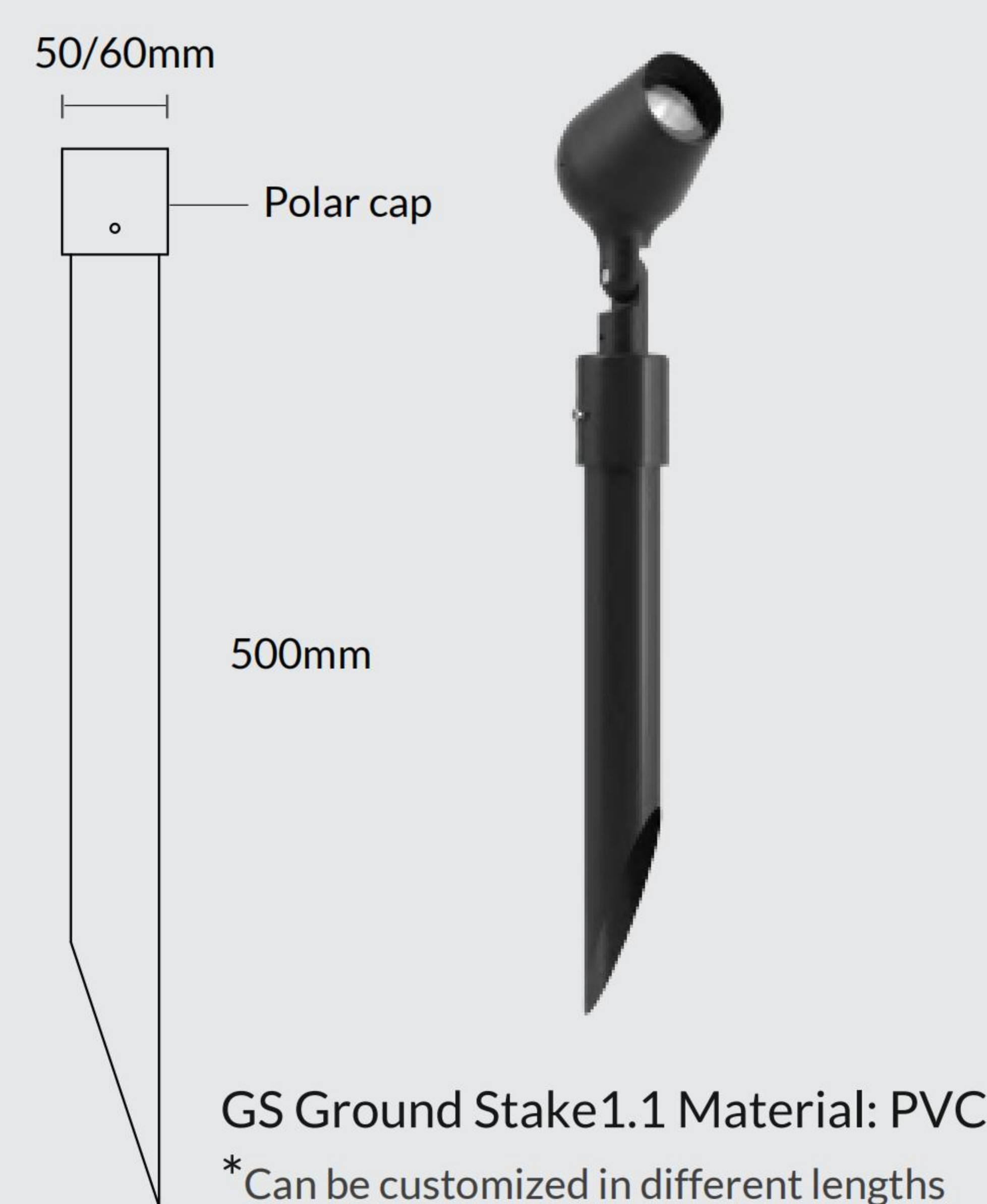


Customizable in different finishing colors

OPTICAL ACCESSORIES



Honeycomb louvre built into the lighting fixture



Technical features



Technical data

Wattage	3/6/8W
IP Rating	IP66
IK Rating	IK06
Material	High corrosion resistance die-cast copper-free aluminum body
Coating	Polyester powder coating with phosphochromating pre-finish
Light source	1xCOB CRI>90
Standard Deviation Color Matching :MacAdam step 3	
Screws	Stainless steel
Transformer	Electronic power supply AC120-277V or DC12-24V
Gasket	Silicone rubber
Glass	Tempered
Power cable	0.5 mt. neoprene power cable included
Gross weight	0.35 Kg
Packaging size	41*21*41cm(20Pcs) 8.6kg

ROSE Mini

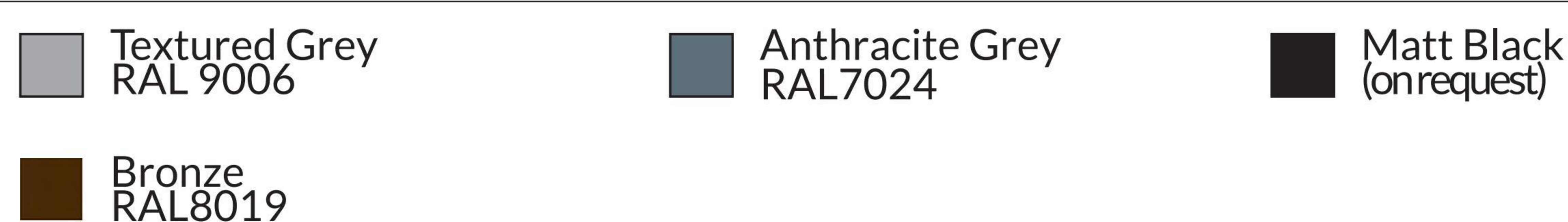
EL-SL 1.1



light source*	lumen output (lm)	lumin. efficacy (lm/w)	light beam options
3000°K warm-white			
3W COB	240.0	80.0	15°
6W COB	480.0		24°
8W COB	640.0		36°
			40*70°

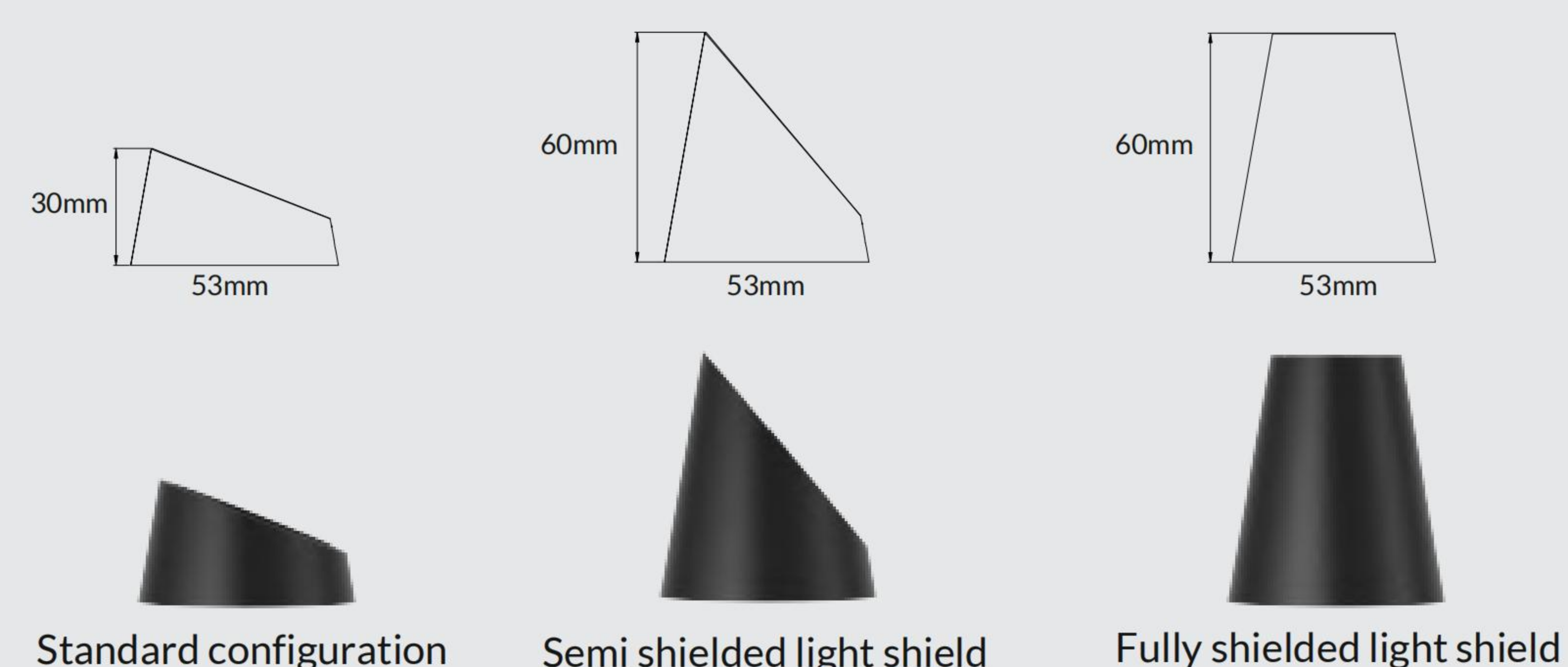
2700/4000/5000K CCT available on request

Finish color options :

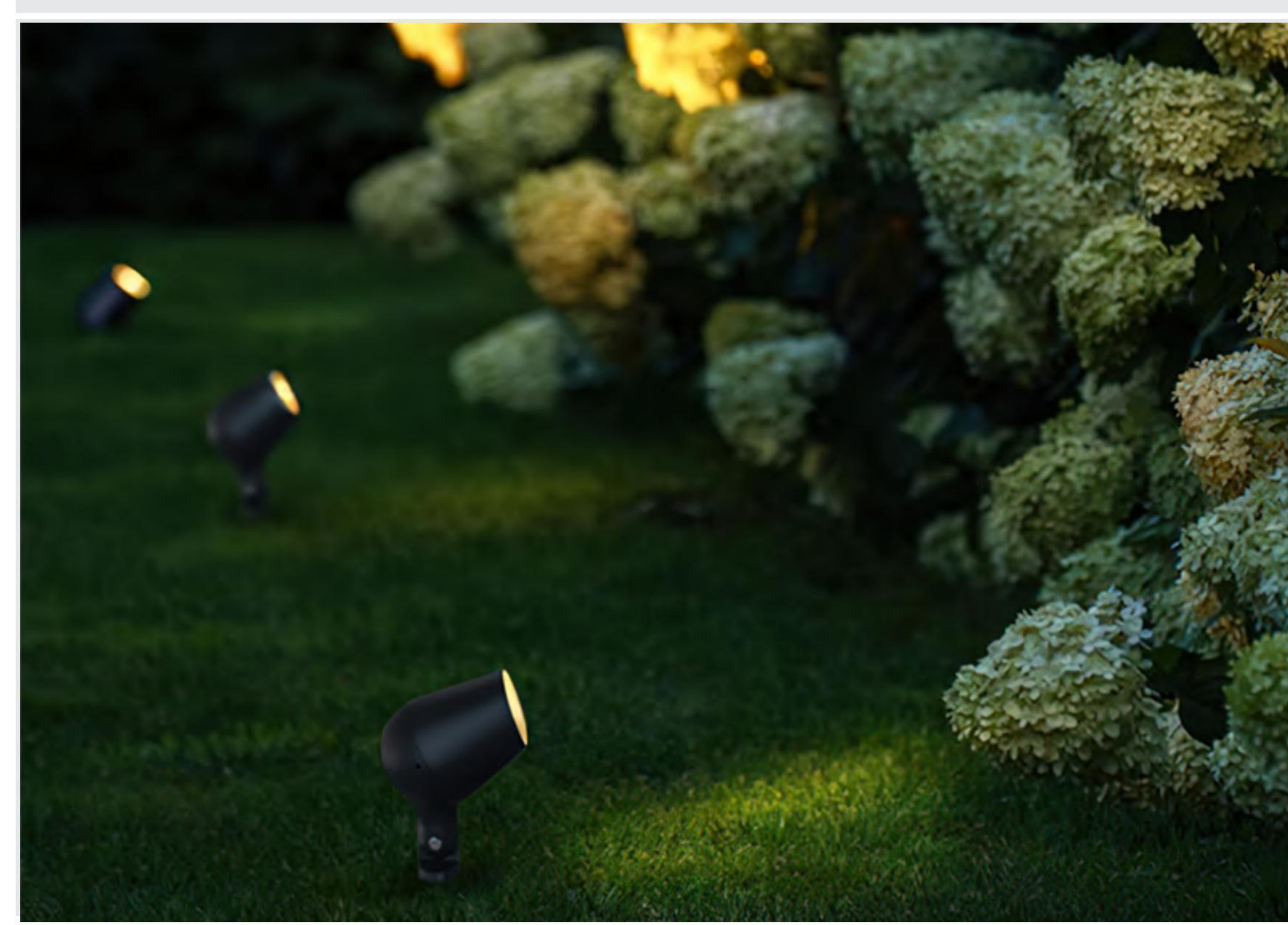
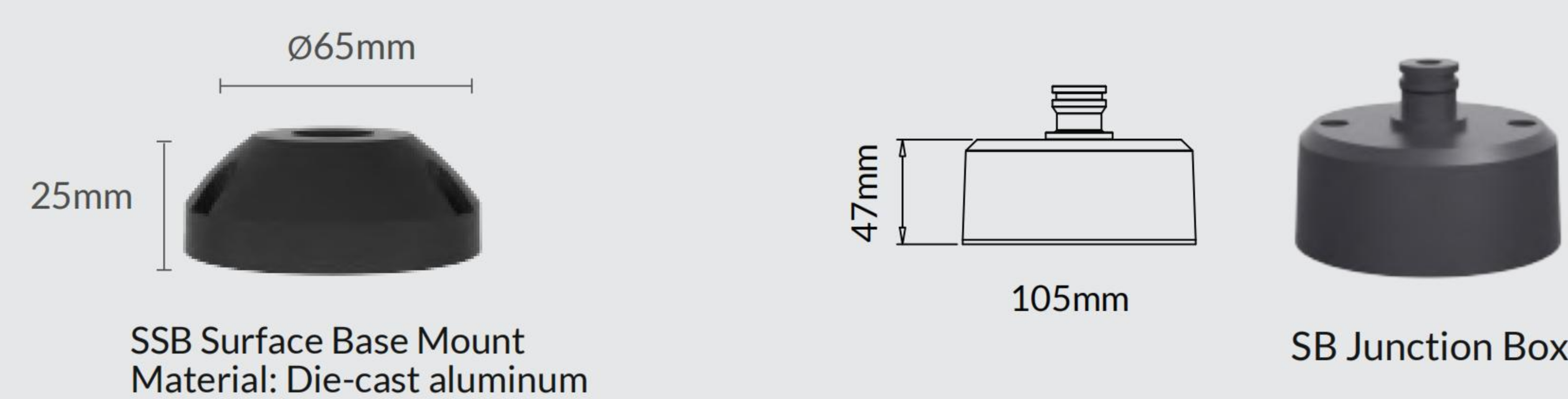


Customizable in different finishing colors

Option



* Different types of light shields can be replaced on site



Technical features

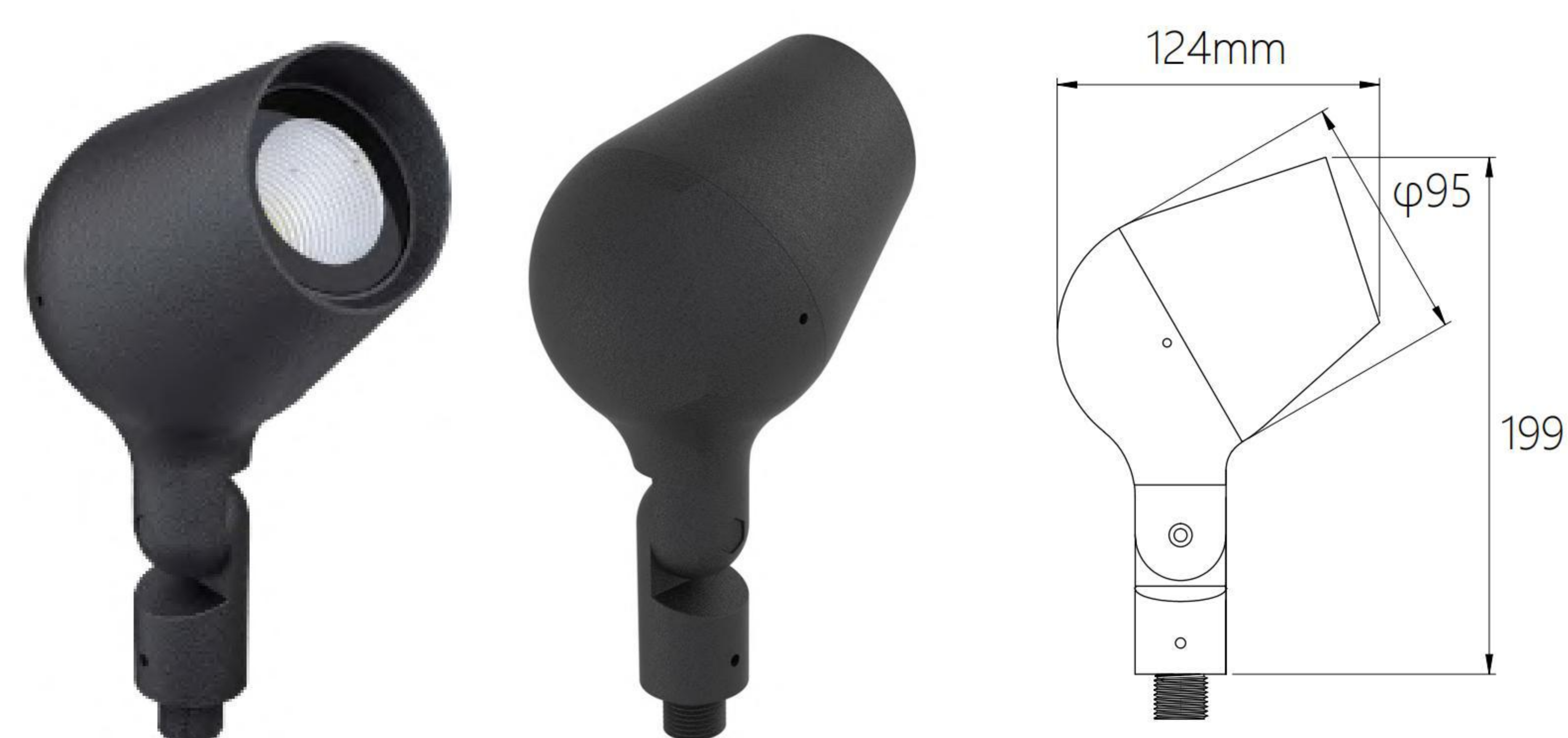
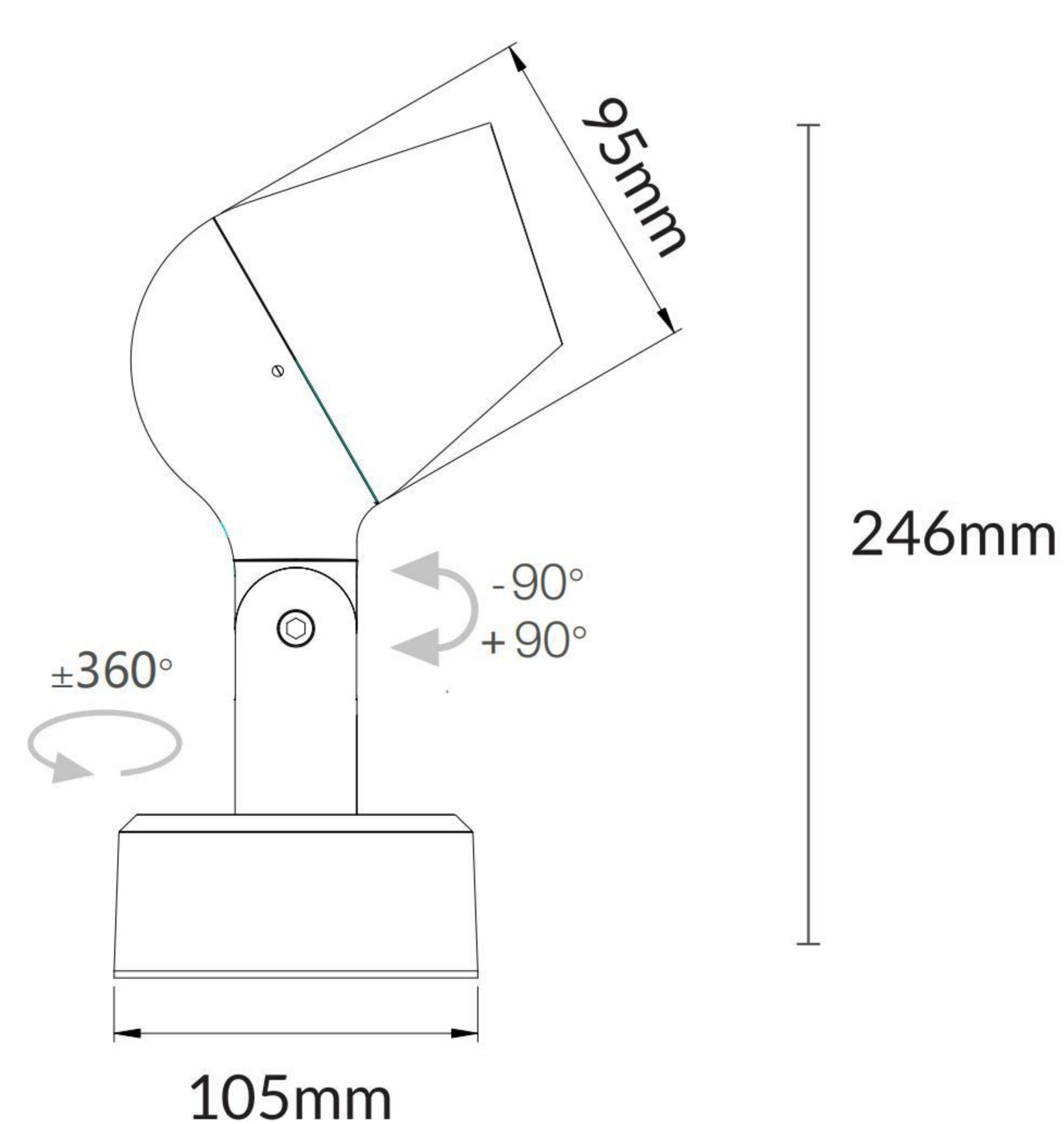


Technical data

Wattage	10/15/20W
IP Rating	IP66
IK Rating	IK06
Material	High corrosion resistance die-cast copper-free aluminum body
Coating	Polyester powder coating with phosphochromating pre-finish
Light source	1x COB CRI>90
Standard Deviation Color Matching :MacAdam step 3	
Screws	Stainless steel
Transformer	Electronic power supply 220/240V 50/60Hz built-in or(AC120-277V)/(DC12-24V)
Gasket	Silicone rubber
Glass	Tempered
Power cable	0.5 mt. neoprene power cable included
Gross weight	1.2 Kg
Packaging size	33*27*31cm(6Pcs) 6.5kg

ROSE

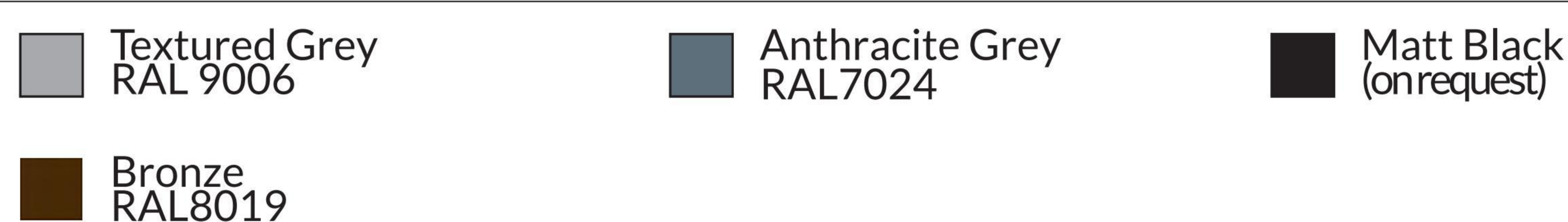
EL-SL 2.1



light source*	lumen output (lm)	lumin. efficacy (lm/w)	light beam options
3000°K warm-white			
10W COB	960.0	96.00	15°
15W COB	1440.0		24°
20W COB	1920.0		36°
			60°
			40*70°

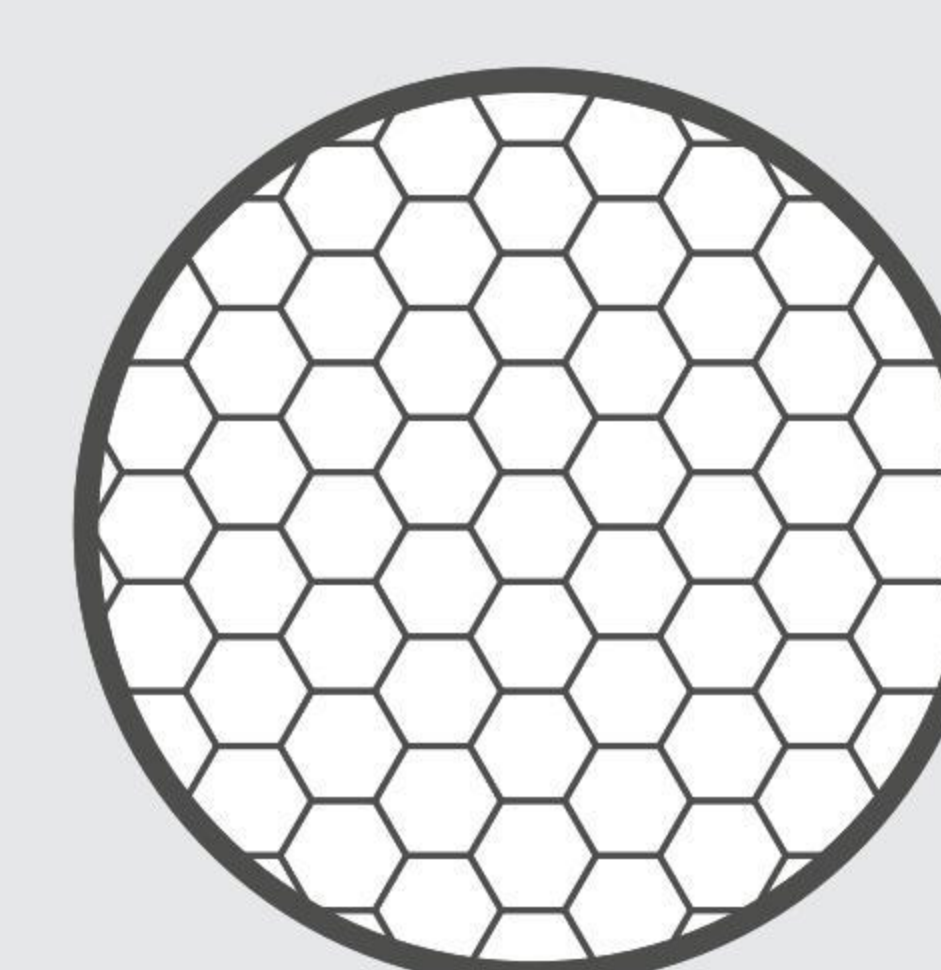
2700/4000/5000K CCT available on request

Finish color options :



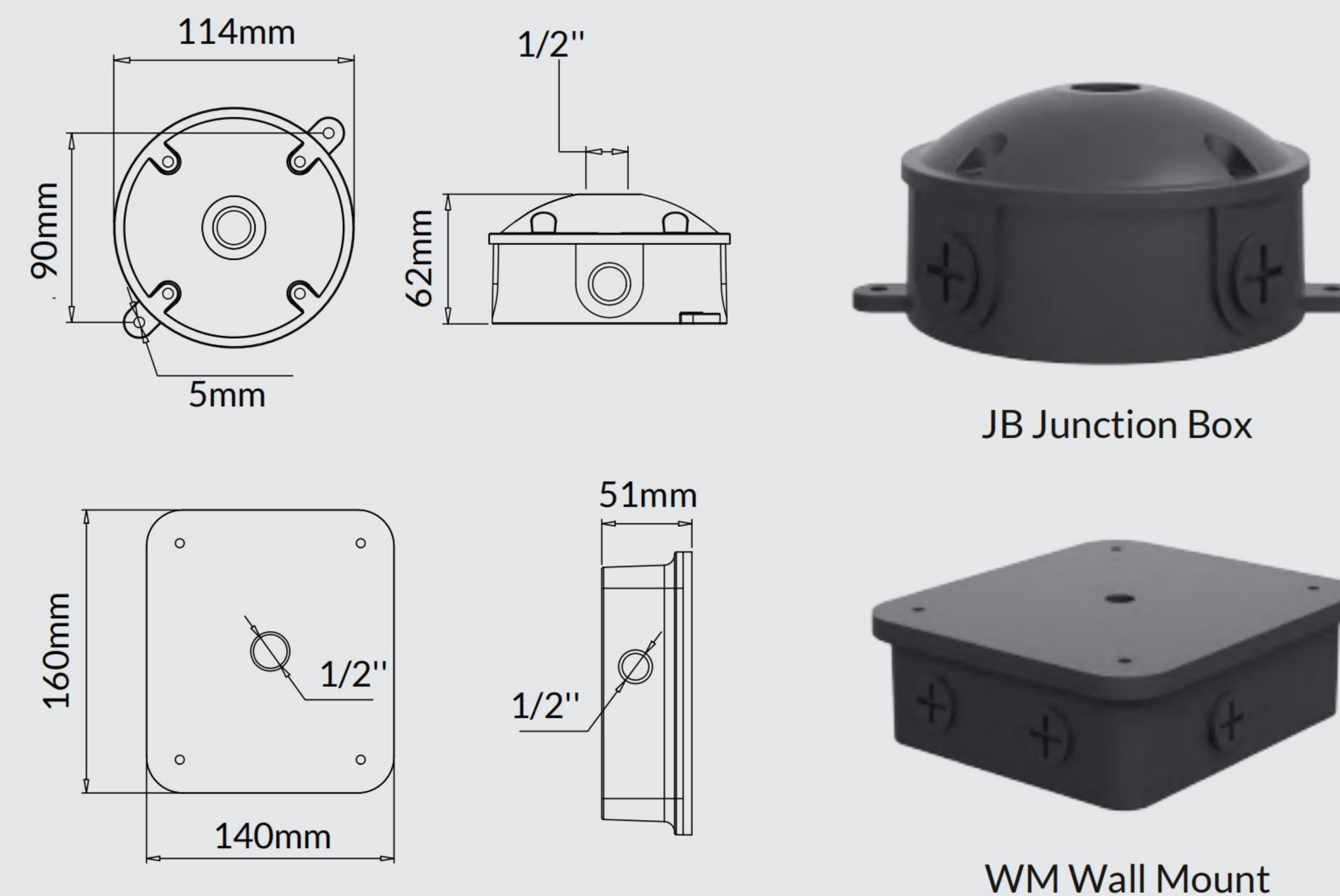
Customizable in different finishing colors

OPTICAL ACCESSORIES



Honeycomb louvre built into the lighting fixture

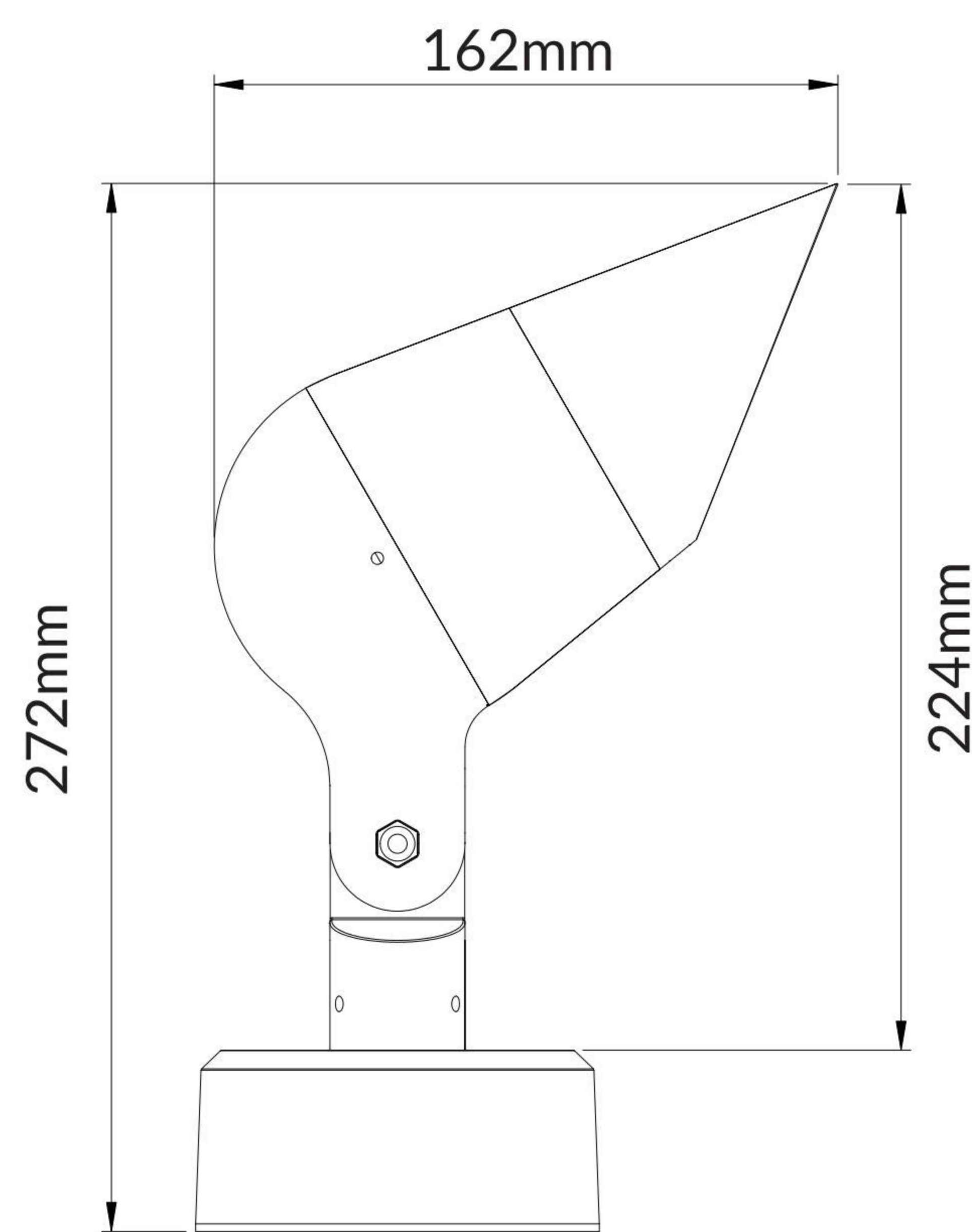
OPTION



NEW



**ROSE
EL-SL 2.1+**



light source*	lumen output (lm)	lumin. efficacy (lm/w)	light beam options
3000°K warm-white			
10W COB	960.0	96.00	15°
15W COB	1440.0		24°
20W COB	1920.0		36°
			60°
			40*70°

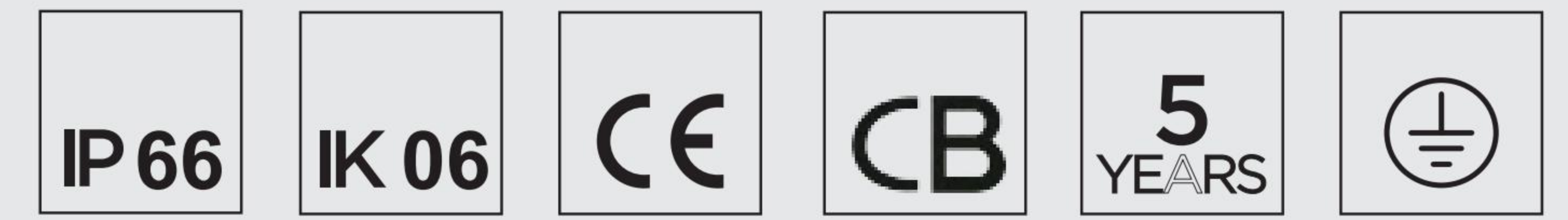
2700/4000/5000K CCT available on request

Finish color options :

- Textured Grey
RAL 9006
- Anthracite Grey
RAL7024
- Matt Black
(onrequest)
- Bronze
RAL8019

Customizable in different finishing colors

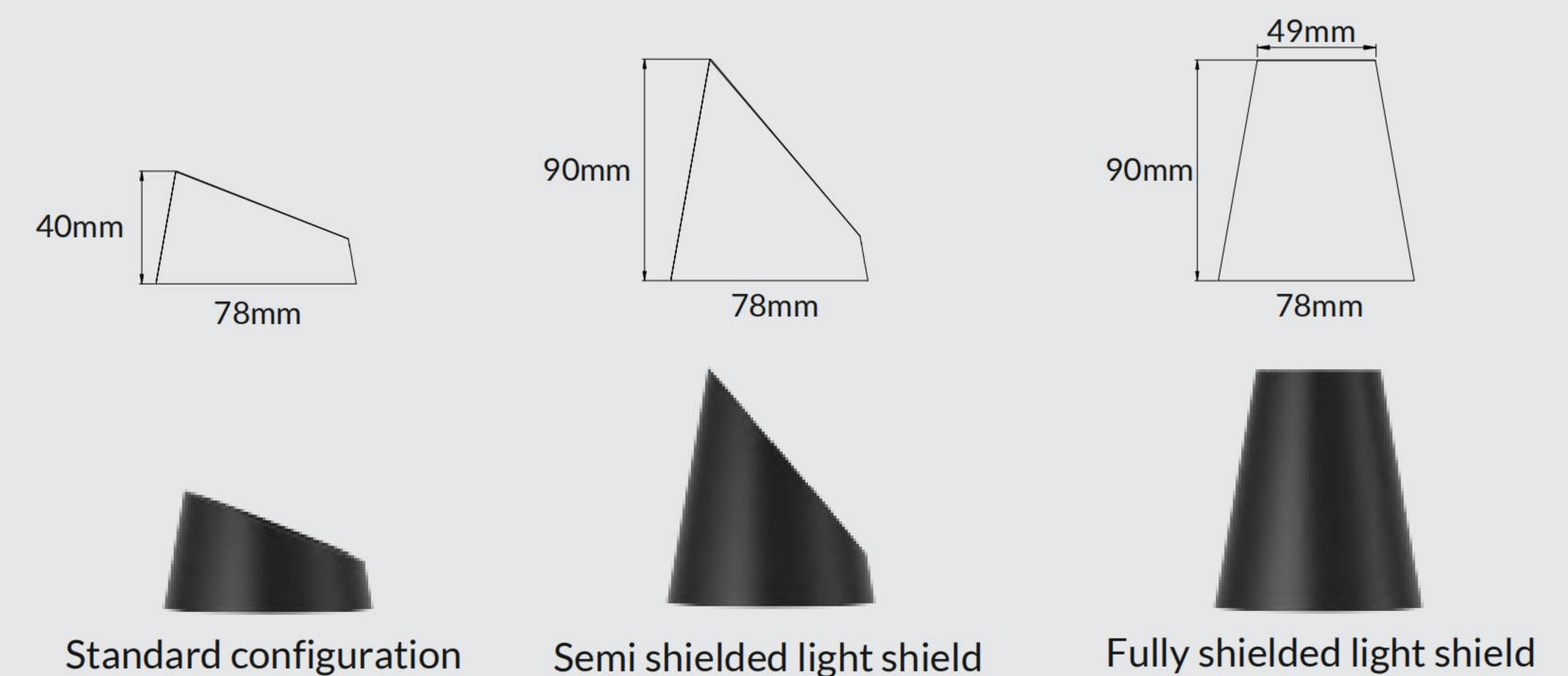
Technical features



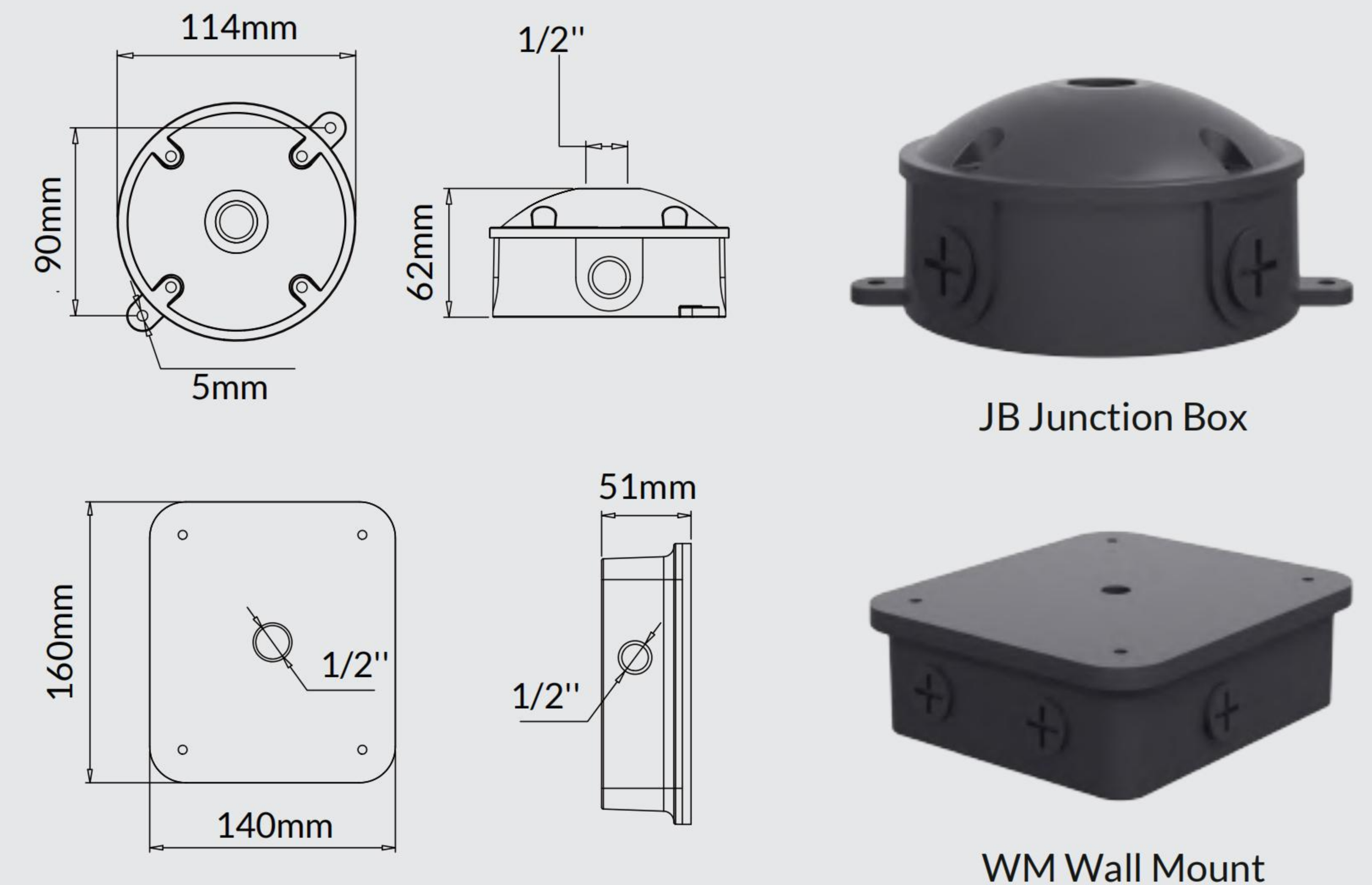
Technical data

Wattage	10/15/20W
IP Rating	IP66
IK Rating	IK06
Material	High corrosion resistance die-cast copper-free aluminum body
Coating	Polyester powder coating with phosphochromating pre-finish
Light source	1x COB CRI>90
Standard Deviation Color Matching :MacAdam step 3	
Screws	Stainless steel
Transformer	Electronic power supply 220/240V 50/60Hz built-in or(AC120-277V)/(DC12-24V)
Gasket	Silicone rubber
Glass	Tempered
Power cable	0.5 mt. neoprene power cable included
Gross weight	1.2 Kg
Packaging size	33*27*31cm(6Pcs) 6.5kg

OPTION



*Different types of light shields can be replaced on site



Technical features

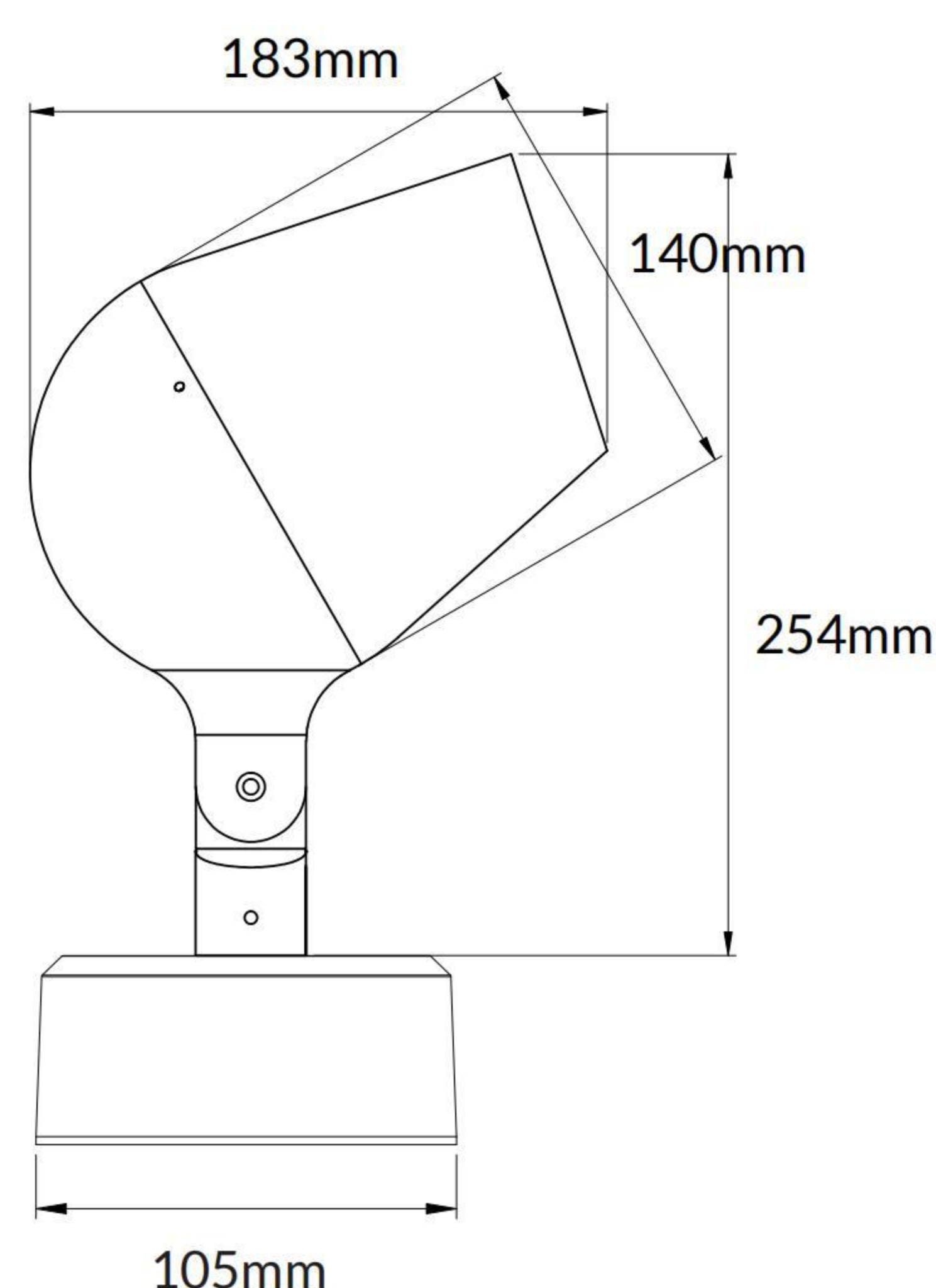


Technical data

Wattage	30/40/60W
IP Rating	IP66
IK Rating	IK06
Material	High corrosion resistance die-cast copper-free aluminum body
Coating	Polyester powder coating with phosphochromating pre-finish
Light source	1xCOB CRI>90
Standard Deviation Color Matching	MacAdam step 3
Screws	Stainless steel
Transformer	Electronic power supply 220/240V 50/60Hz built-in or AC120-277V
Gasket	Silicone rubber
Glass	Tempered
POWER CABLES	Neoprene cable 3x0.75
Power cable	0.5 mt. neoprene power cable included
Gross weight	2.15 Kg
Packaging size	32*32*42cm 4PCS 8.6kg

ROSE Pro

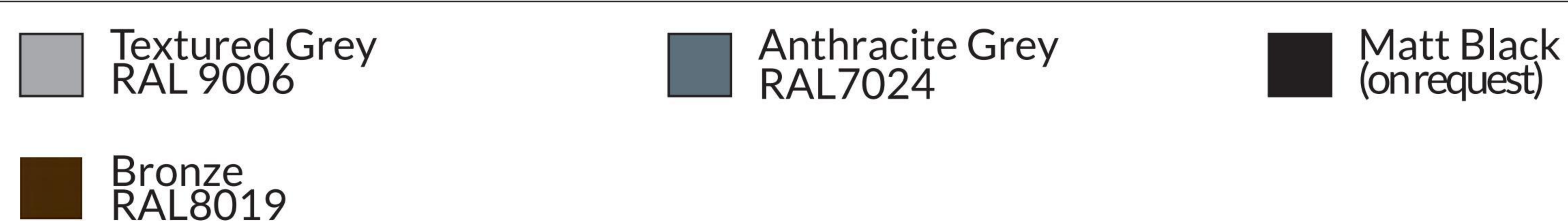
EL-SL 3.1



light source*	lumen output (lm)	lumin. efficacy (lm/w)	light beam options
3000°K warm-white			
30W COB	3000.0	100.00	15°
40W COB	4000.0		24°
60W COB	6000.0		36°
			60°
			40*70°

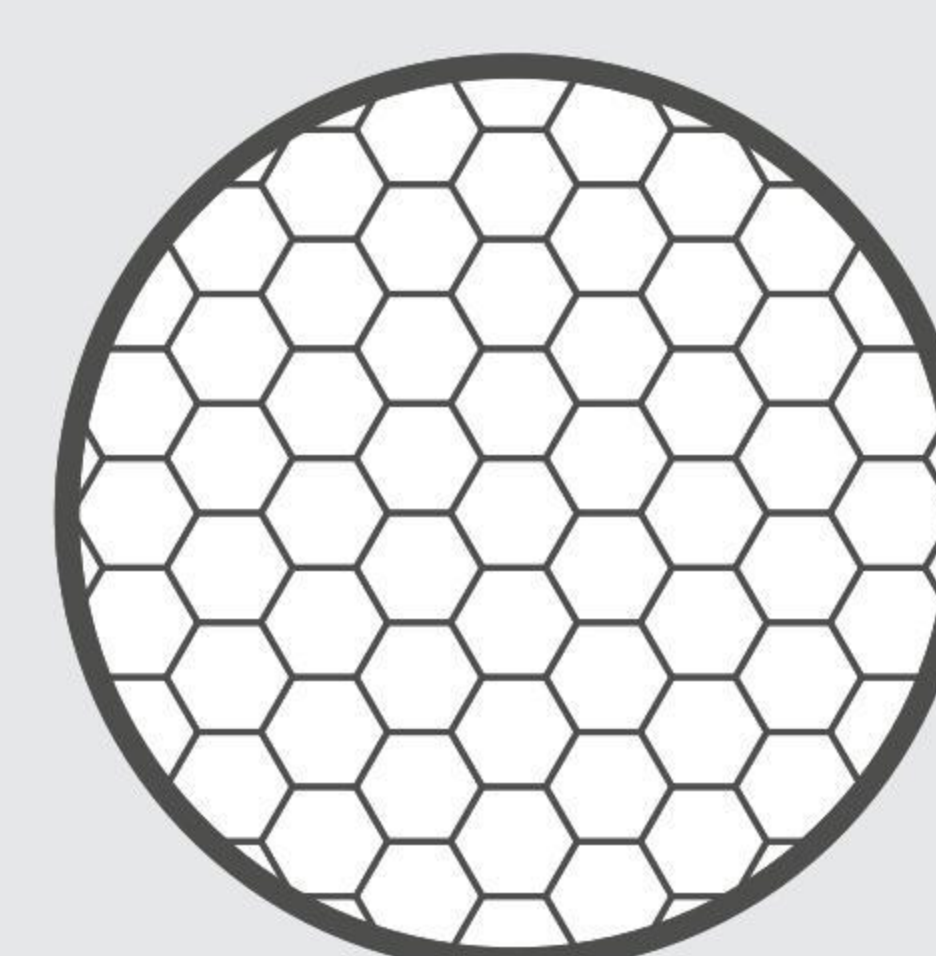
2700/4000/5000K CCT available on request

Finish color options :



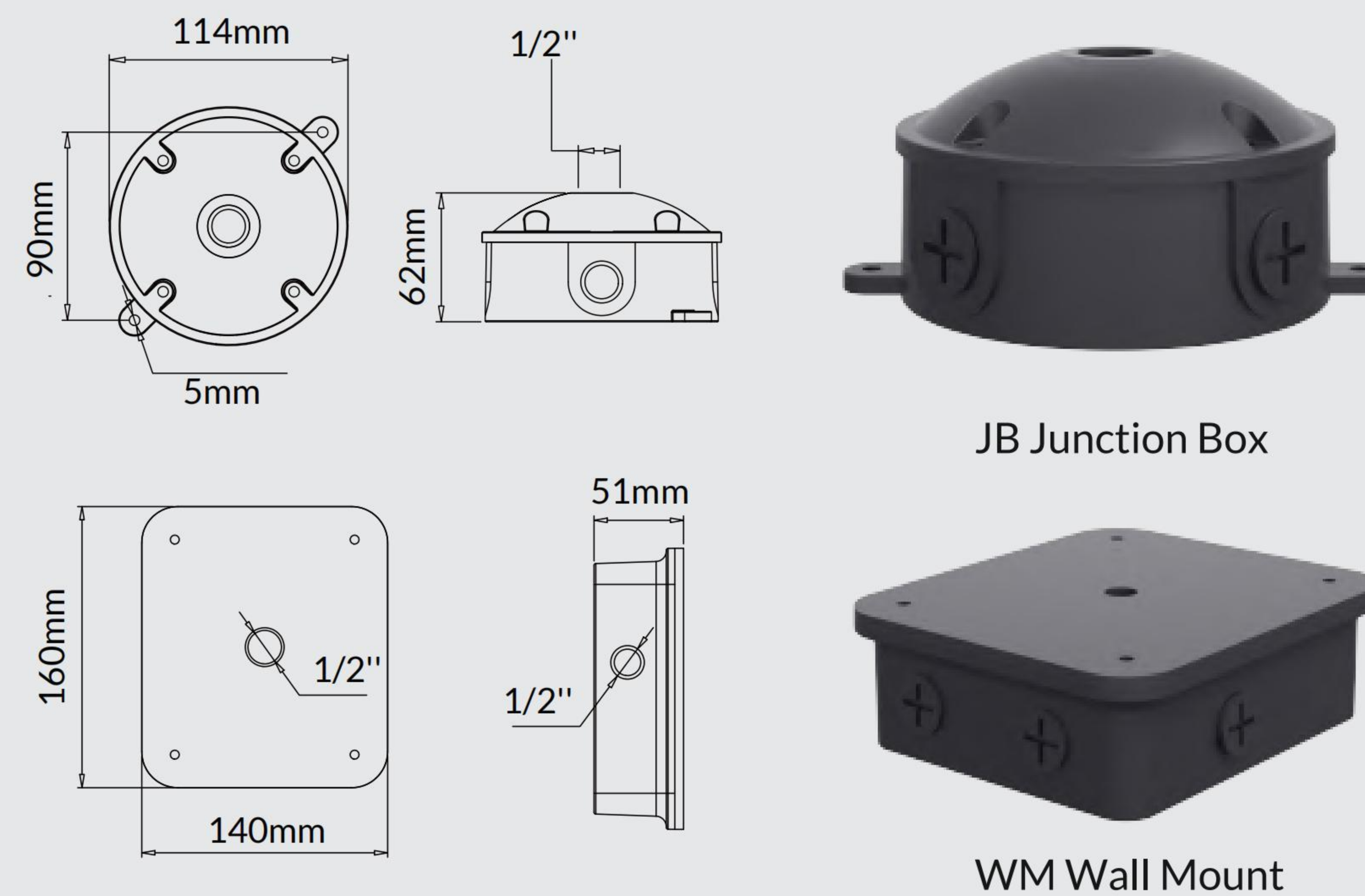
Customizable in different finishing colors

OPTICAL ACCESSORIES



Honeycomb louvre built into the lighting fixture

OPTION



Technical features

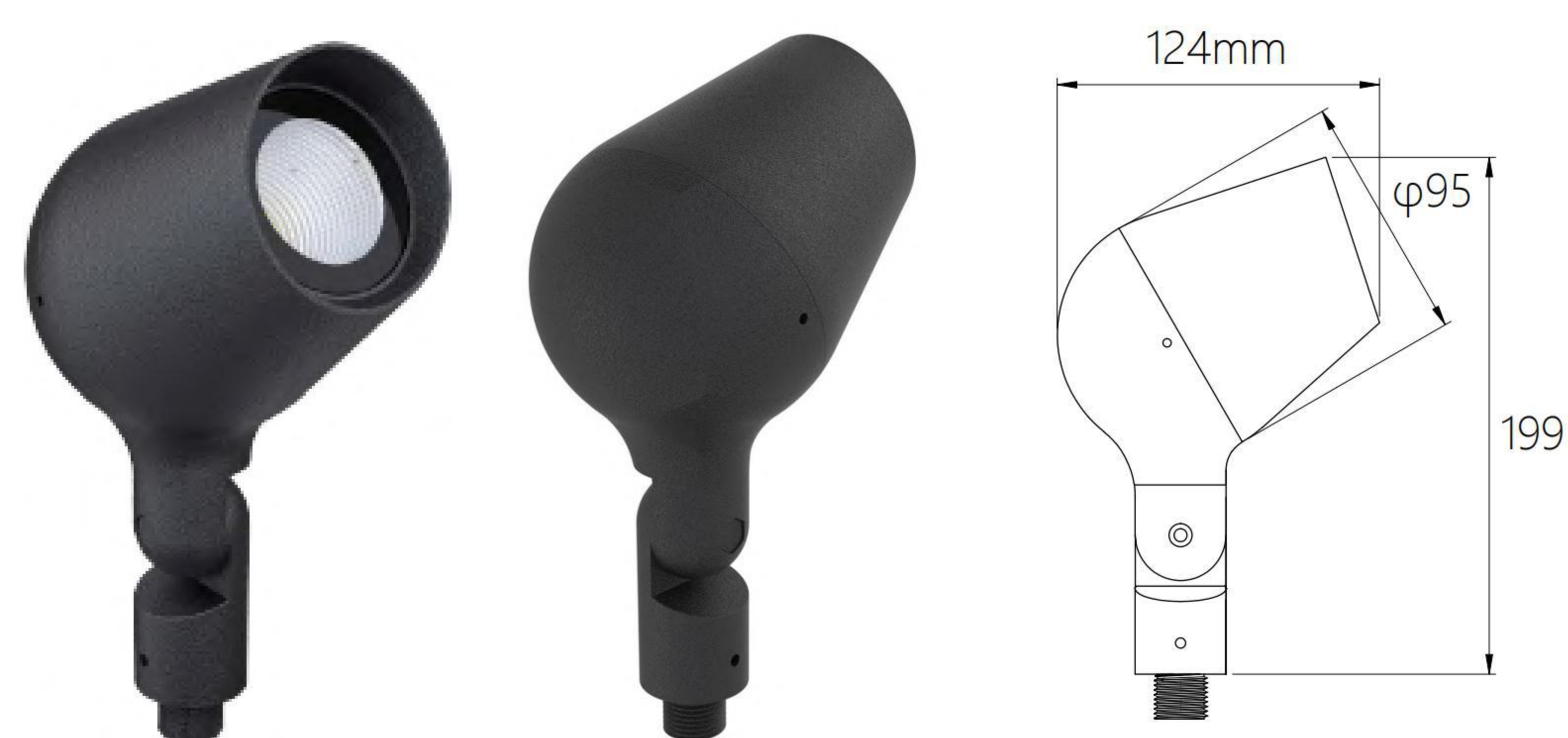


Technical data

Wattage	12W
IP Rating	IP66
IK Rating	IK06
Material	High corrosion resistance die-cast copper-free aluminum body
Coating	Polyester powder coating with phosphochromating pre-finish
Light source	1xCOB CRI>80
Standard Deviation Color Matching :MacAdam step 3	
Screws	Stainless steel
Transformer	Silicone rubber
Gasket	Electronic power supply DC 24V
Wireless transmission distance: 30m	
Power cable	0.5 mt. neoprene power cable included
Gross weight	1.2 Kg
Packaging size	33*27*31cm(6Pcs) 6.5kg

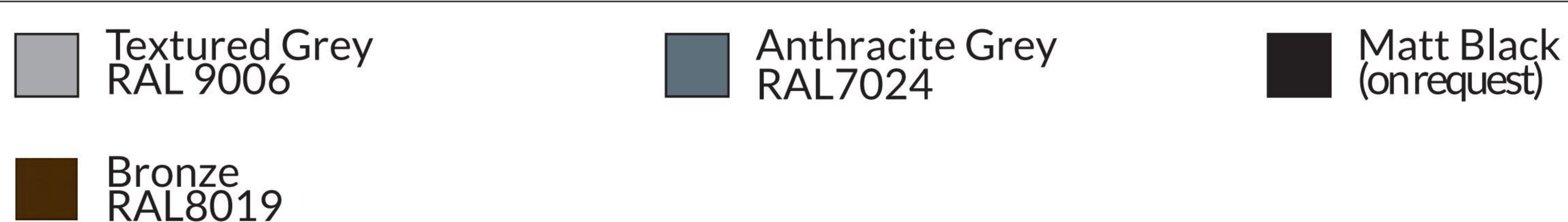


ROSE RGBW
EL-SL 2.0-RGBW



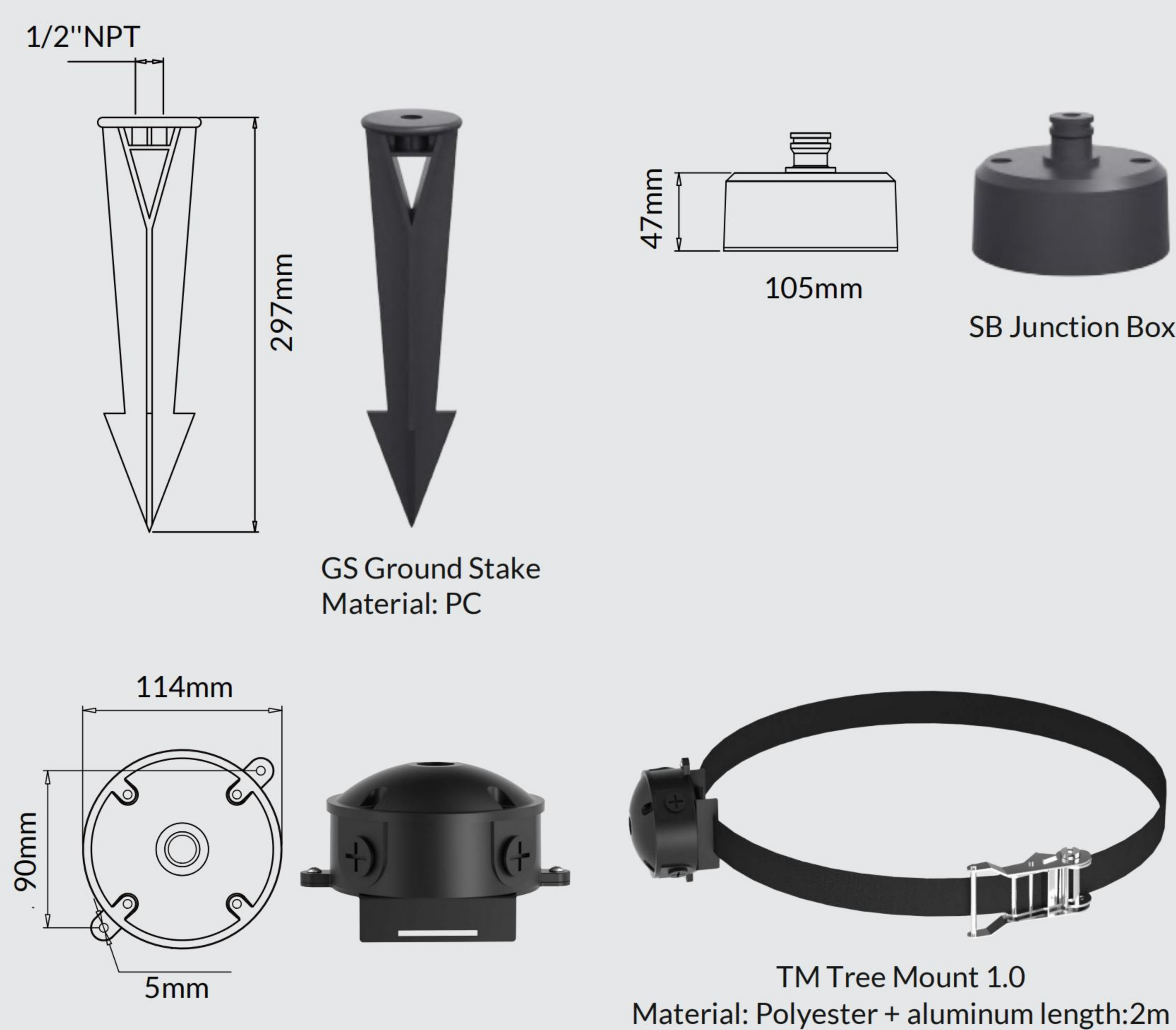
light source*	lumen output (lm)	lumin. efficacy (lm/w)	light beam options										
RGBW													
12W COB	396.0	33.00	<table border="1"> <tr><td>M</td><td>15°</td></tr> <tr><td>M</td><td>24°</td></tr> <tr><td>M</td><td>36°</td></tr> <tr><td>M</td><td>60°</td></tr> <tr><td>M</td><td>40*70°</td></tr> </table>	M	15°	M	24°	M	36°	M	60°	M	40*70°
M	15°												
M	24°												
M	36°												
M	60°												
M	40*70°												

Finish color options :

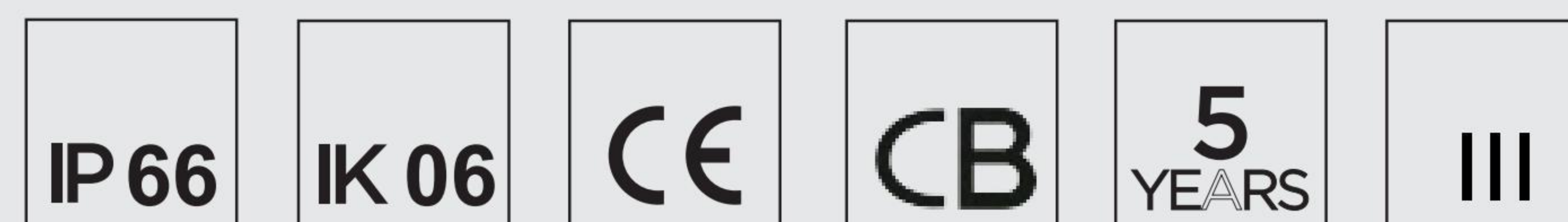


Customizable in different finishing colors

OPTION



Technical features



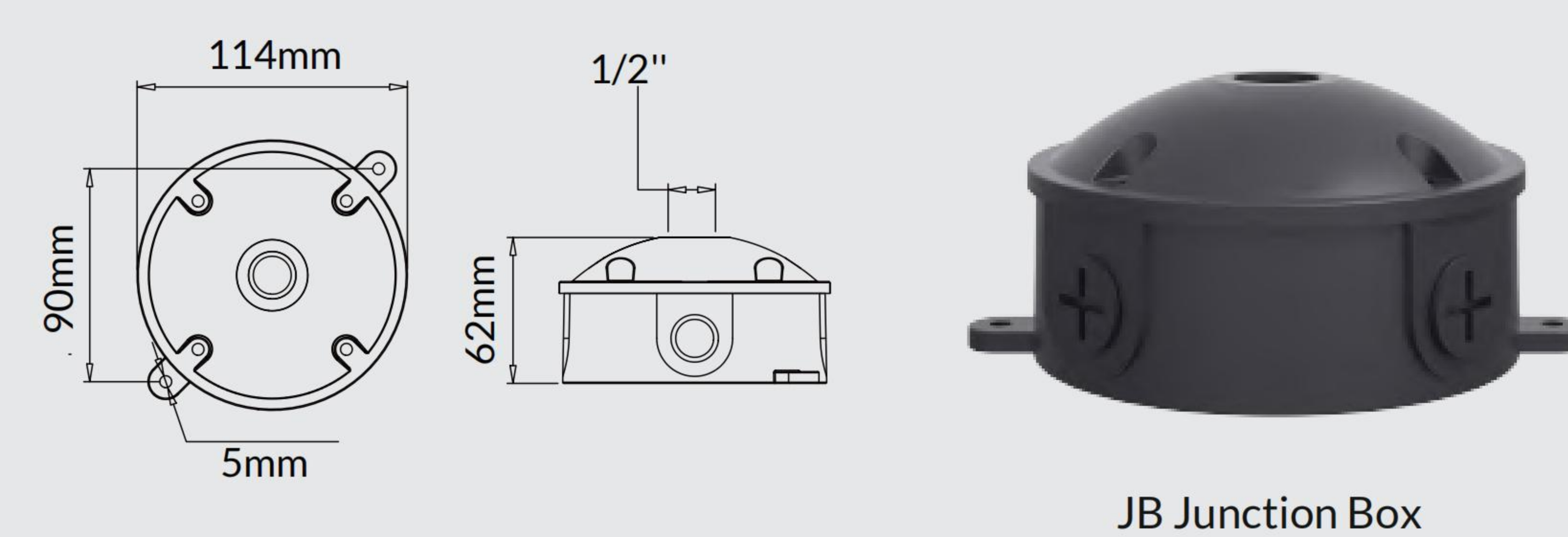
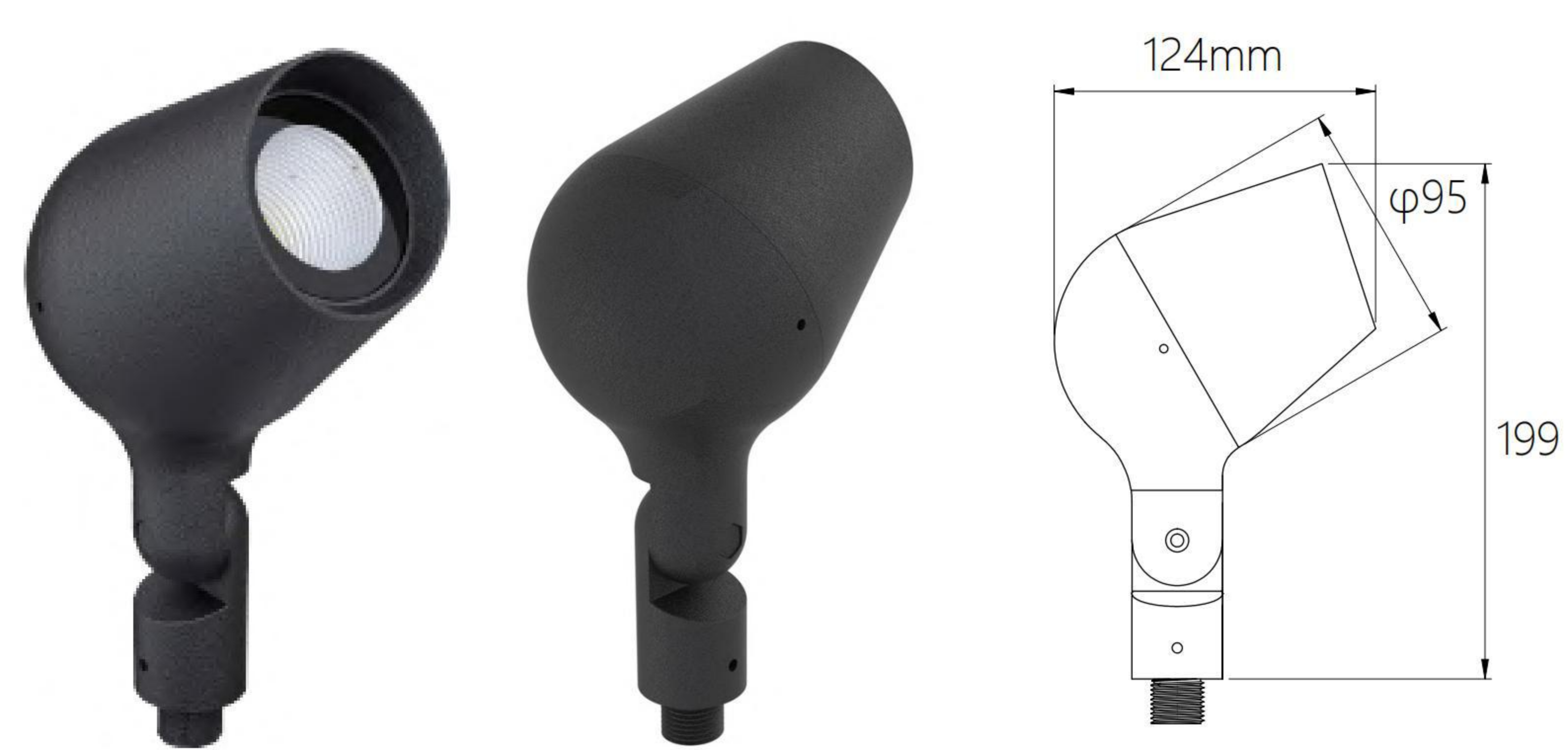
DMX512

Technical data

Wattage	12W
IP Rating	IP66
IK Rating	IK06
Material	High corrosion resistance die-cast copper-free aluminum body
Coating	Polyester powder coating with phosphocromating pre-finish
Light source	3x 3535LED CRI>80
Standard Deviation Color Matching	:MacAdam step 3
Screws	Stainless steel
Transformer	Silicone rubber
Gasket	Electronic power supply DC 24V
Power cable	0.5 mt. neoprene power cable included
Gross weight	1.2 Kg
Packaging size	33*27*31cm(6Pcs) 6.5kg



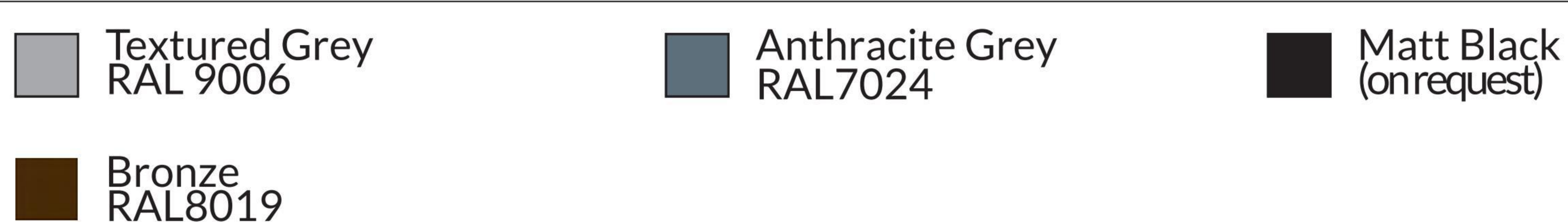
ROSE RGBW
EL-SL 2.0-RGBW-512



JB Junction Box

light source*	lumen output (lm)	lumin. efficacy (lm/w)	light beam options										
RGBW													
12W	396.0	33.00	<table border="1"> <tr><td>M</td><td>15°</td></tr> <tr><td>M</td><td>24°</td></tr> <tr><td>M</td><td>36°</td></tr> <tr><td>M</td><td>60°</td></tr> <tr><td>M</td><td>40*70°</td></tr> </table>	M	15°	M	24°	M	36°	M	60°	M	40*70°
M	15°												
M	24°												
M	36°												
M	60°												
M	40*70°												

Finish color options :



Customizable in different finishing colors



Technical features

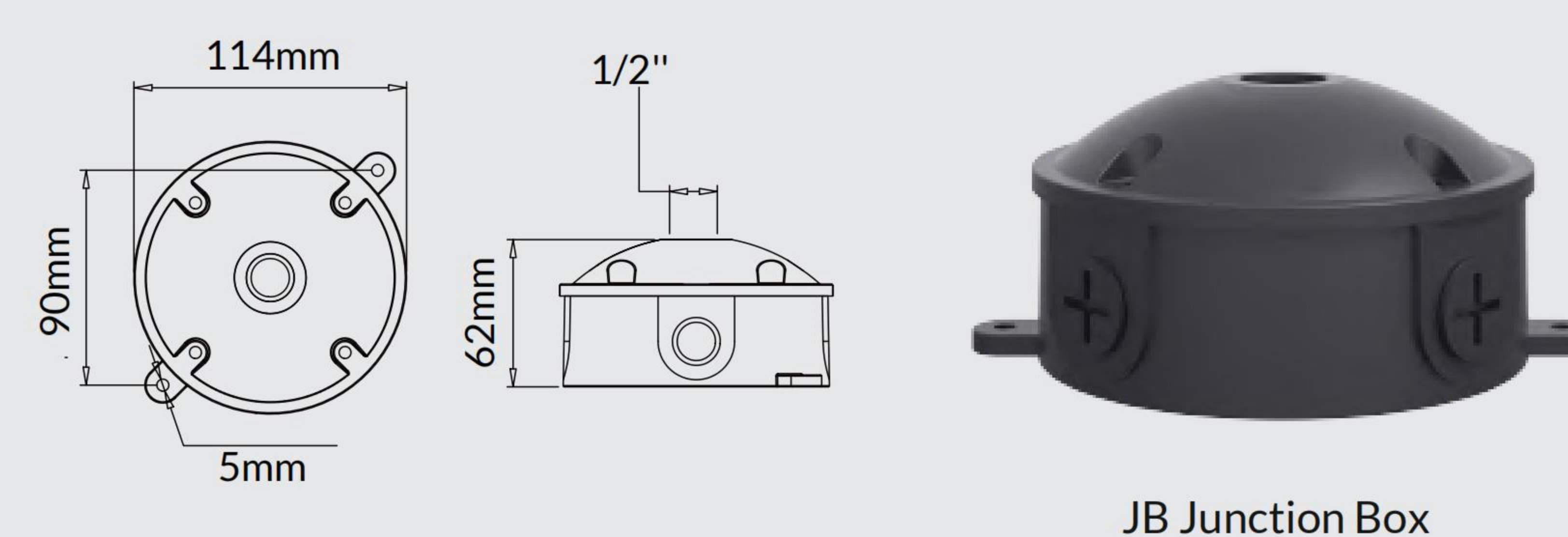
IP66 IK06 CE CB 5 YEARS III
DMX512

Technical data

Wattage	24/36W
IP Rating	IP66
IK Rating	IK06
Material	High corrosion resistance die-cast copper-free aluminum body
Coating	Polyester powder coating with phosphocromating pre-finish
Light source	8x 3535LED CRI>80
Standard Deviation Color Matching	:MacAdam step 3
Screws	Stainless steel
Transformer	Silicone rubber
Gasket	Electronic power supply DC 24V
Power Cables	Neoprene cable 5x0.75
Power cable	0.5 mt. neoprene power cable included
Gross weight	2.15 Kg
Packaging size	32*32*42cm 4PCS 8.2Kg

ROSE Pro RGBW

EL-SL 3.0-RGBW-512



JB Junction Box

light source*	lumen output (lm)	lumin. efficacy (lm/w)	light beam options
RGBW			
24W	792.0	33.00	15°
			24°
36W	1188.0		36°
			60°
			40*70°

Finish color options :

Textured Grey RAL 9006 Anthracite Grey RAL7024 Matt Black (onrequest)
Bronze RAL8019

Customizable in different finishing colors



Technical features

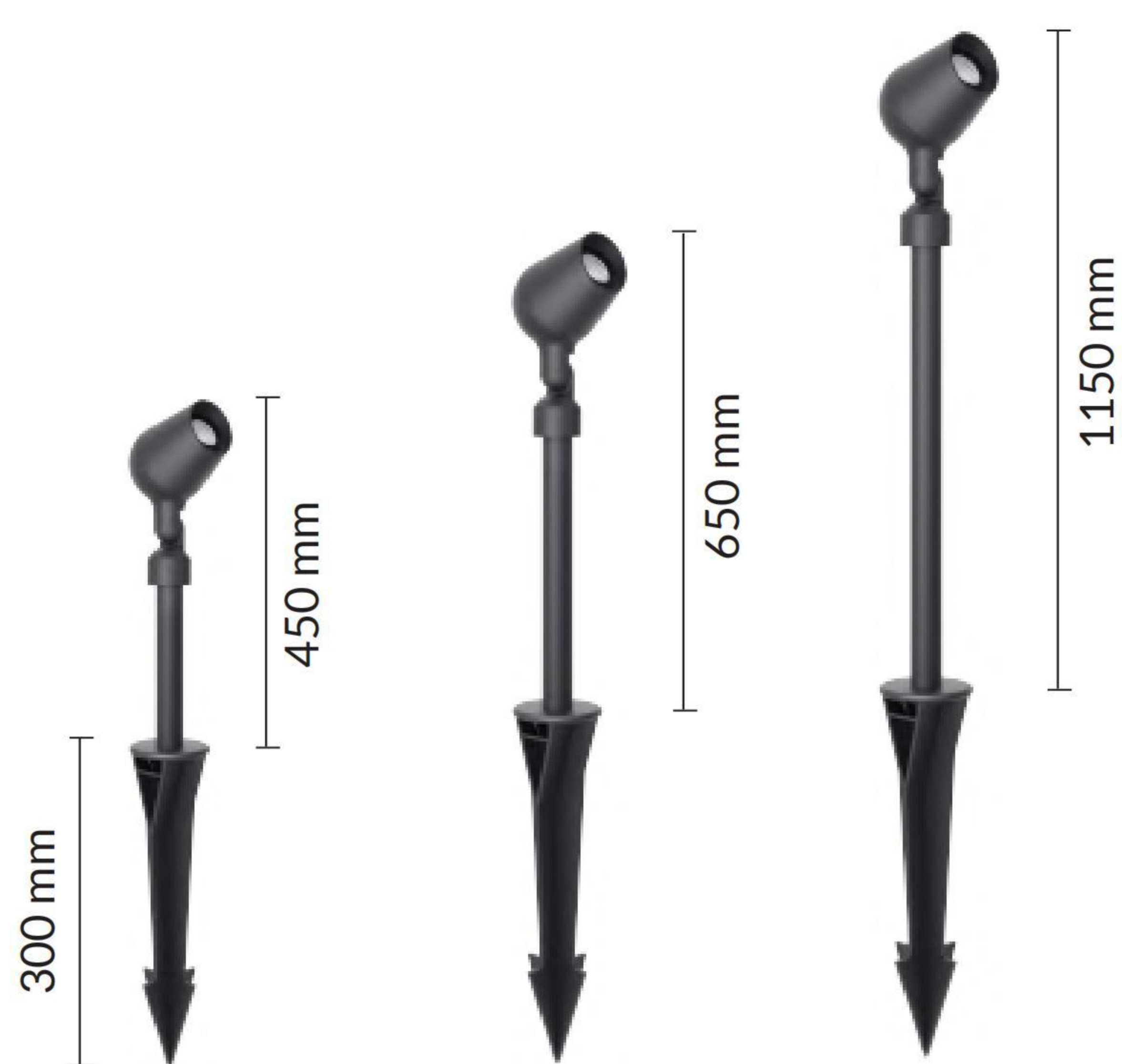


Technical data

Wattage	3/6/8W
IP Rating	IP66
IK Rating	IK06
Material	High corrosion resistance die-cast copper-free aluminum body
Coating	Polyester powder coating with phosphochromating pre-finish
Light source	1xCOB CRI>90
Standard Deviation Color Matching	:MacAdam step 3
Screws	Stainless steel
Transformer	Electronic power supply AC120-277V or DC12-24V
Gasket	Silicone rubber
Glass	Tempered
Power cable	0.5 mt. neoprene power cable included

ROSE Mini

EL-SL 1.2



φ25mm Extension arm 300 mm

Extension pipe length 300 mm made in anodized aluminum.

φ25mm Extension arm 500 mm

Extension pipe length 600 mm made in anodized aluminum.

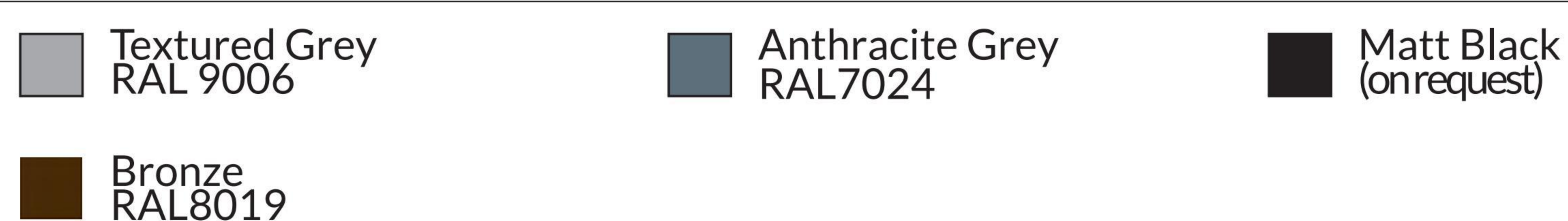
φ25mm Extension arm 1000 mm

Extension pipe length 1000 mm made in anodized aluminum.

light source*	lumen output (lm)	lumin. efficacy (lm/w)	light beam options
3000°K warm-white			
3W COB	240.0	80.0	M 15°
6W COB	480.0		M 24°
8W COB	640.0		M 36°
			M 40*70°

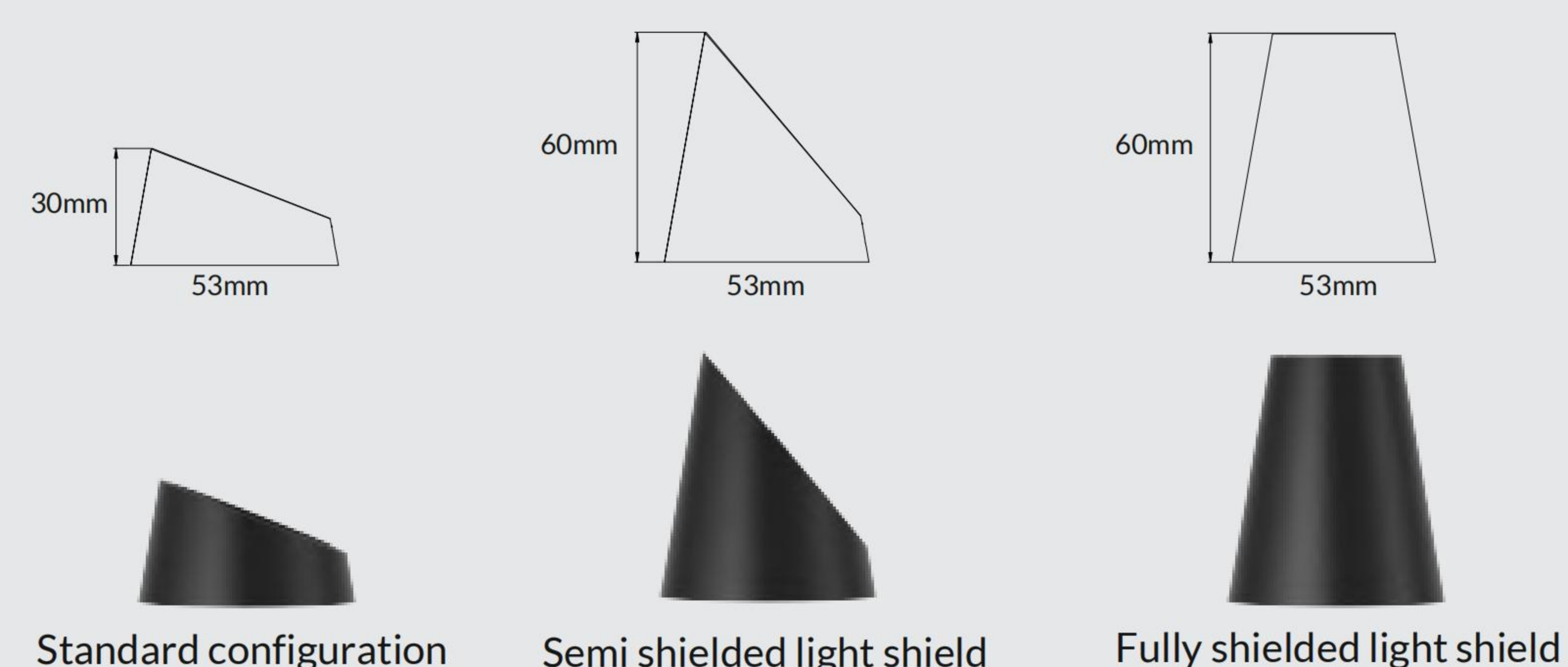
2700/4000/5000K CCT available on request

Finish color options :

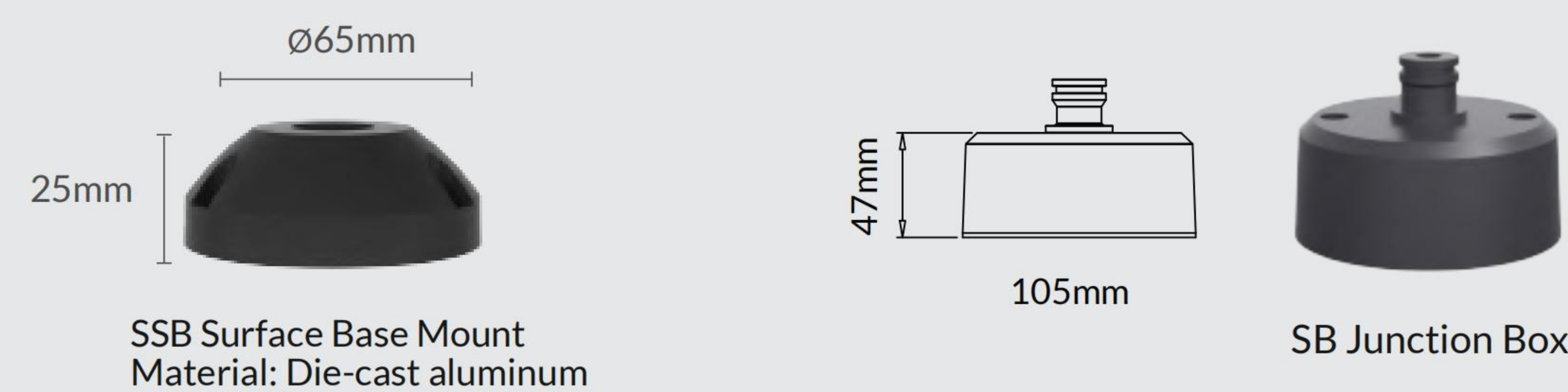


Customizable in different finishing colors

Option



* Different types of light shields can be replaced on site



Technical features



Technical data

Wattage	10/15/20W
IP Rating	IP66
IK Rating	IK06
Material	High corrosion resistance die-cast copper-free aluminum body
Coating	Polyester powder coating with phosphochromating pre-finish
Light source	1xCOB CRI>90
Standard Deviation Color Matching :MacAdam step 3	
Screws	Stainless steel
Transformer	Electronic power supply 220/240V 50/60Hz built-in or(AC120-277V)/(DC12-24V)
Gasket	Silicone rubber
Glass	Tempered
Power Cables	Neoprene cable 3x0.75
Power cable	0.5 mt. neoprene power cable included
Gross weight	1.2 Kg
Packaging size	33*27*31cm(6Pcs) 6.5kg

ROSE

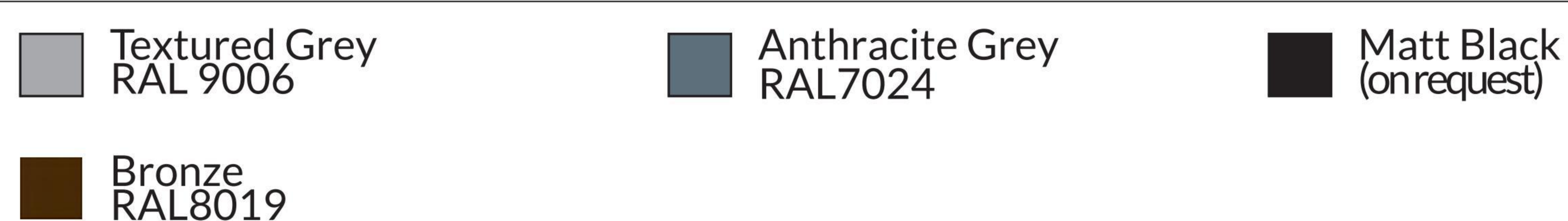
EL-SL 2.2



light source*	lumen output (lm)	lumin. efficacy (lm/w)	light beam options
3000°K warm-white			
10W COB	960.0	96.00	15°
15W COB	1440.0		24°
20W COB	1920.0		36°
			40*70°

2700/4000/5000K CCT available on request

Finish color options :

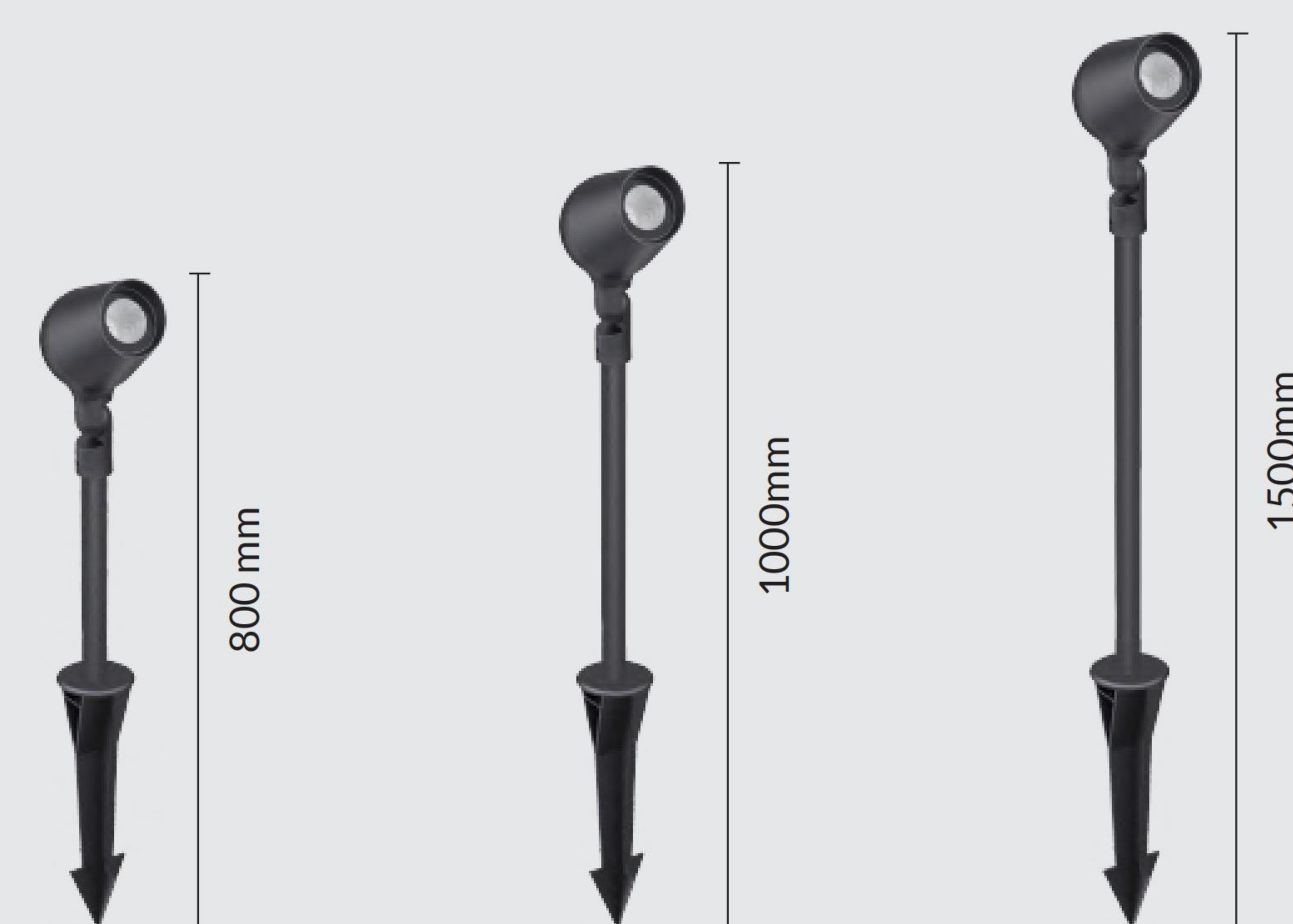


Customizable in different finishing colors

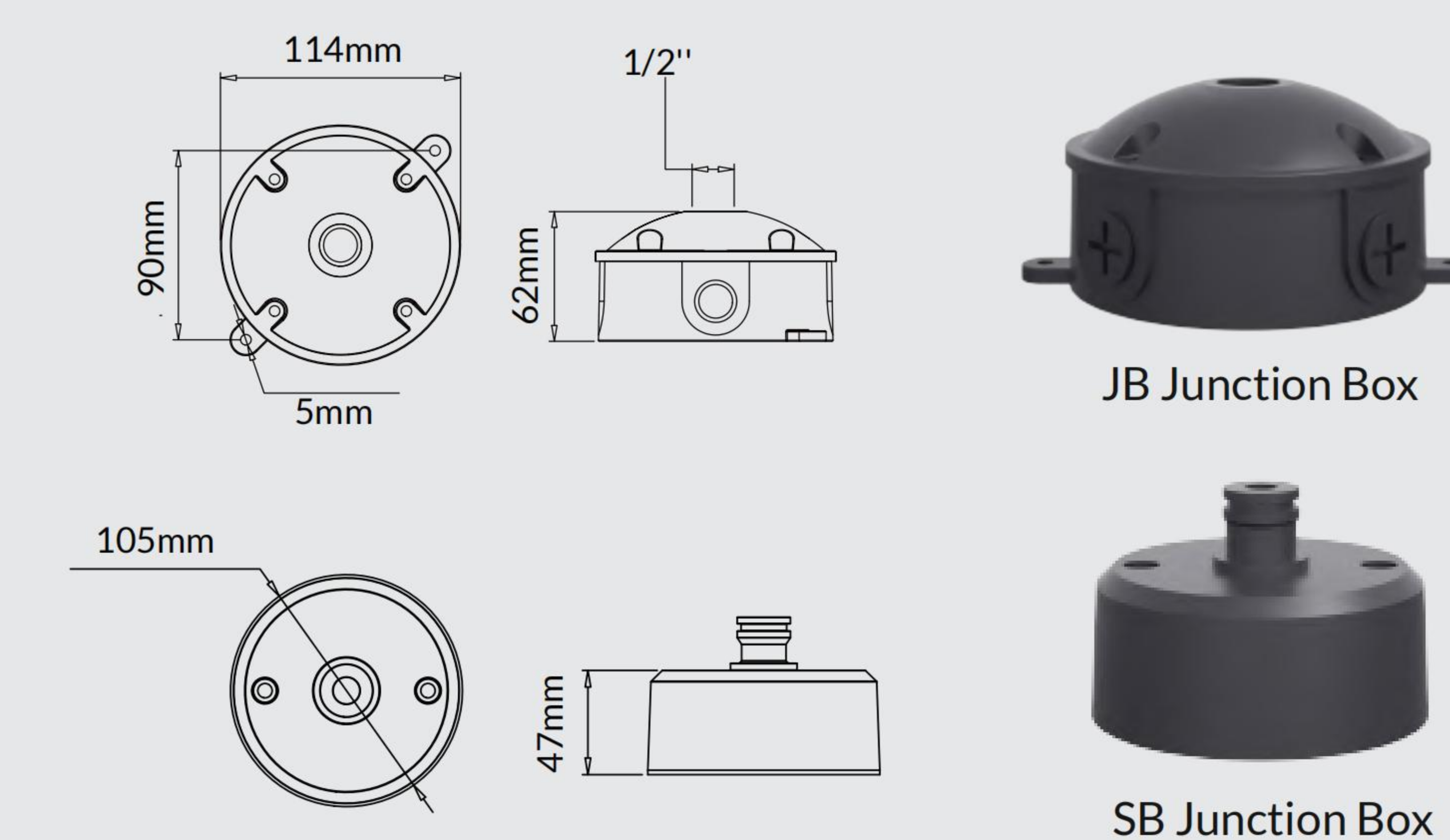
φ25mm Extension arm 300 mm
Extension pipe length 300 mm made in anodized aluminum.

φ25mm Extension arm 500 mm
Extension pipe length 600 mm made in anodized aluminum.

φ25mm Extension arm 1000 mm
Extension pipe length 900 mm made in anodized aluminum.



OPTION



Technical features

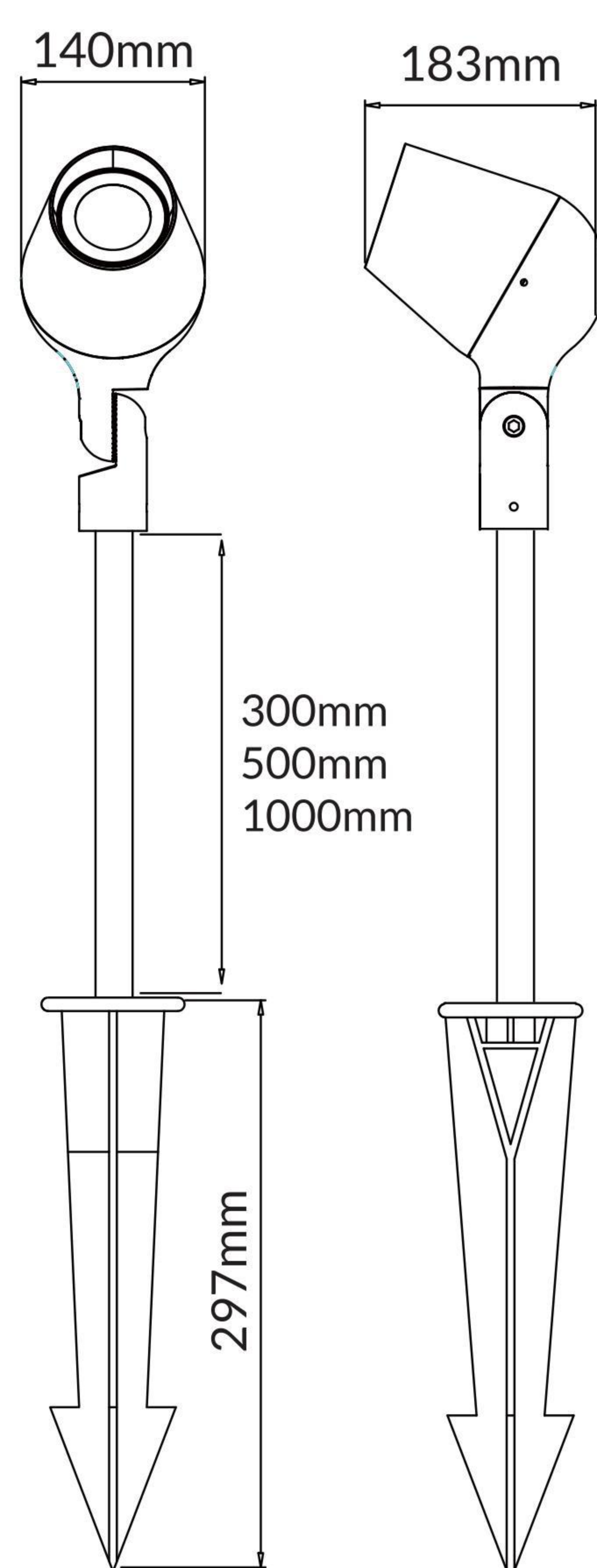


Technical data

Wattage	30/40/60W
IP Rating	IP66
IK Rating	IK06
Material	High corrosion resistance die-cast copper-free aluminum body
Coating	Polyester powder coating with phosphochromating pre-finish
Light source	1xCOB CRI>90
Standard Deviation Color Matching	:MacAdam step 3
Screws	Stainless steel
Transformer	Electronic power supply 220/240V 50/60Hz built-in or AC120-277V
Gasket	Silicone rubber
Glass	Tempered
Power cable	0.5 mt. neoprene power cable included
Gross weight	2.15 Kg
Packaging size	32*32*42cm 4PCS 8.6kg

ROSE Pro

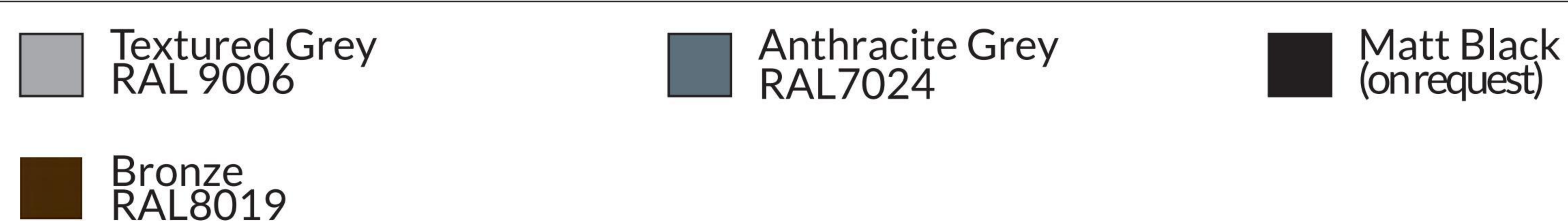
EL-SL 3.2



light source*	lumen output (lm)	lumin. efficacy (lm/w)	light beam options
3000°K warm-white			
30W COB	3000.0	100.00	15°
40W COB	4000.0		24°
60W COB	6000.0		36°
			40*70°

2700/4000/5000K CCT available on request

Finish color options :

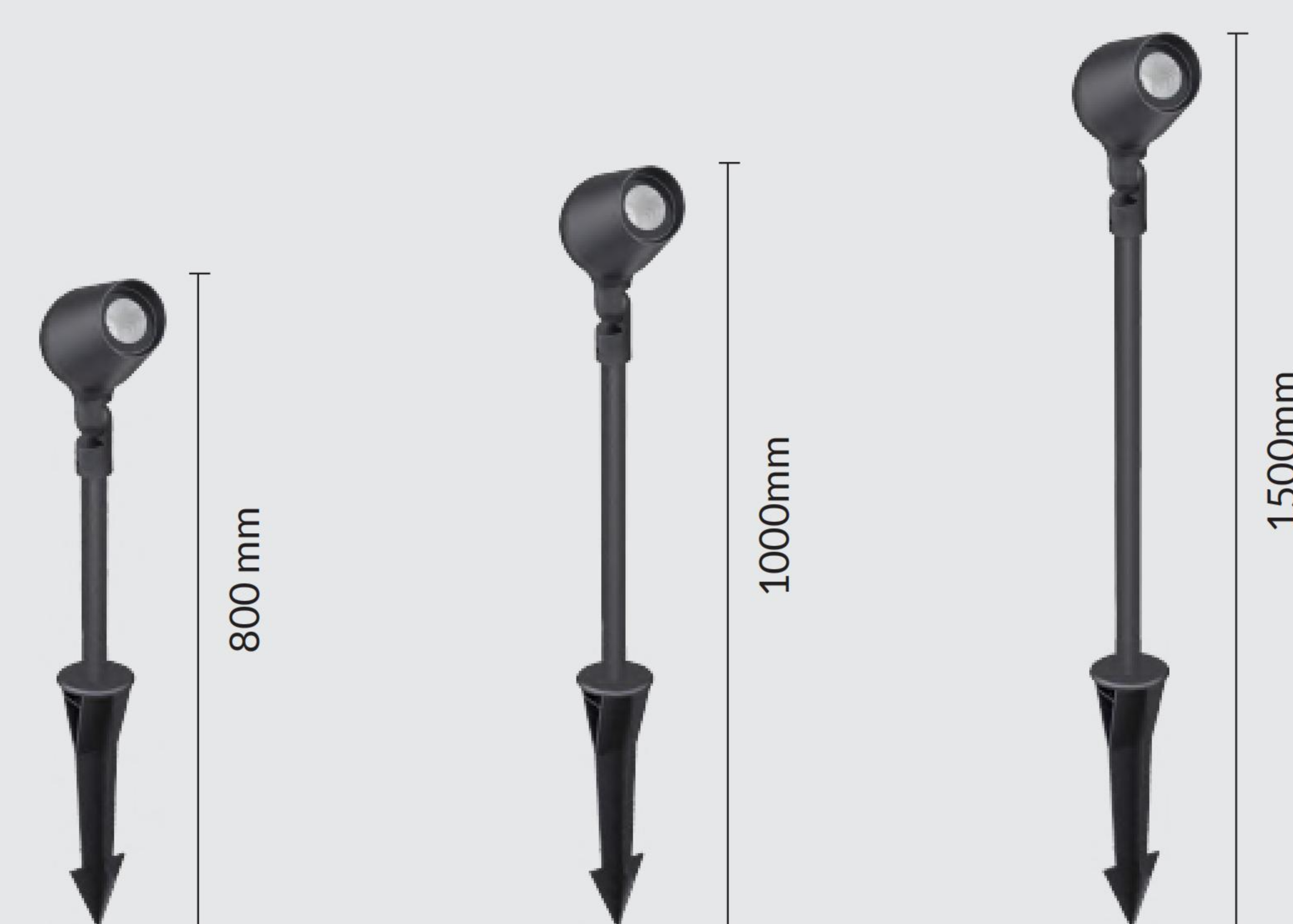


Customizable in different finishing colors

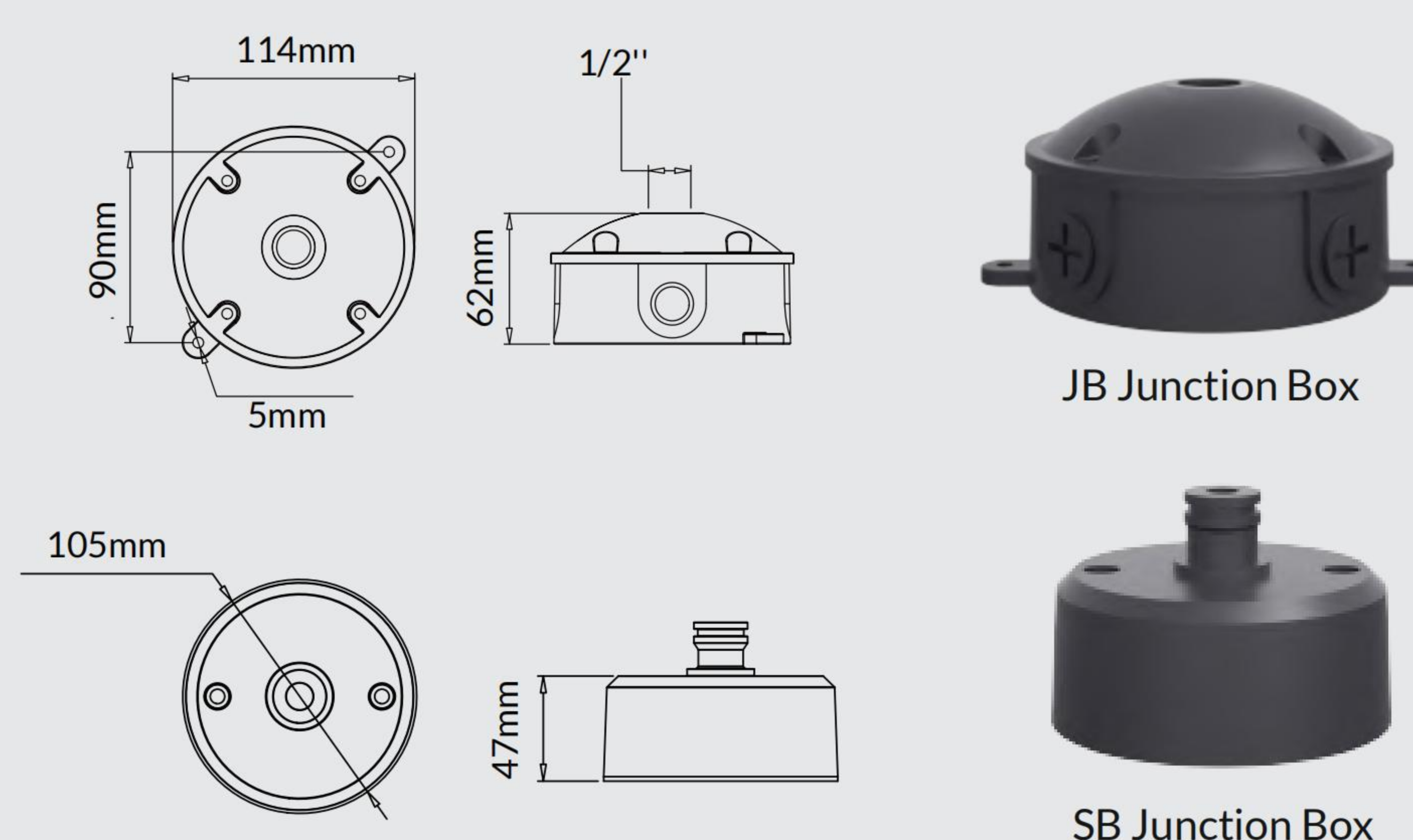
φ25mm Extension arm 300 mm
Extension pipe length 300 mm made in anodized aluminum.

φ25mm Extension arm 500 mm
Extension pipe length 600 mm made in anodized aluminum.

φ25mm Extension arm 1000 mm
Extension pipe length 1000 mm made in anodized aluminum.



OPTION



Technical features



Technical data

Wattage	3/6/8W
IP Rating	IP66
IK Rating	IK06
Material	High corrosion resistance die-cast copper-free aluminum body
Coating	Polyester powder coating with phosphocromating pre-finish
Light source	1xCOB CRI>90
Standard Deviation Color Matching	:MacAdam step 3
Screws	Stainless steel
Transformer	Electronic power supply AC120-277V or DC12-24V
Gasket	Silicone rubber
Glass	Tempered
Power cable	0.5 mt. neoprene power cable included
Gross weight	0.35 Kg
Packaging size	41*21*41cm(20pcs) 8.6kg

ROSE Mini

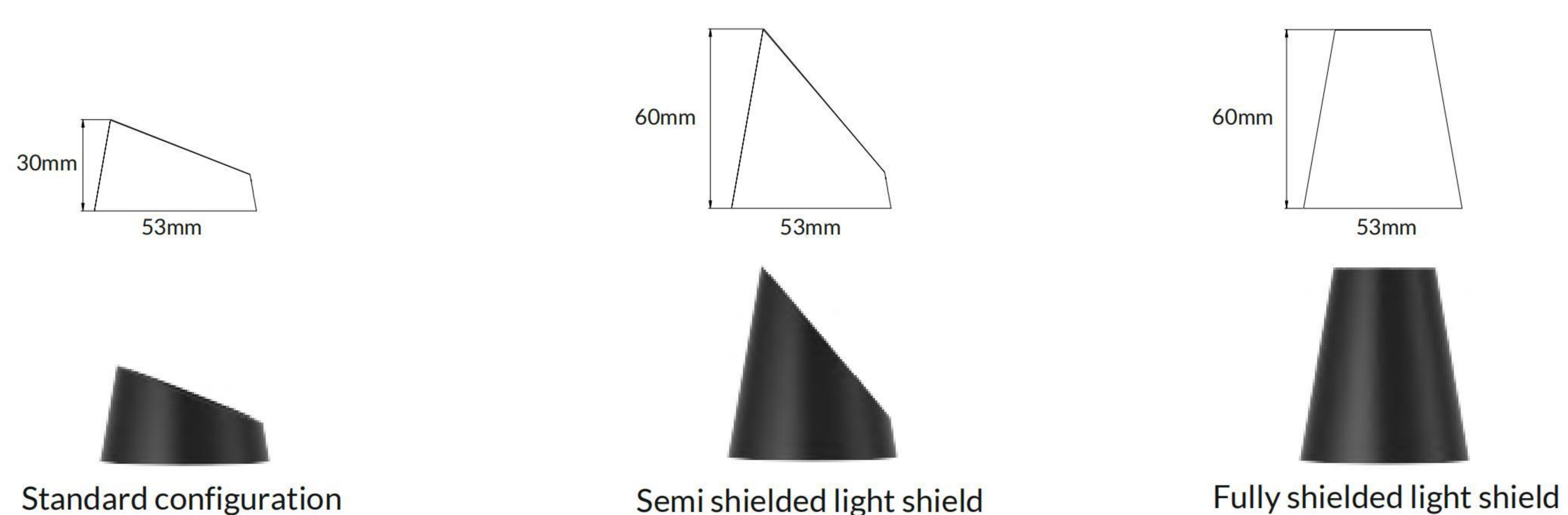
EL-SL 1.3



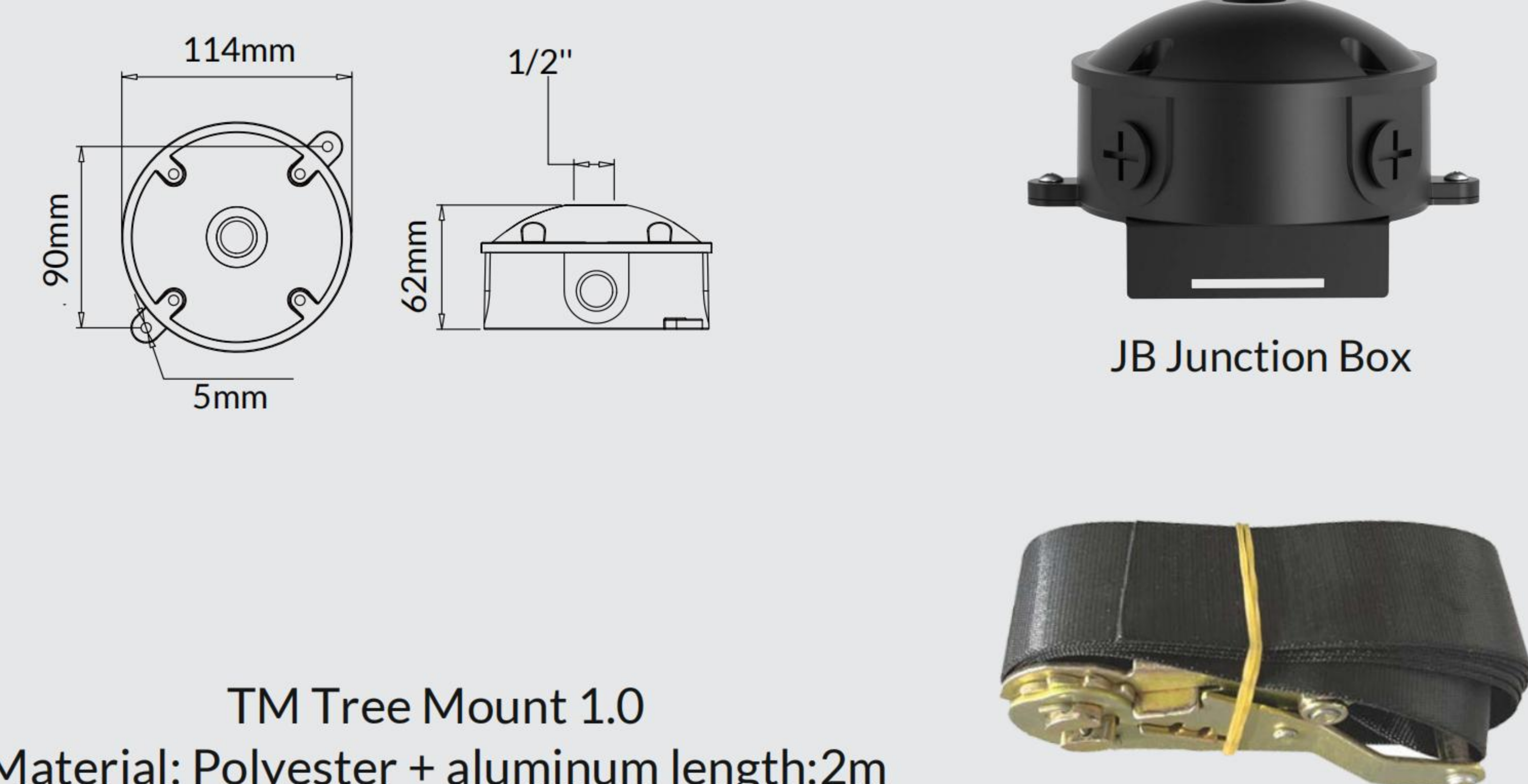
light source*	lumen output (lm)	lumin. efficacy (lm/w)	light beam options
3000°K warm-white			
3W COB	240.0	80.0	15°
6W COB	480.0		24°
8W COB	640.0		36°
			40*70°

2700/4000/5000K CCT available on request

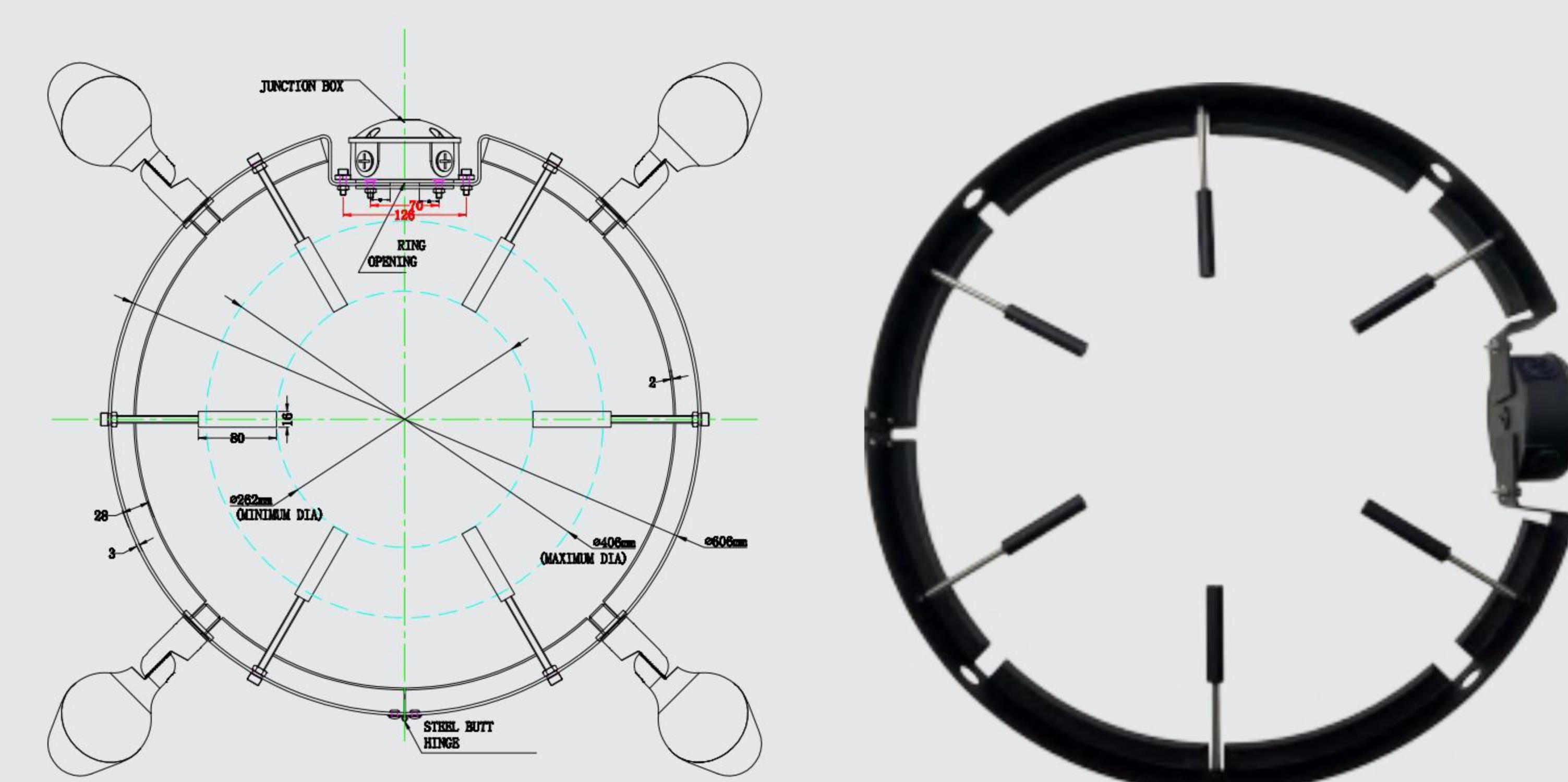
Option



OPTION



TM Tree Mount 1.0
Material: Polyester + aluminum length:2m



TM Tree Mount 2.0
Material: 304 stainless steel ring + die-casting aluminum waterproof box



Technical features



Technical data

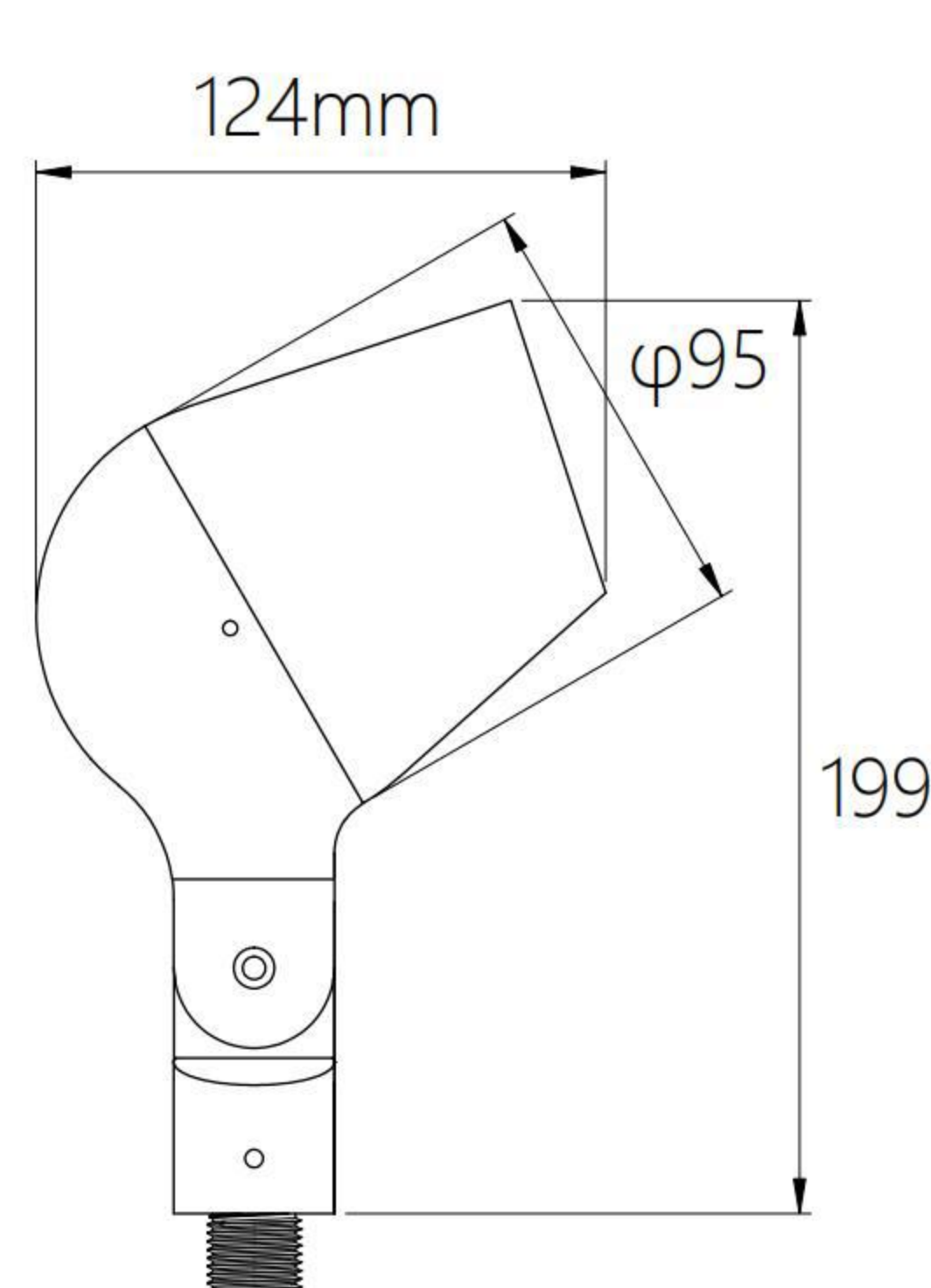
Wattage	10/15/20W
IP Rating	IP66
IK Rating	IK06
Material	High corrosion resistance die-cast copper-free aluminum body
Coating	Polyester powder coating with phosphochromating pre-finish
Light source	1xCOB CRI>90
Standard Deviation Color Matching	:MacAdam step 3
Screws	Stainless steel
Transformer	Electronic power supply 220/240V 50/60Hz built-in or(AC120-277V)/(DC12-24V)
Gasket	Silicone rubber
Glass	Tempered
Power cable	0.5 mt. neoprene power cable included
Gross weight	1.2 Kg
Packaging size	33*27*31cm(6Pcs) 6.5kg



Tree Ring Installation

ROSE

EL-SL 2.3



light source*	lumen output (lm)	lumin. efficacy (lm/w)	light beam options
3000°K warm-white			
10W COB	960.0	96.00	M 15°
15W COB	1440.0		M 24°
20W COB	1920.0		M 36°
			M 60°
			M 40*70°

2700/4000/5000K CCT available on request

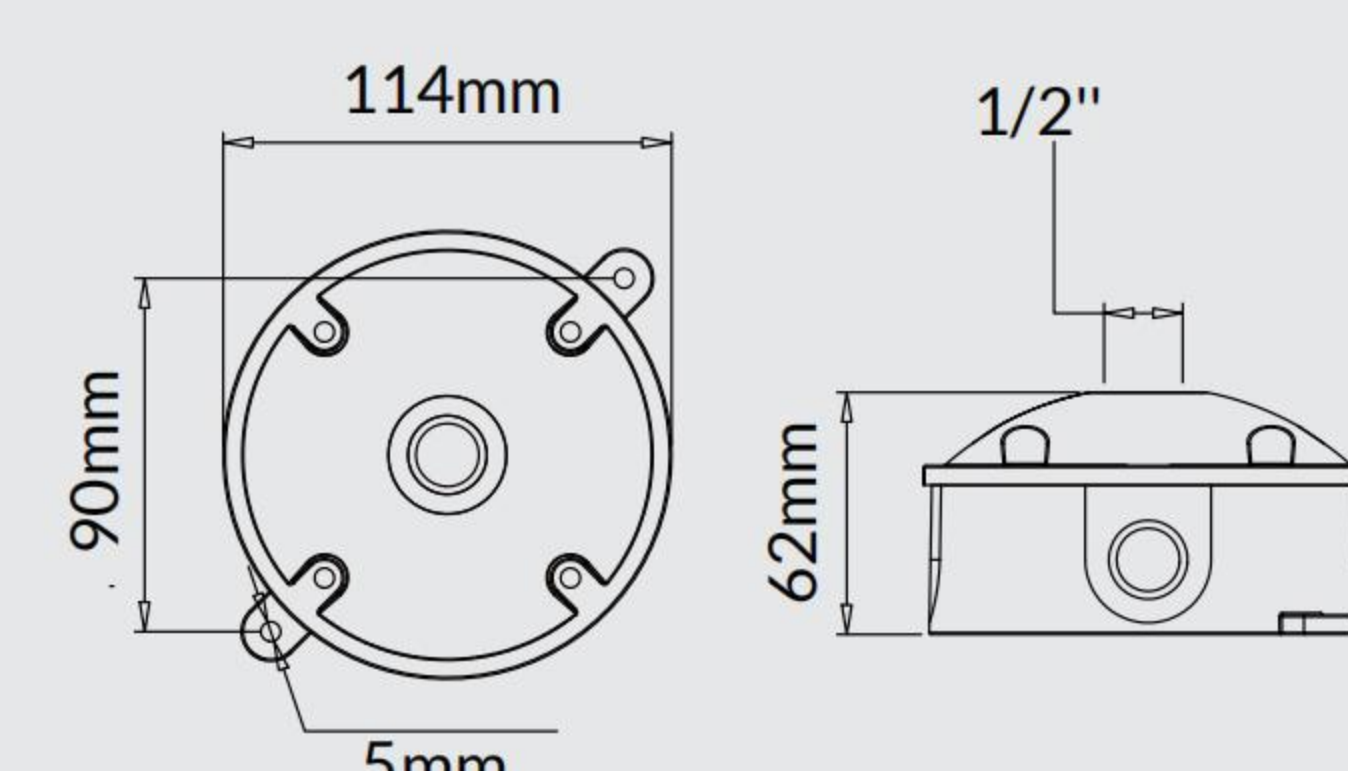
Finish color options :



Customizable in different finishing colors

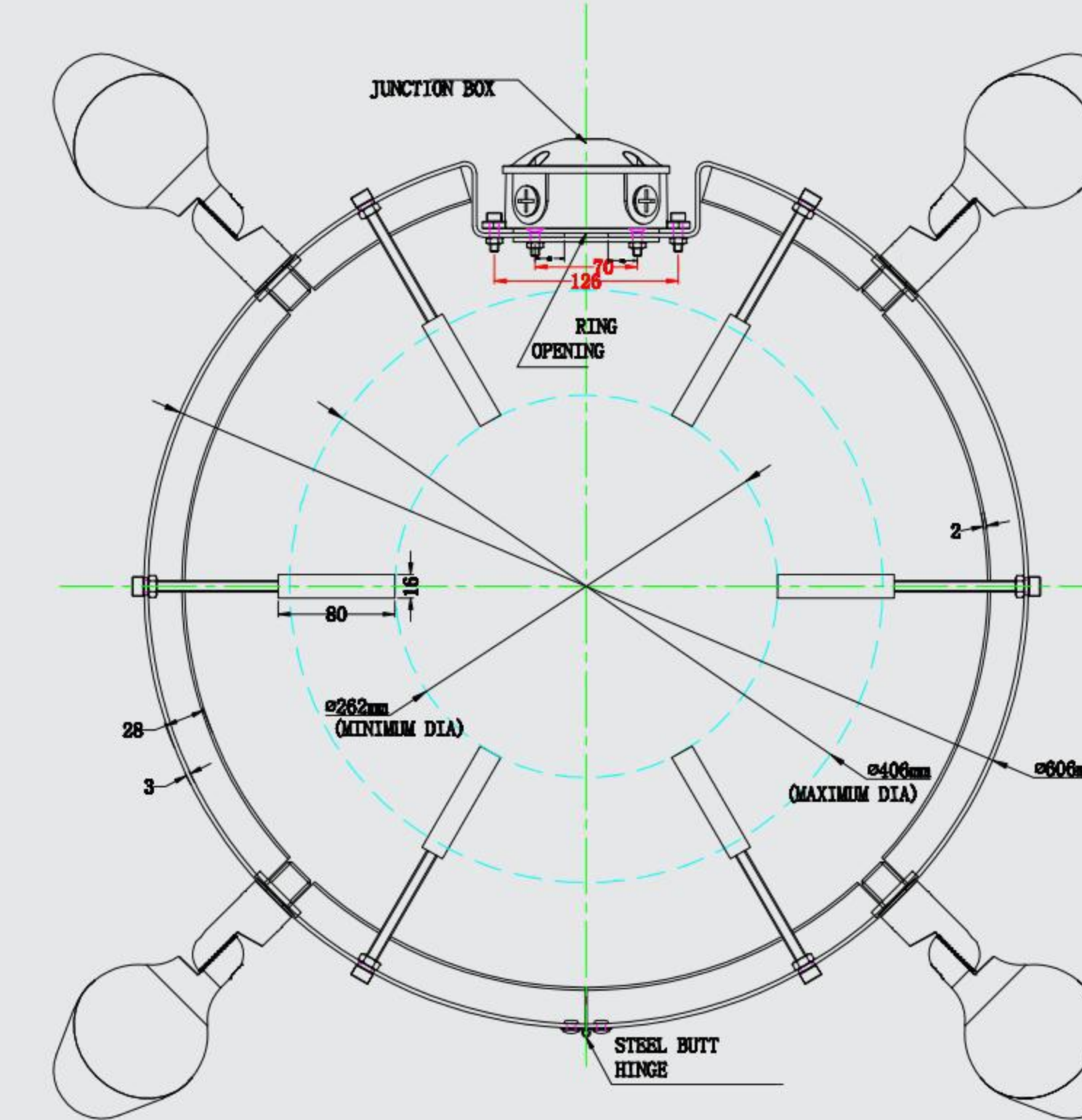
*Different tree ring sizes can be customized according to needs

OPTION

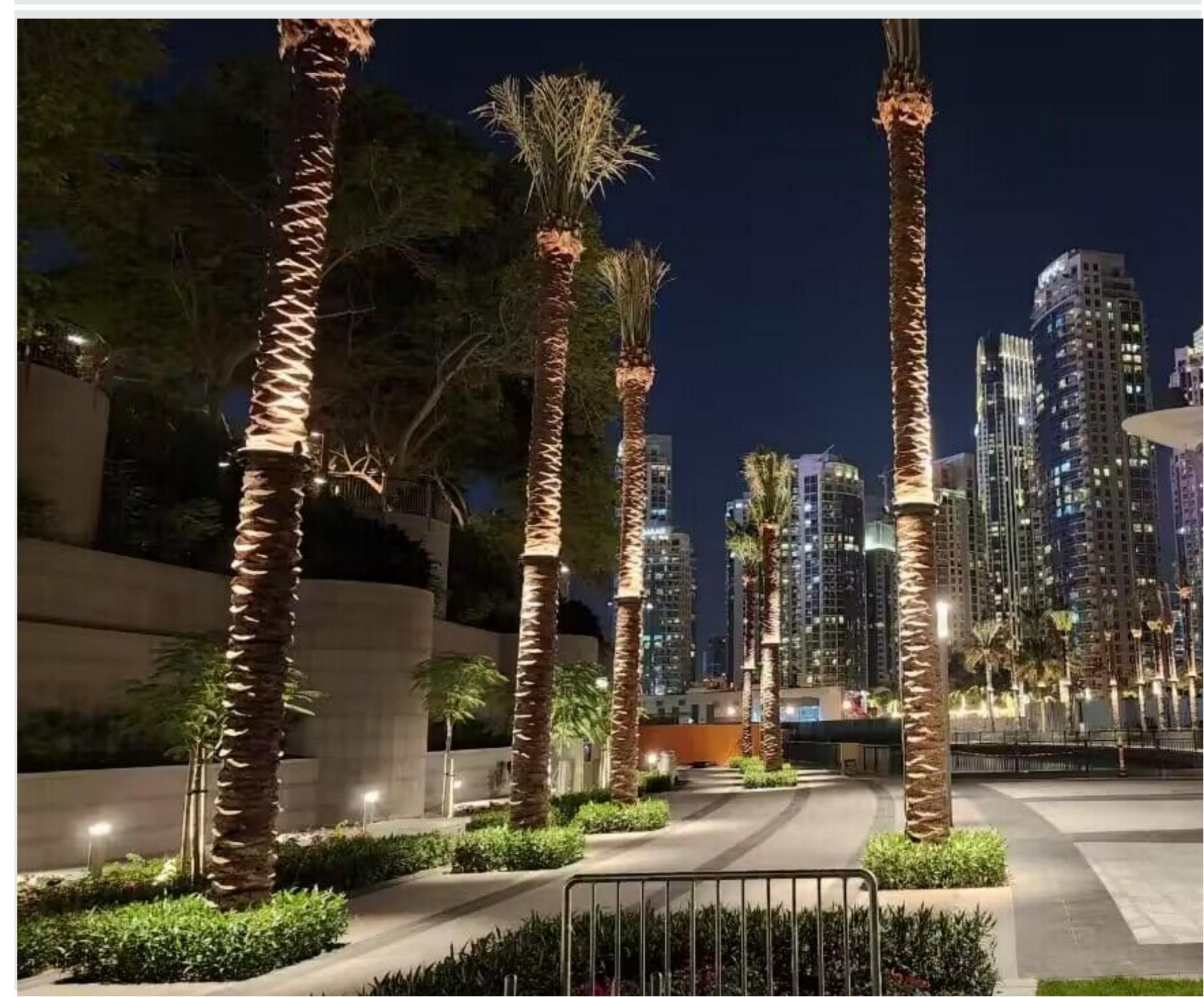


JB Junction Box

TM Tree Mount 1.0
Material: Polyester + aluminum length:2m



TM Tree Mount 2.0
Material: 304 stainless steel ring + die-casting aluminum waterproof box



Technical features



Technical data

Wattage	30/40/60W
IP Rating	IP66
IK Rating	IK06
Material	High corrosion resistance die-cast copper-free aluminum body
Coating	Polyester powder coating with phosphochromating pre-finish
Light source	1xCOB CRI>90
Standard Deviation Color Matching	:MacAdam step 3
Screws	Stainless steel
Transformer	Electronic power supply 220/240V 50/60Hz built-in or AC120-277V
Gasket	Silicone rubber
Glass	Tempered
Power cable	0.5 mt. neoprene power cable included
Gross weight	2.15 Kg
Packaging size	32*32*42cm 4PCS 8.6kg



Tree Ring Installation

ROSE Pro

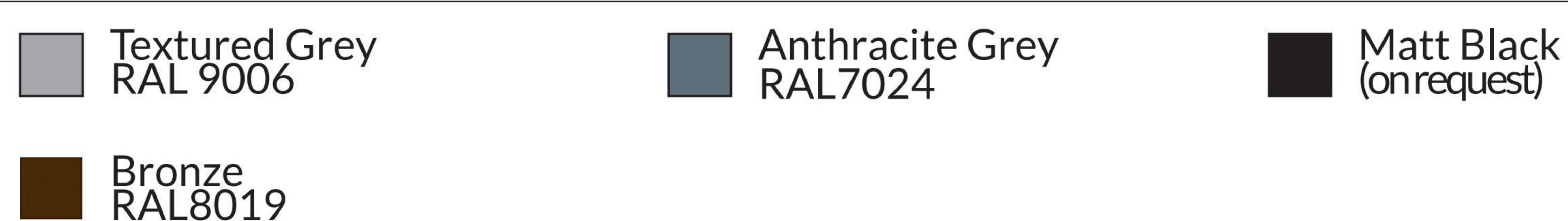
EL-SL 3.3



light source*	lumen output (lm)	lumin. efficacy (lm/w)	light beam options
3000°K warm-white			
30W COB	3000.0	100.00	M 15°
40W COB	4000.0		M 24°
60W COB	6000.0		M 36°
			M 40*70°

2700/4000/5000K CCT available on request

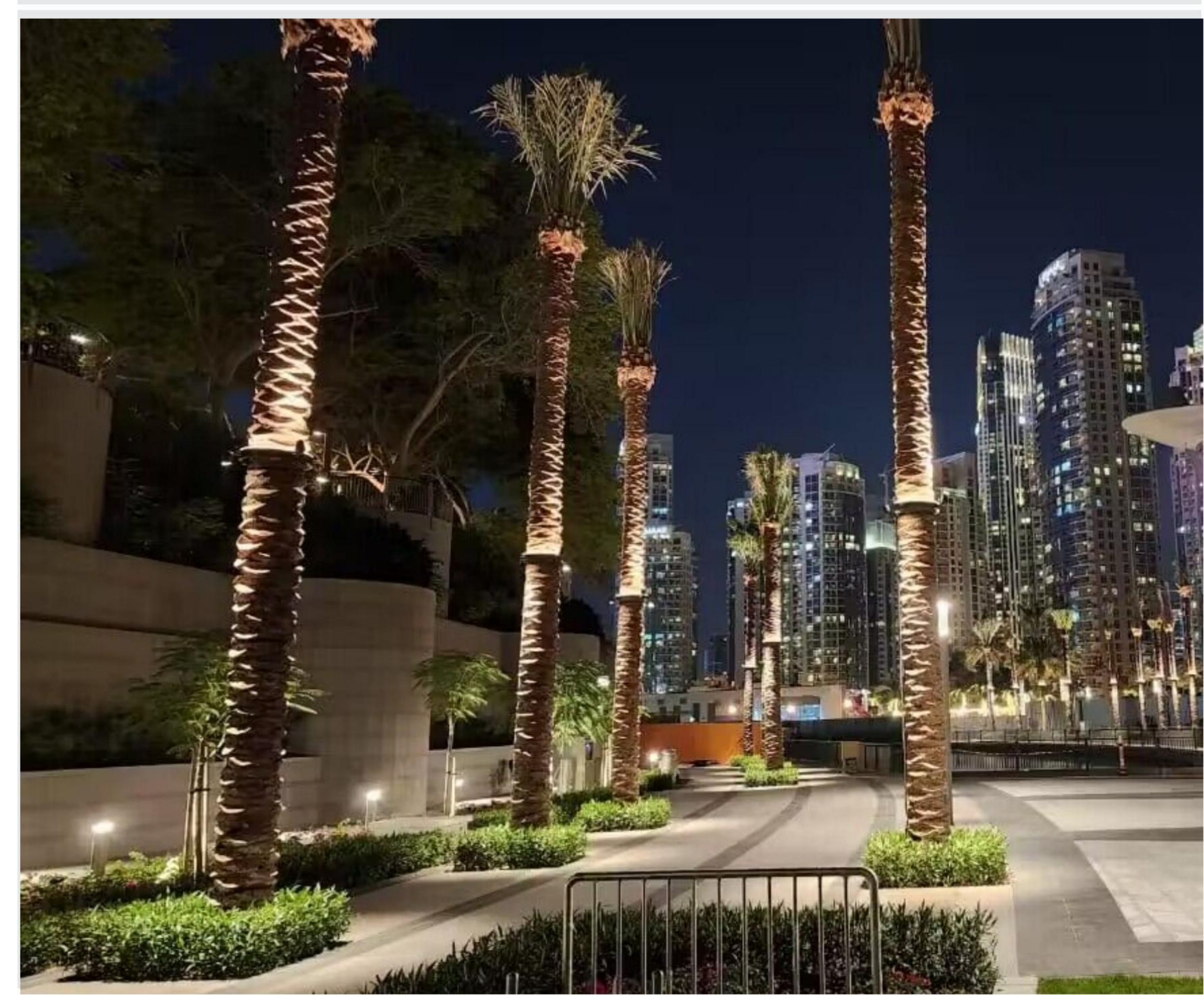
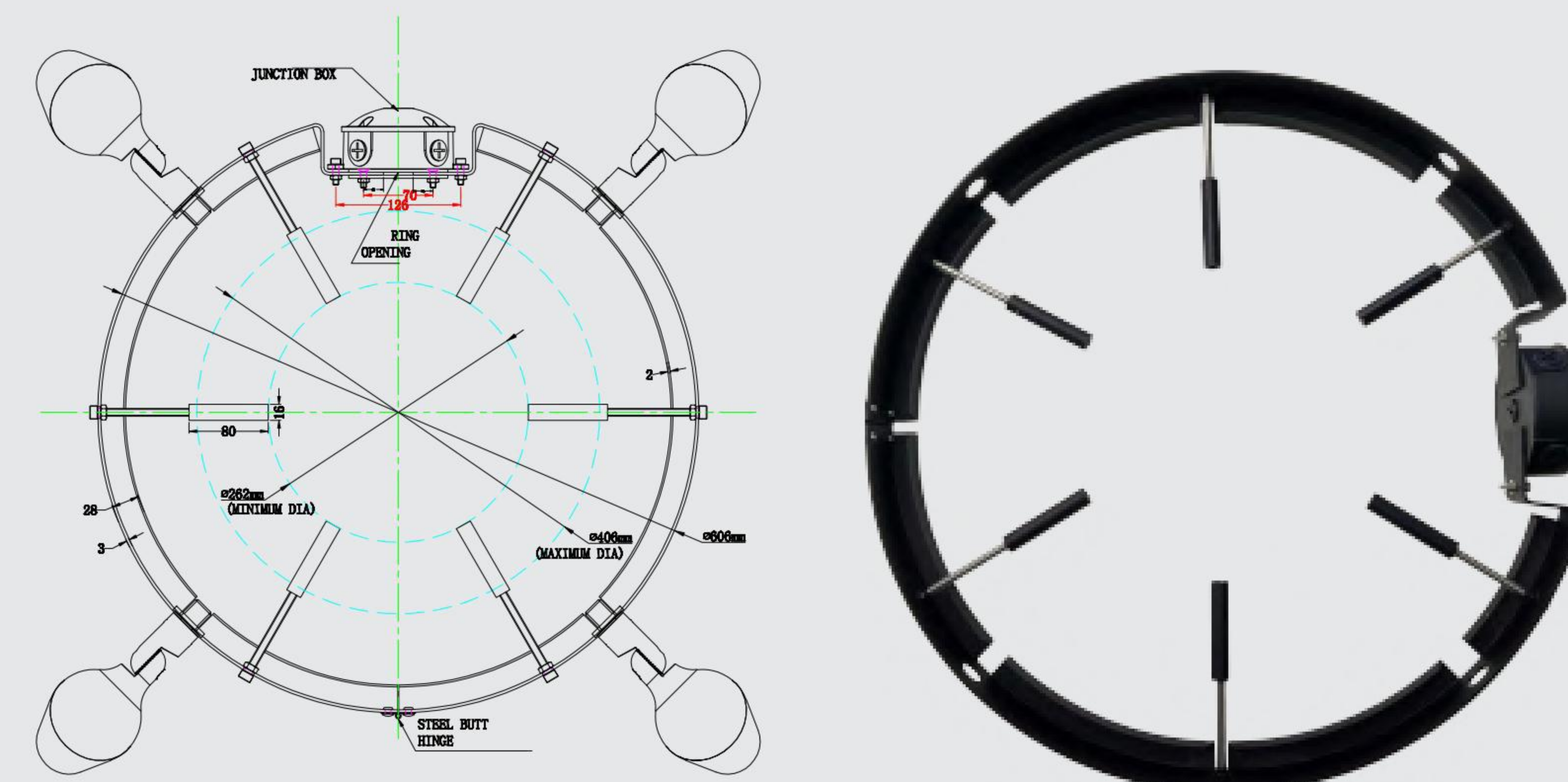
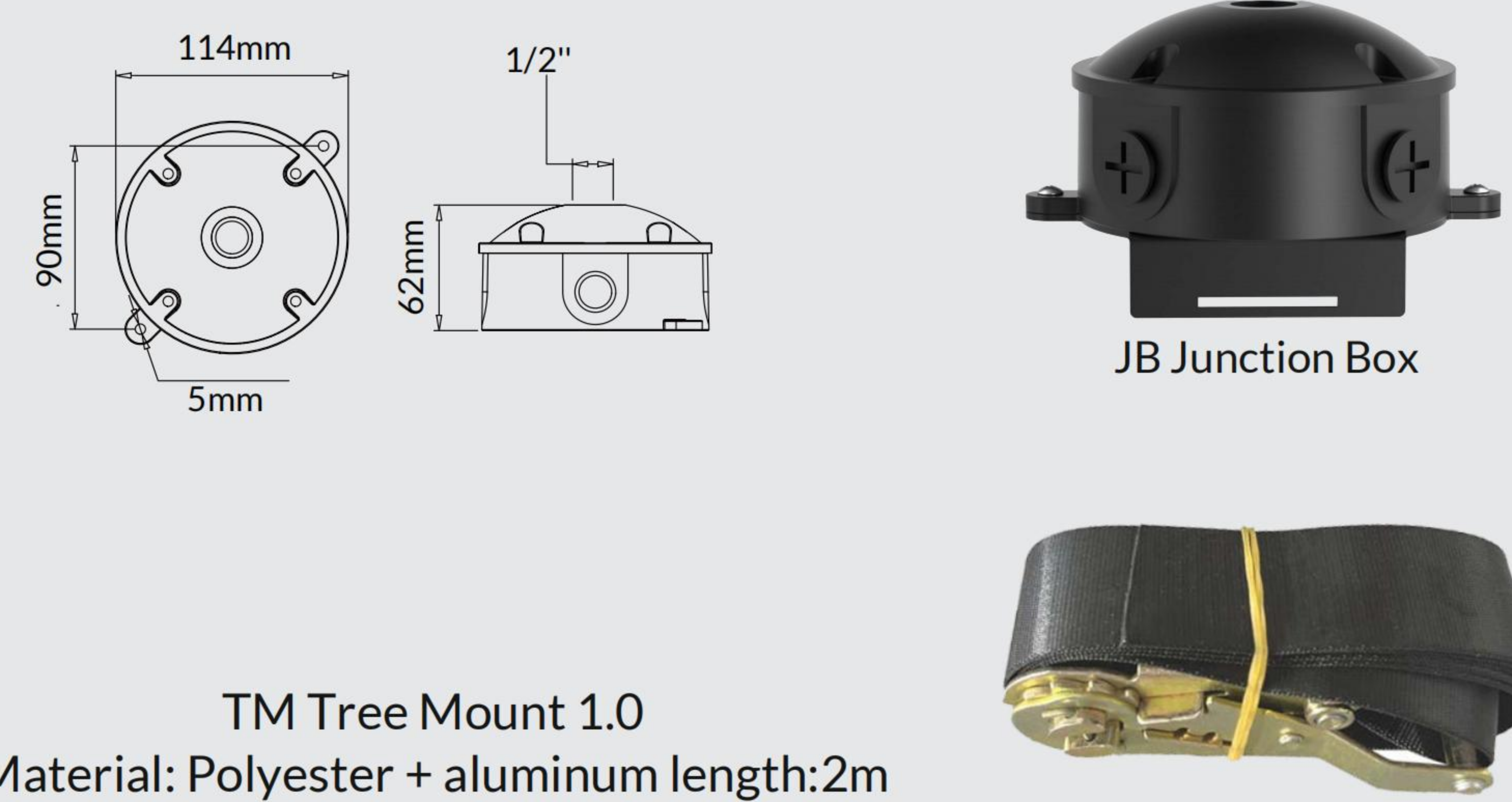
Finish color options :



Customizable in different finishing colors

*Different tree ring sizes can be customized according to needs

OPTION



Technical features

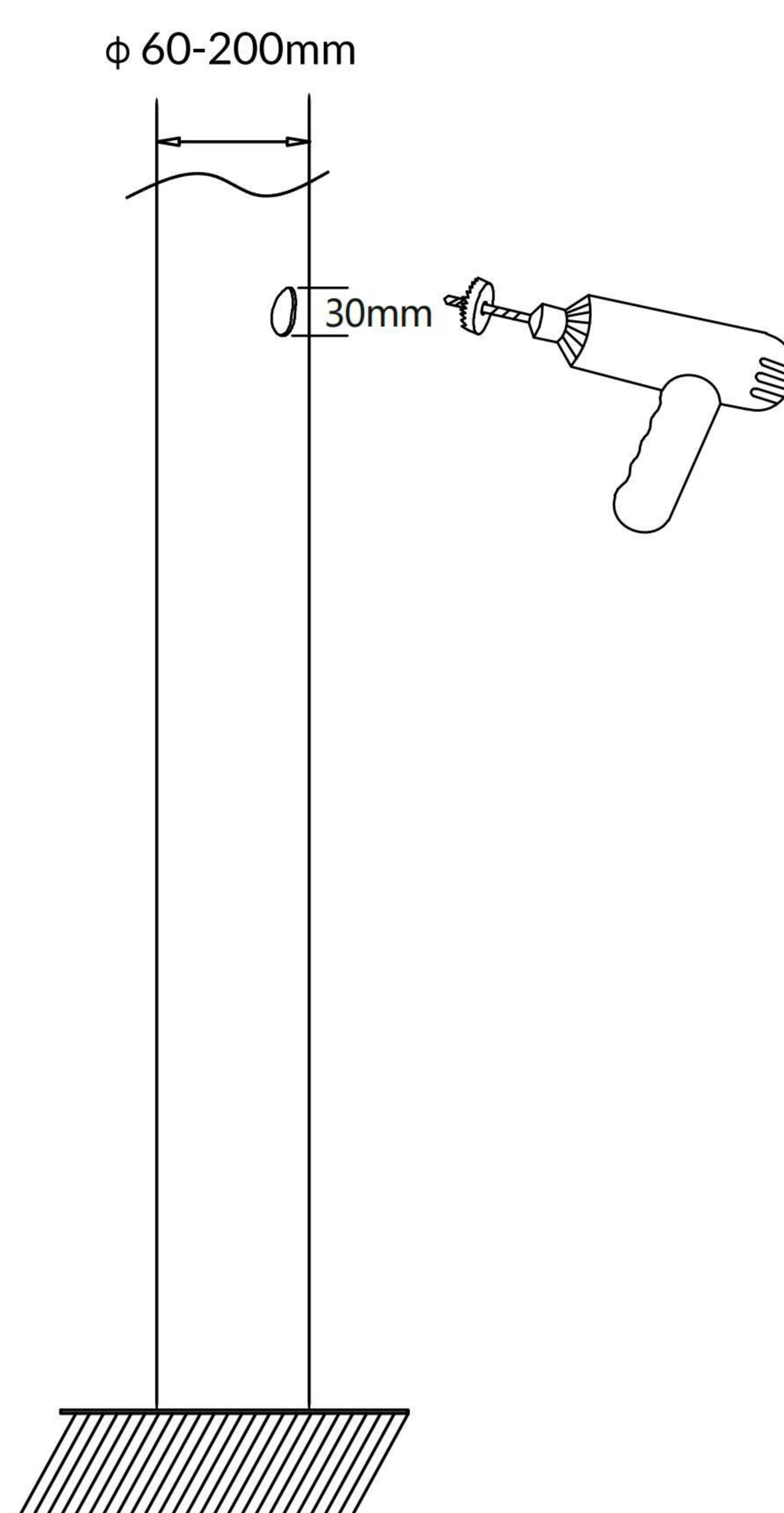


Technical data

Wattage	10/15/20W
IP Rating	IP66
IK Rating	IK06
Material	High corrosion resistance die-cast copper-free aluminum body
Coating	Polyester powder coating with phosphochromating pre-finish
Light source	1 x COB CRI>90
Standard Deviation Color Matching :MacAdam step 3	
Screws	Stainless steel
Transformer	Electronic power supply 220/240V 50/60Hz built-in or(AC120-277V)/(DC12-24V)
Gasket	Silicone rubber
Glass	Tempered
Power cable	0.5 mt. neoprene power cable included
Gross weight	1.2 Kg
Packaging size	33*27*31cm(6Pcs) 6.5kg

ROSE

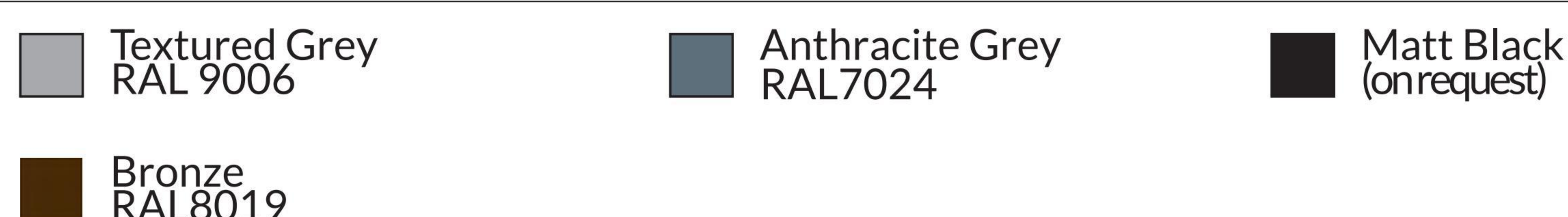
EL-SL 2.4



light source*	lumen output (lm)	lumin. efficacy (lm/w)	light beam options
3000°K warm-white			
10W COB	960.0	96.00	15°
15W COB	1440.0		24°
20W COB	1920.0		36°
			60°
			40*70°

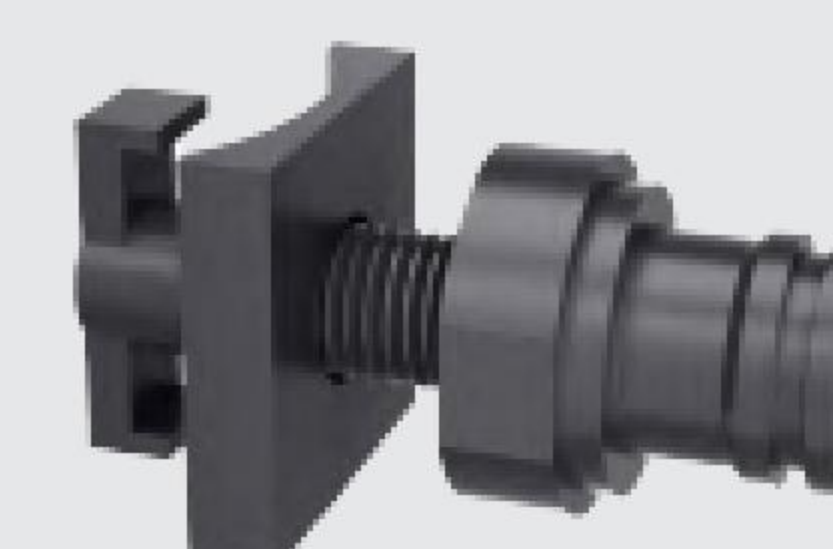
2700/4000/5000K CCT available on request

Finish color options :



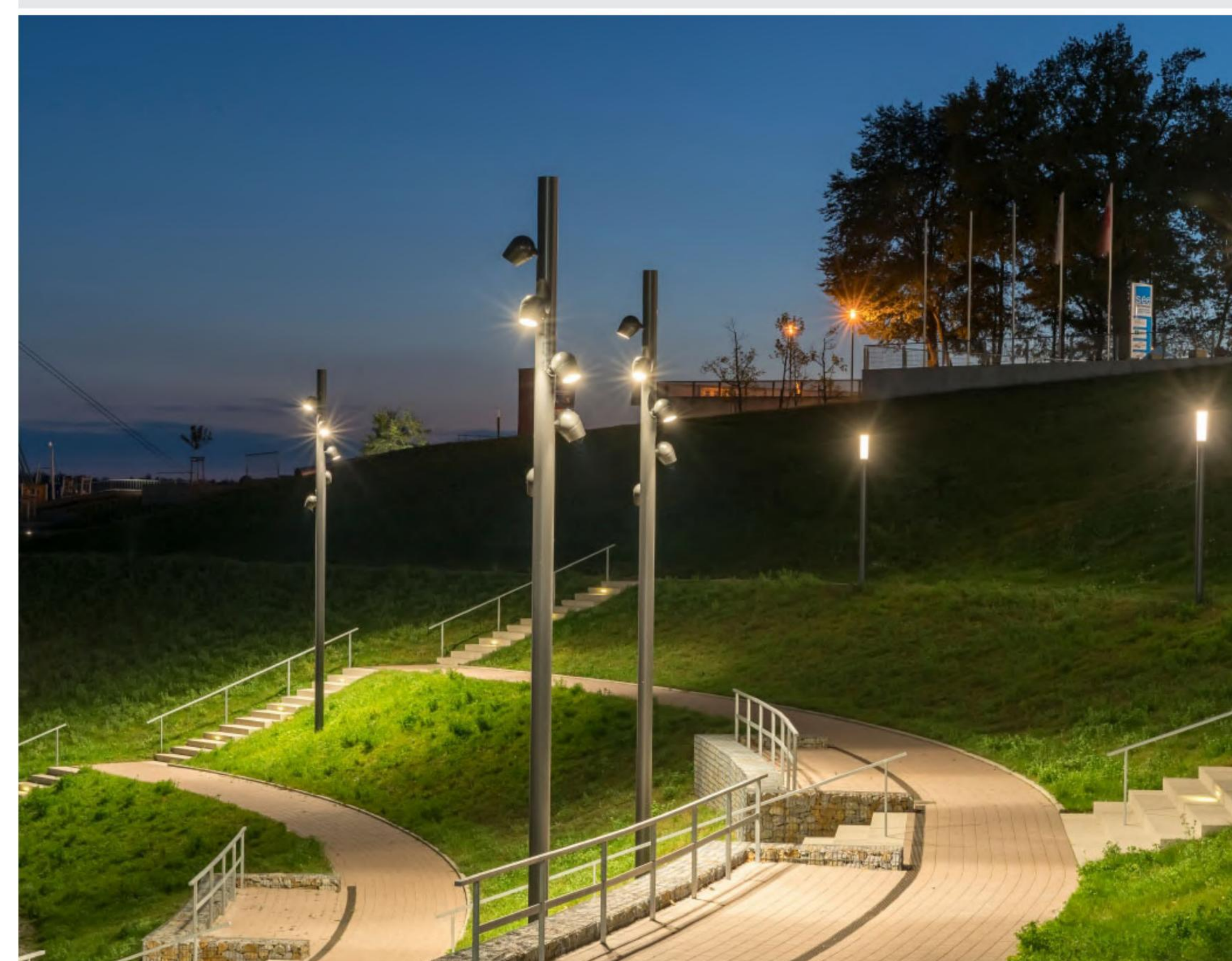
Customizable in different finishing colors

*Can be drilled on-site, φ 30mm, flexible combination.



Coupler

Suitable to be used with poles diam. min 60 mm and diam. max 200 mm. Can be positioned on various staggered levels or on a single level, with the same pole. Made in phospho chromatised and polyester powder coated dia-cast copper-free aluminum material.



Technical features

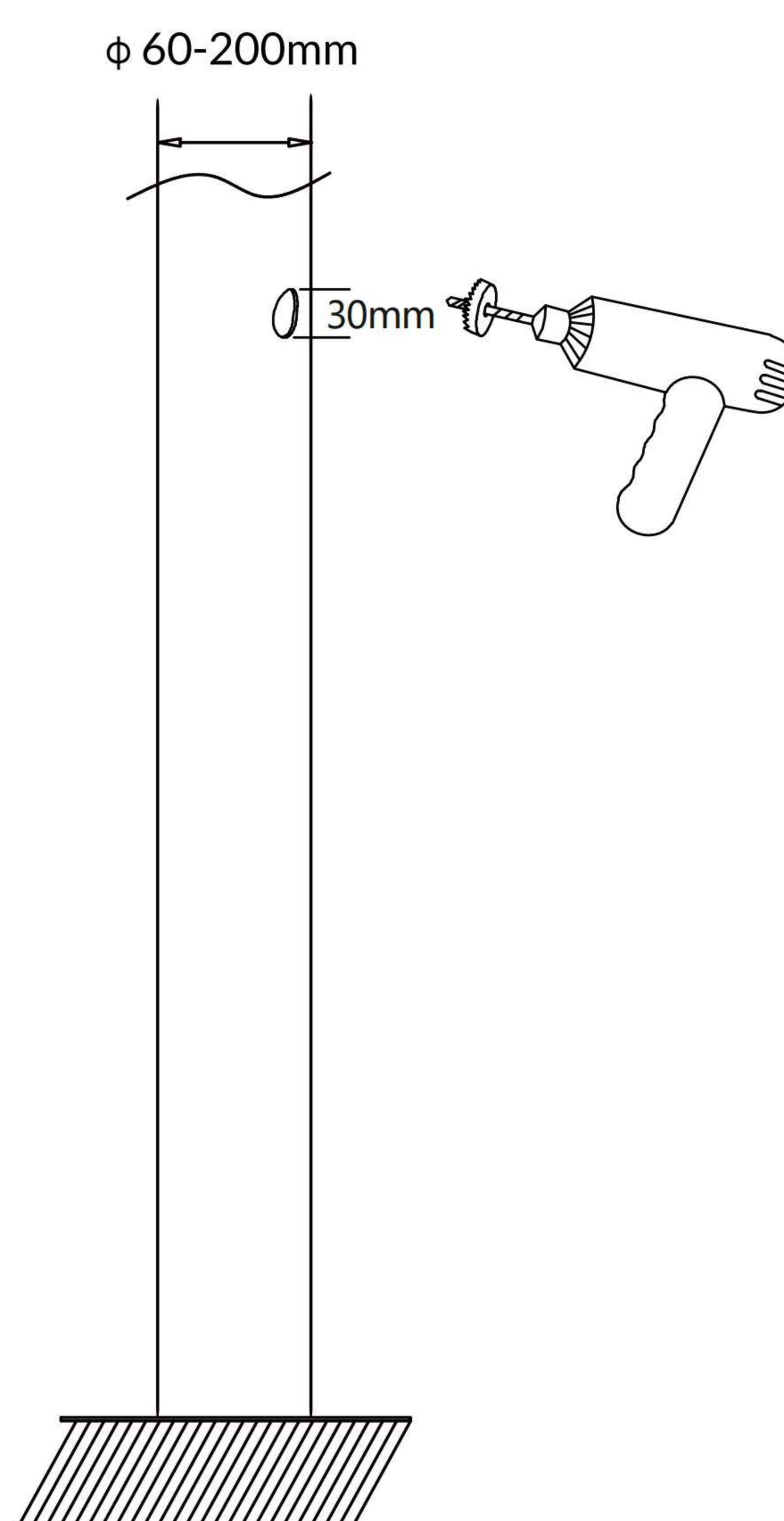


Technical data

Wattage	30/40/60W
IP Rating	IP66
IK Rating	IK06
Material	High corrosion resistance die-cast copper-free aluminum body
Coating	Polyester powder coating with phosphochromating pre-finish
Light source	1xCOB CRI>90
Screws	Stainless steel
Transformer	Electronic power supply 220/240V 50/60Hz built-in or AC120-277V
Gasket	Silicone rubber
Glass	Tempered
Power cable	0.5 mt. neoprene power cable included
Gross weight	2.15 Kg
Packaging size	32*32*42cm 4PCS 8.6kg

ROSE Pro

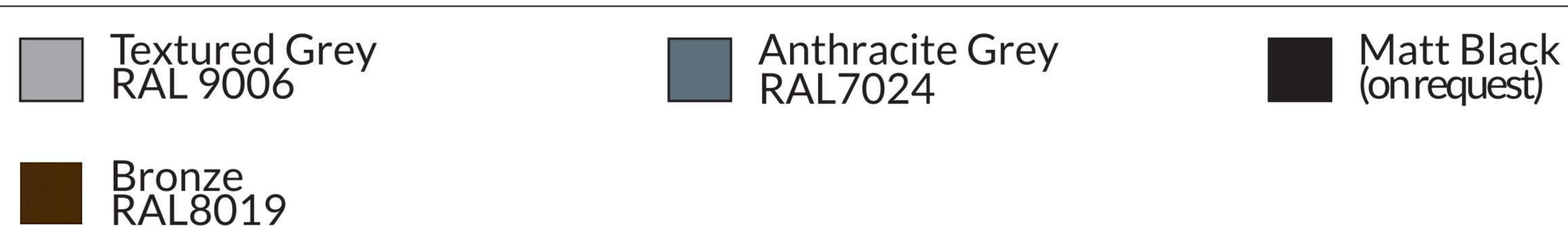
EL-SL 3.4



light source*	lumen output (lm)	lumin. efficacy (lm/w)	light beam options
3000°K warm-white			
30W COB	3000.0	100.00	15°
40W COB	4000.0		24°
60W COB	6000.0		36°
			60°
			40*70°

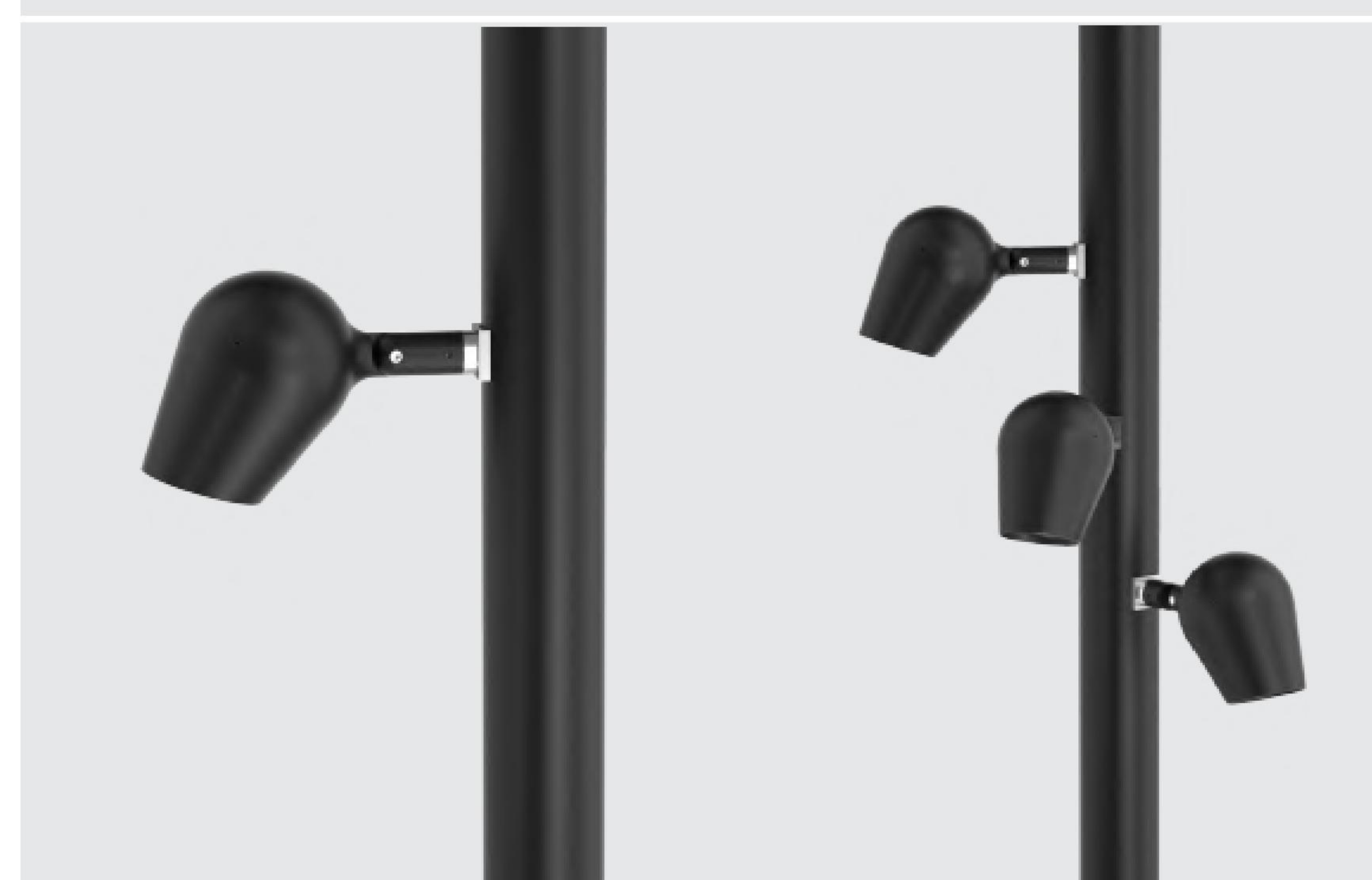
2700/4000/5000K CCT available on request

Finish color options :



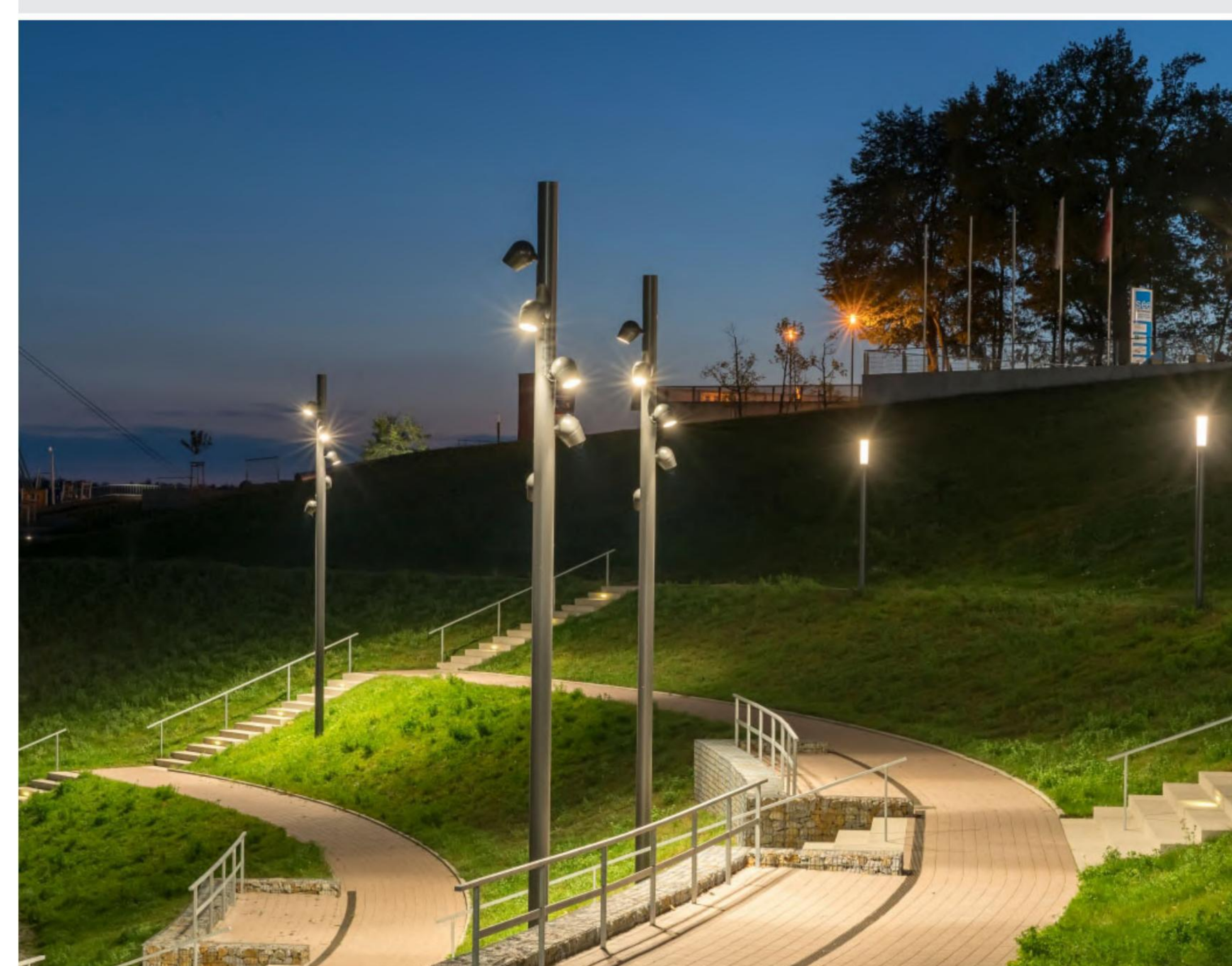
Customizable in different finishing colors

*Can be drilled on-site, φ 30mm, flexible combination.



Coupler

Suitable to be used with poles diam. min 60 mm and diam. max 200 mm. Can be positioned on various staggered levels or on a single level, with the same pole. Made in phospho chromatised and polyester powder coated dia-cast copper-free aluminum material.



Technical features

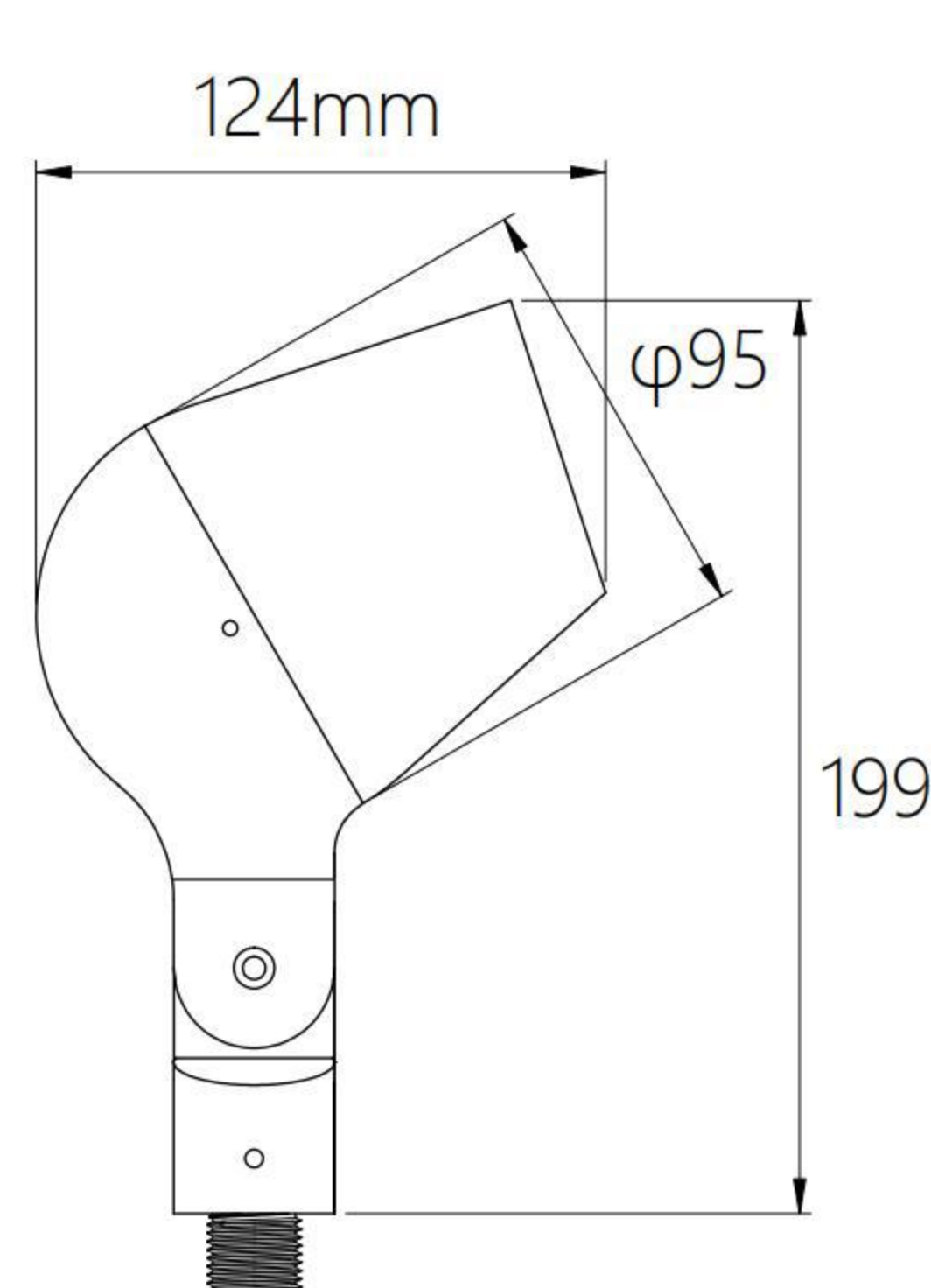


Technical data

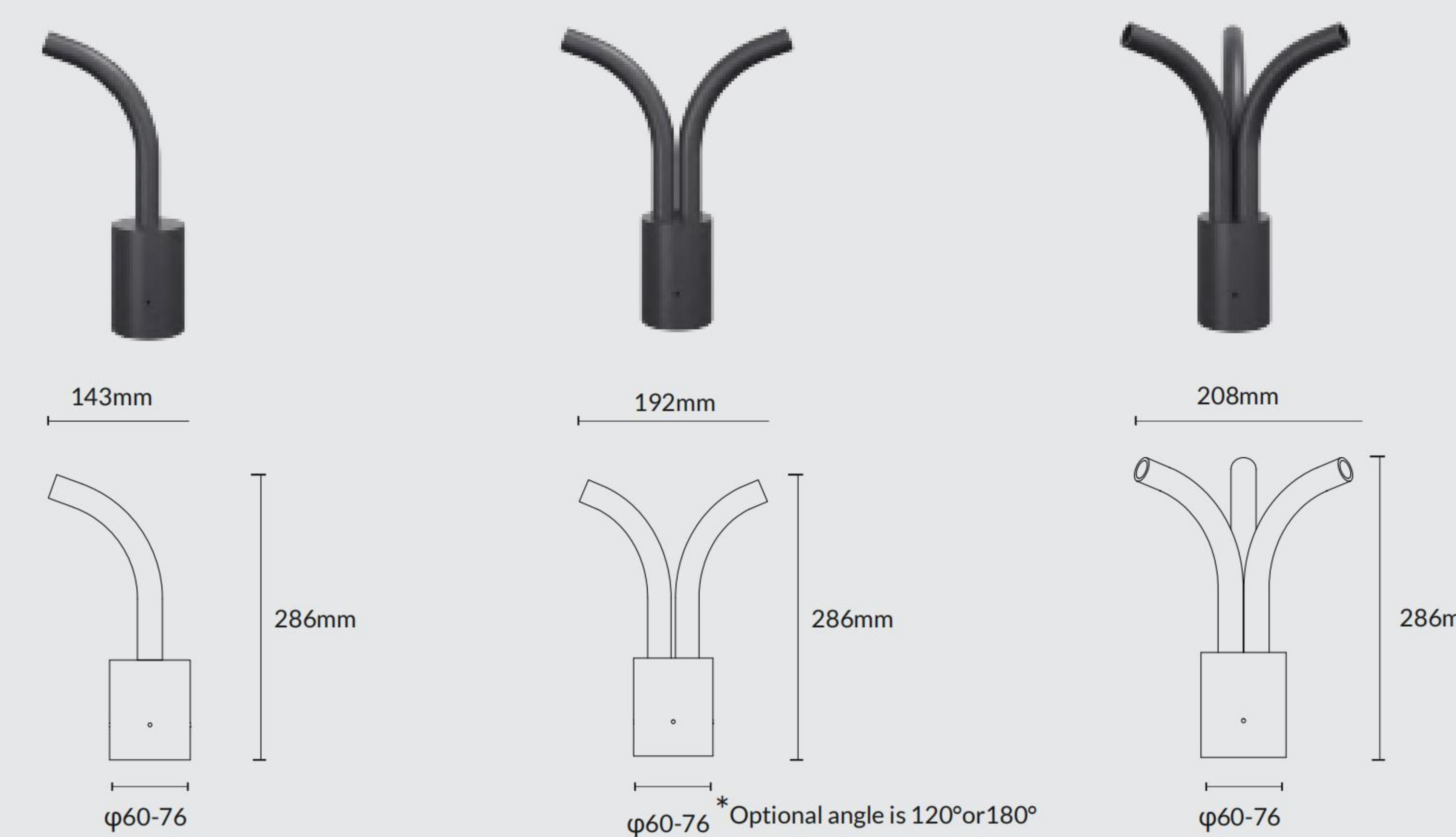
Wattage	10/15/20W
IP Rating	IP66
IK Rating	IK06
Material	High corrosion resistance die-cast copper-free aluminum body
Coating	Polyester powder coating with phosphochromating pre-finish
Light source	1 x COB CRI>90
Screws	Stainless steel
Transformer	Electronic power supply 220/240V 50/60Hz built-in or (AC120-277V)/(DC12-24V)
Gasket	Silicone rubber
Glass	Tempered
Power cable	0.5 mt. neoprene power cable included
Gross weight	1.2 Kg
Packaging size	33*27*31cm(6Pcs) 6.5kg

ROSE

EL-SL 2.5



Option



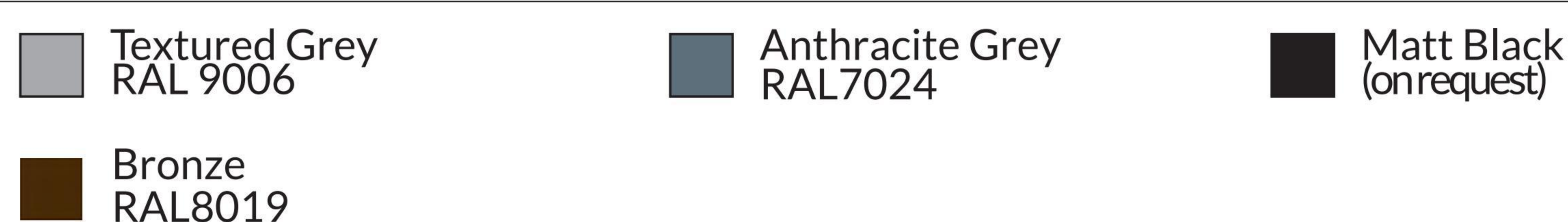
Candlestick

Material: steel
Suitable for φ60-76mm pole

light source*	lumen output (lm)	lumin. efficacy (lm/w)	light beam options
3000°K warm-white			
10W COB	960.0	96.00	M 15°
15W COB	1440.0		M 24°
20W COB	1920.0		M 36°
			M 60°
			M 40*70°

2700/4000/5000K CCT available on request

Finish color options :



Customizable in different finishing colors



Technical features



Technical data

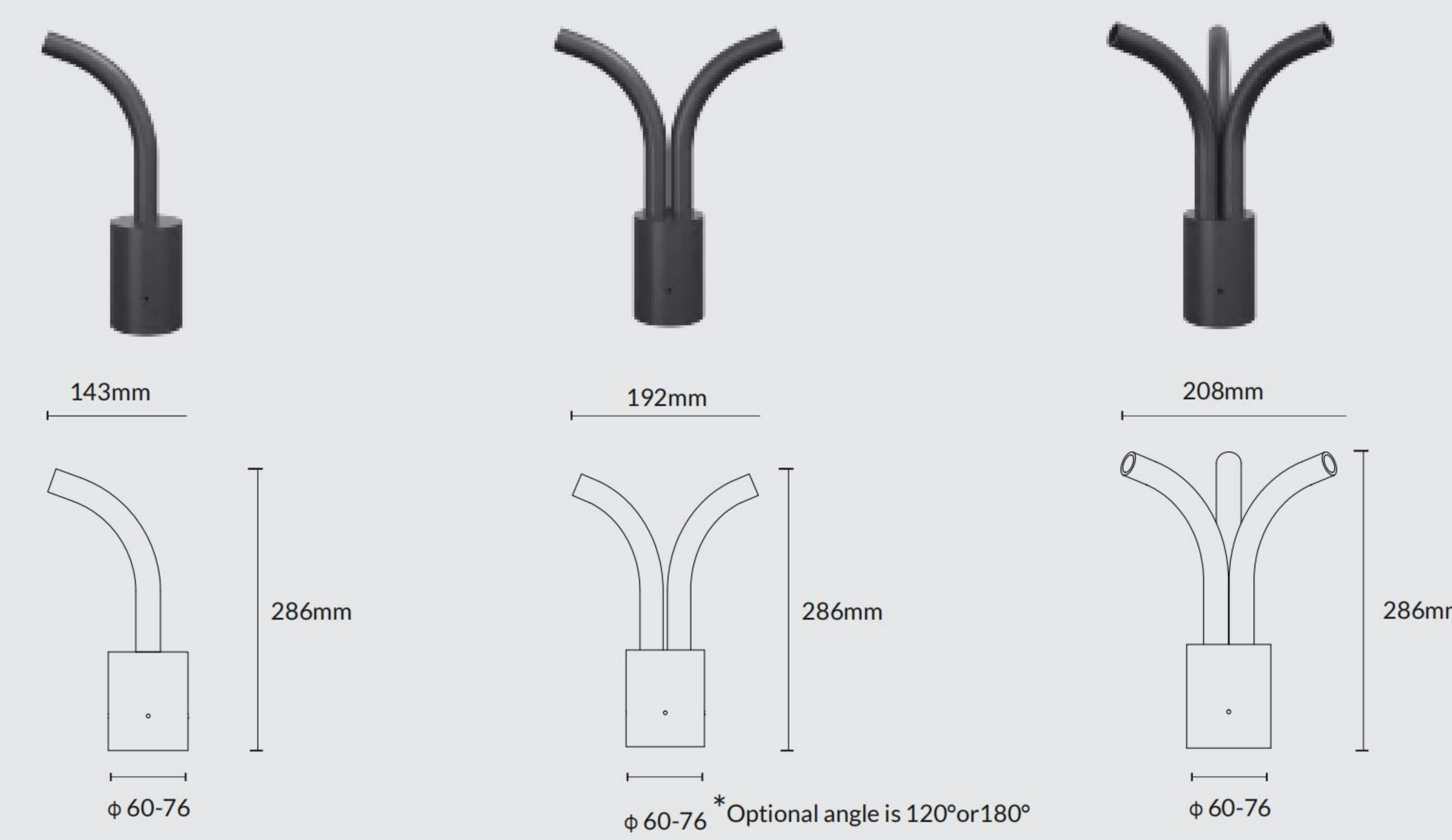
Wattage	30/40/60W
IP Rating	IP66
IK Rating	IK06
Material	High corrosion resistance die-cast copper-free aluminum body
Coating	Polyester powder coating with phosphocromating pre-finish
Light source	1xCOB CRI>90
Screws	Stainless steel
Transformer	Electronic power supply 220/240V 50/60Hz built-in or AC120-277V
Gasket	Silicone rubber
Glass	Tempered
Power cable	0.5 mt. neoprene power cable included
Gross weight	2.15 Kg
Packaging size	32*32*42cm 4PCS 8.6kg

ROSE Pro

EL-SL 3.5



Option

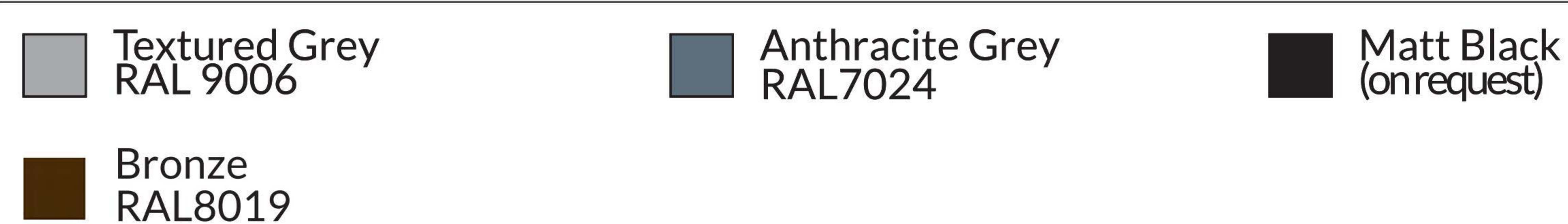


Candlestick
Material: steel
Suitable for φ60-76mm pole

light source*	lumen output (lm)	lumin. efficacy (lm/w)	light beam options
3000°K warm-white			
30W COB	3000.0	100.00	M 15°
40W COB	4000.0		M 24°
60W COB	6000.0		M 36°
			M 60°
			M 40*70°

2700/4000/5000K CCT available on request

Finish color options :



Customizable in different finishing colors



Technical features

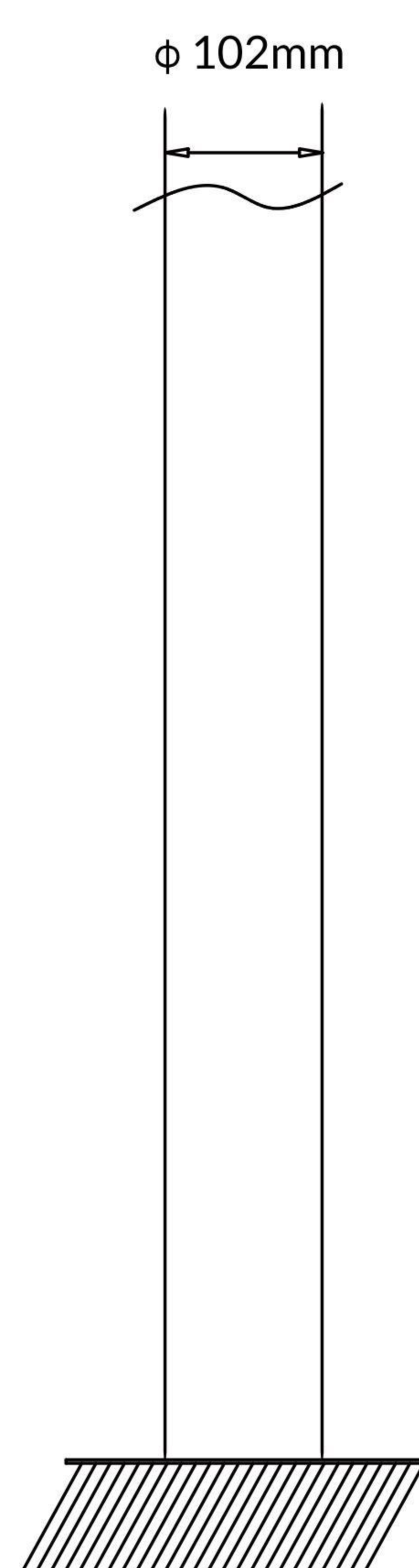
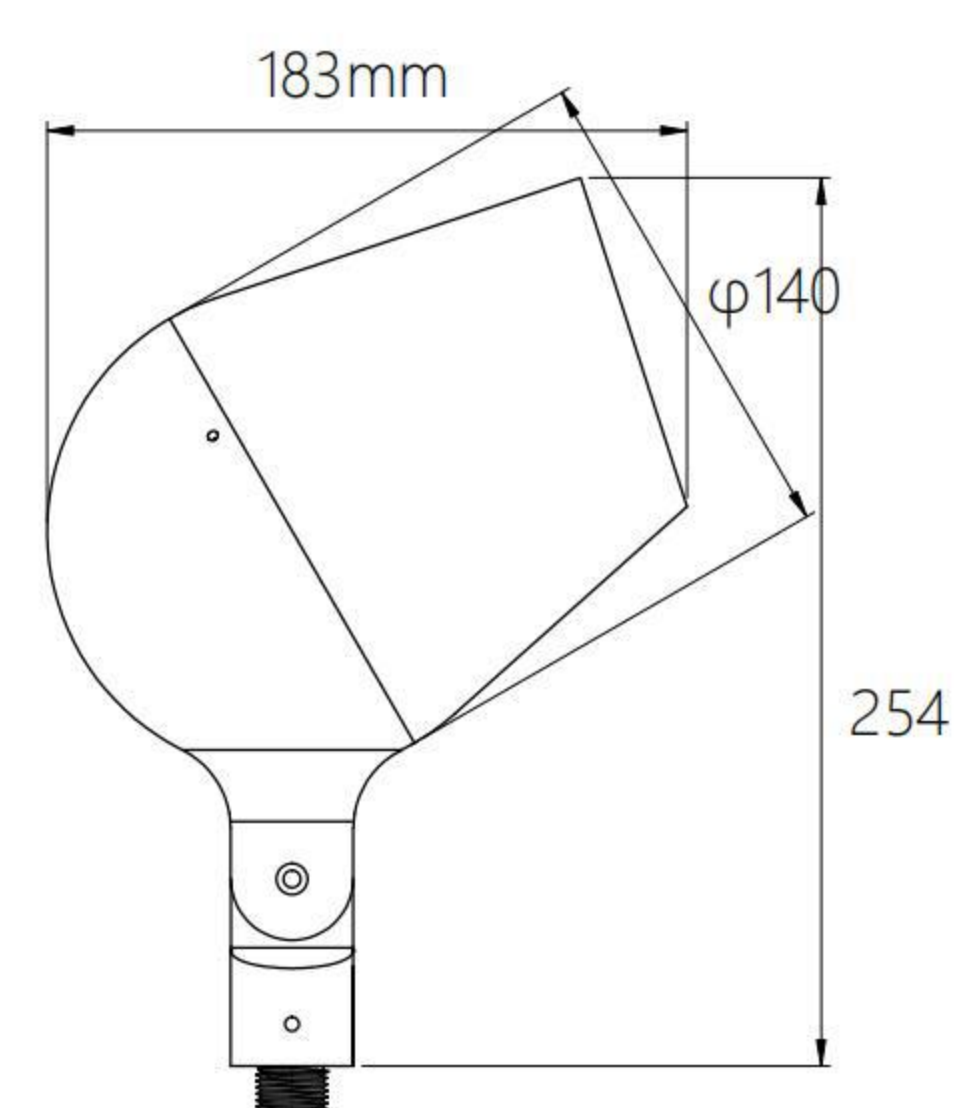


Technical data

Wattage	30/40/60W
IP Rating	IP66
IK Rating	IK06
Material	High corrosion resistance die-cast copper-free aluminum body
Coating	Polyester powder coating with phosphochromating pre-finish
Light source	1xCOB CRI>90
Screws	Stainless steel
Transformer	Electronic power supply 220/240V 50/60Hz built-in or(AC120-277V)/(DC12-24V)
Gasket	Silicone rubber
Glass	Tempered
Power cable	0.5 mt. neoprene power cable included
Gross weight	2.15 Kg
Packaging size	32*32*42cm 4PCS 8.6kg

ROSE Pro

EL-SL 3.6



Option



light source*	lumen output (lm)	lumin. efficacy (lm/w)	light beam options
3000°K warm-white			
30W COB	3000.0	100.00	M 15°
40W COB	4000.0		M 24°
60W COB	6000.0		M 36°
			M 40*70°

2700/4000/5000K CCT available on request

Finish color options :



Customizable in different finishing colors



Technical features

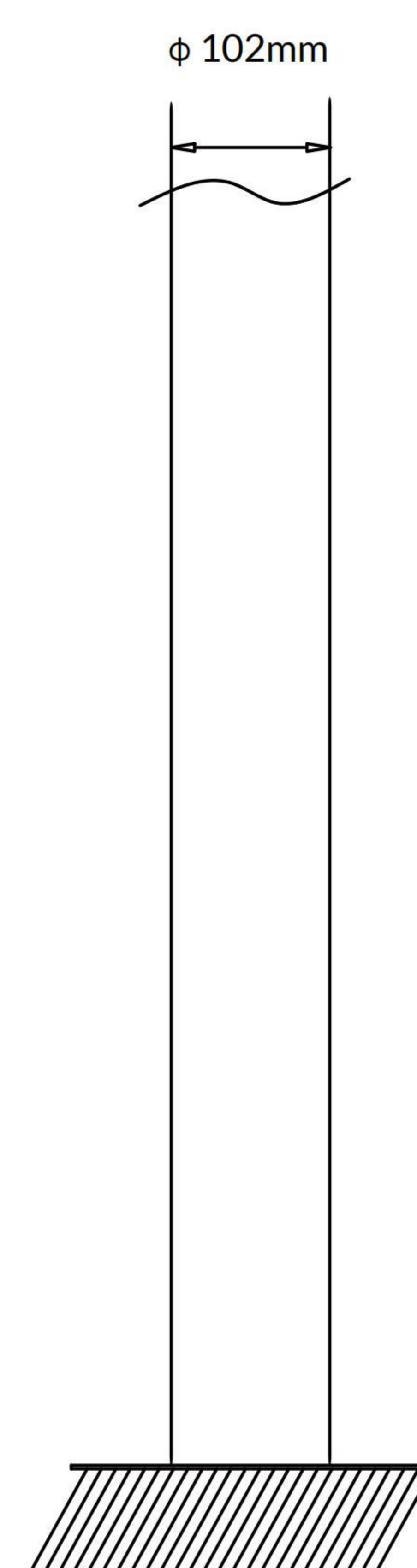
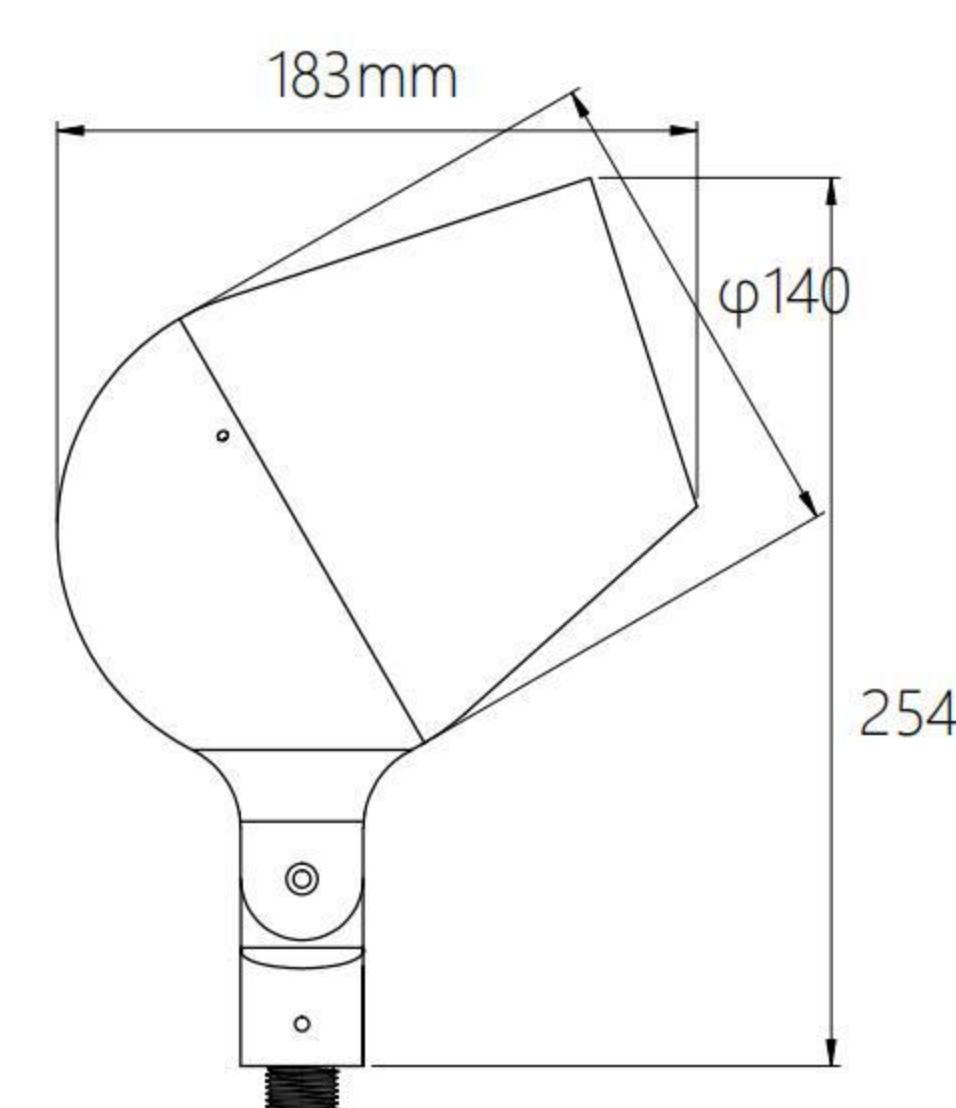


Technical data

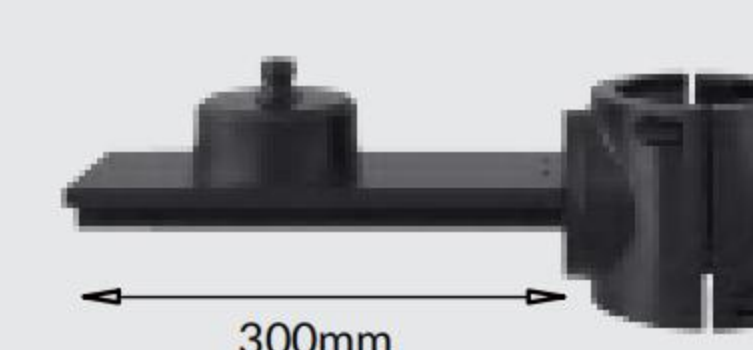
Wattage	30/40/60W
IP Rating	IP66
IK Rating	IK06
Material	High corrosion resistance die-cast copper-free aluminum body
Coating	Polyester powder coating with phosphocromating pre-finish
Light source	1xCOB CRI>90
Screws	Stainless steel
Transformer	Electronic power supply 220/240V 50/60Hz built-in or(AC120-277V)/(DC12-24V)
Gasket	Silicone rubber
Glass	Tempered
Power cable	0.5 mt. neoprene power cable included
Gross weight	2.15 Kg
Packaging size	32*32*42cm 4PCS 8.6kg

ROSE Pro

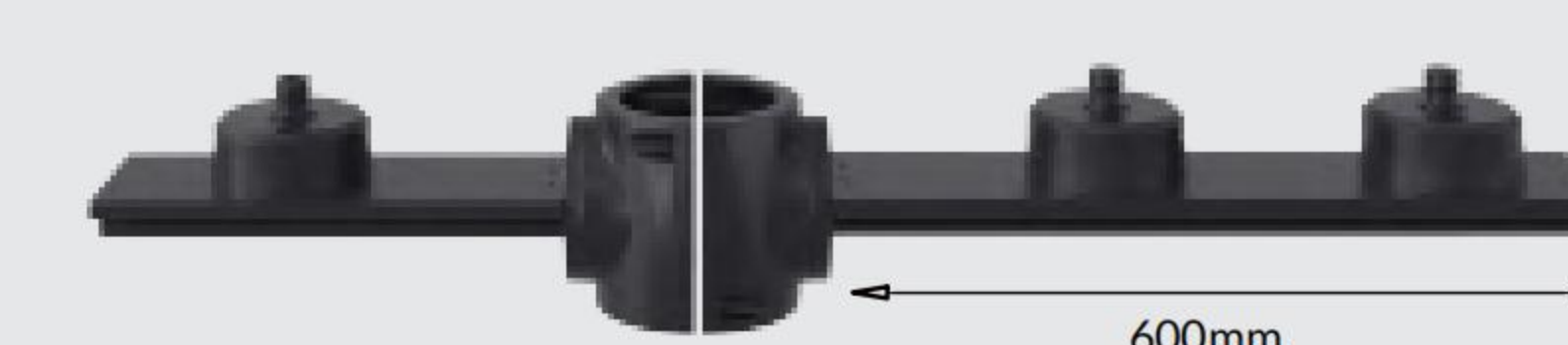
EL-SL 3.7



Option



Unilateral flange(bracket)
Material: Die cast aluminum/aluminum profile



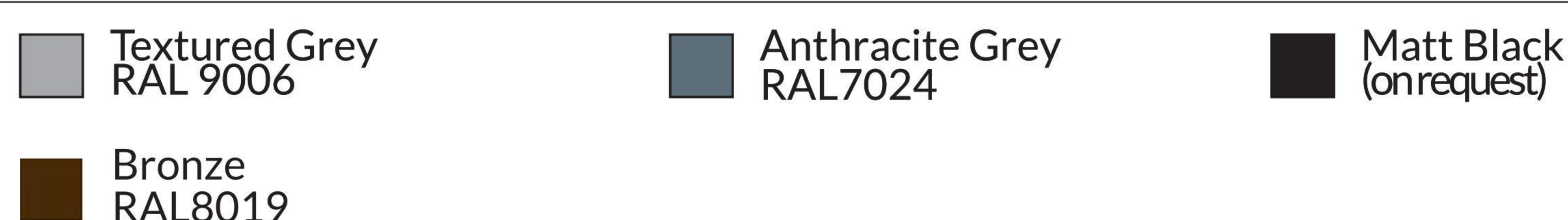
Bilateral flange(bracket)



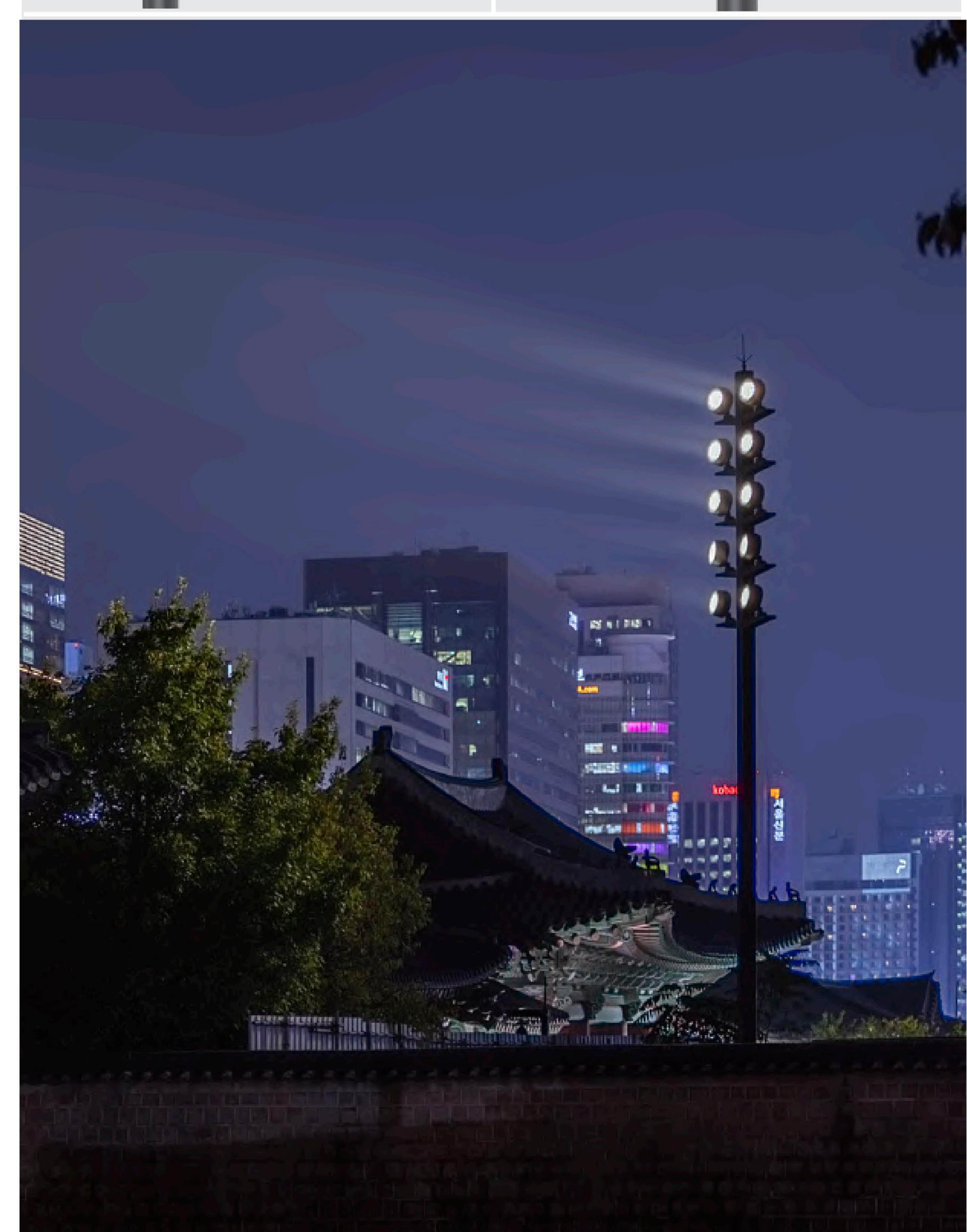
light source*	lumen output (lm)	lumin. efficacy (lm/w)	light beam options
3000°K warm-white			
30W COB	3000.0	100.00	M 15°
40W COB	4000.0		M 24°
60W COB	6000.0		M 36°
			M 40*70°

2700/4000/5000K CCT available on request

Finish color options :



Customizable in different finishing colors



Technical features

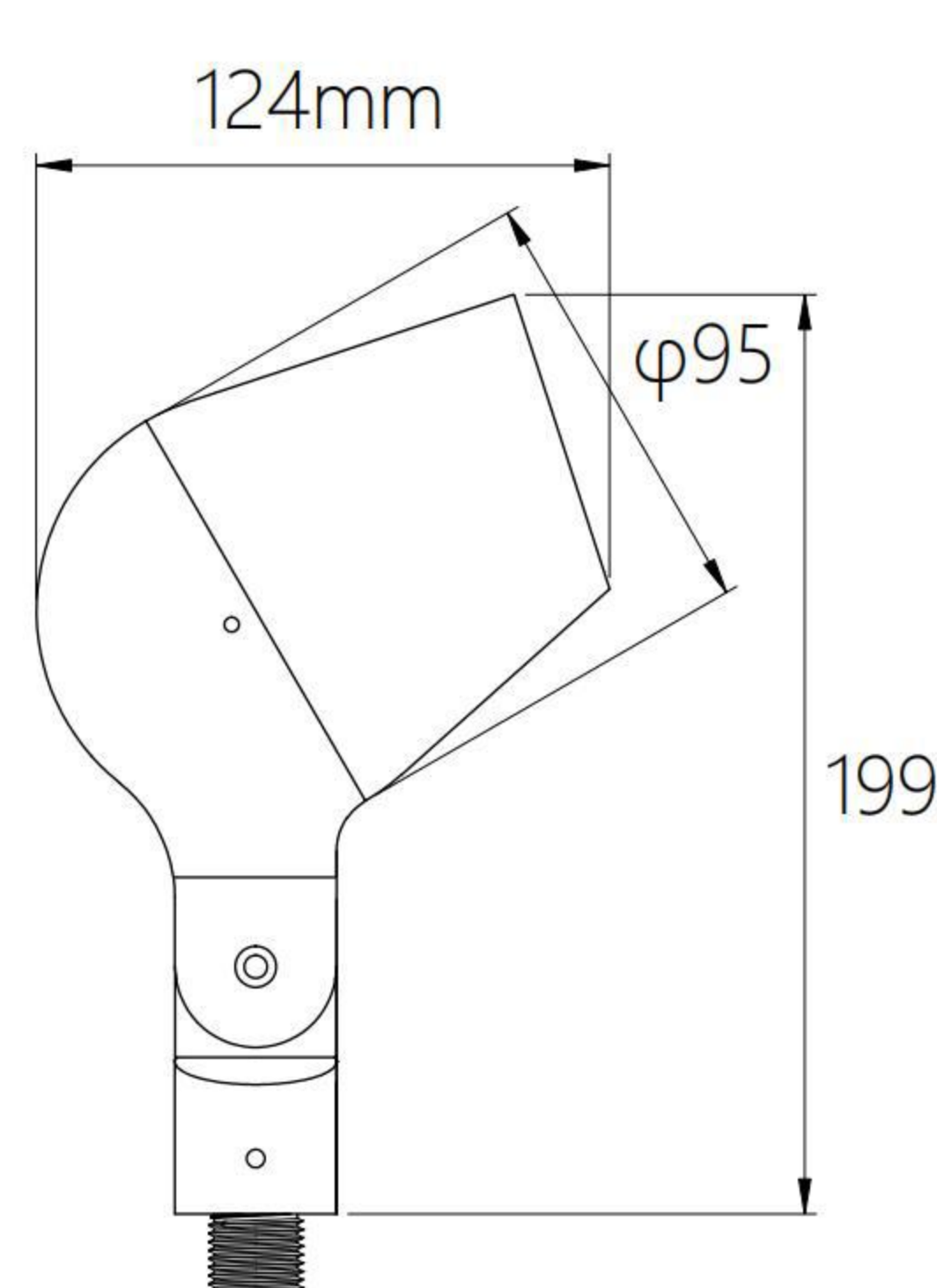
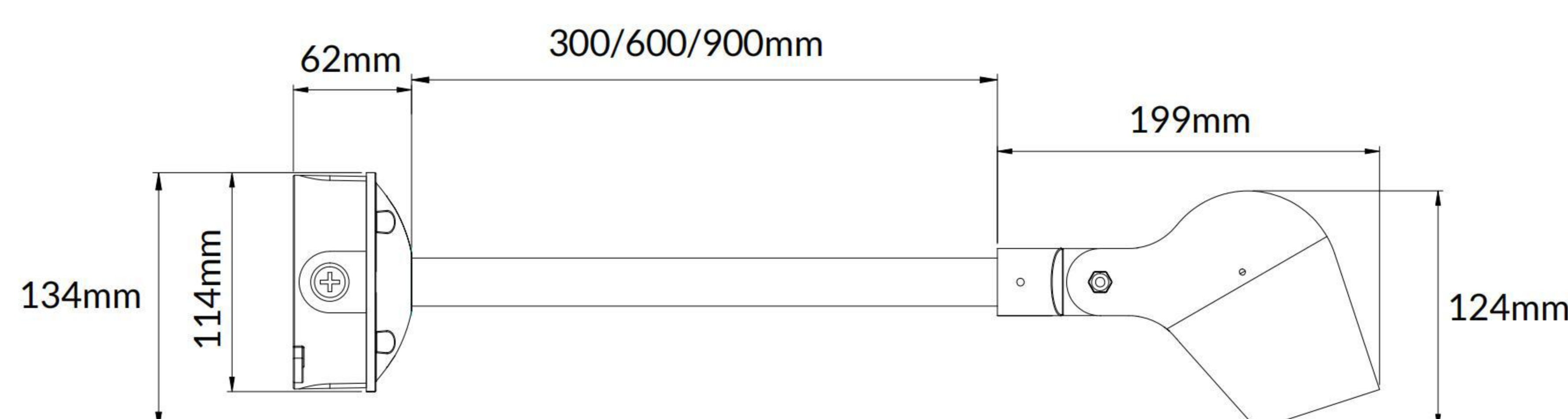


Technical data

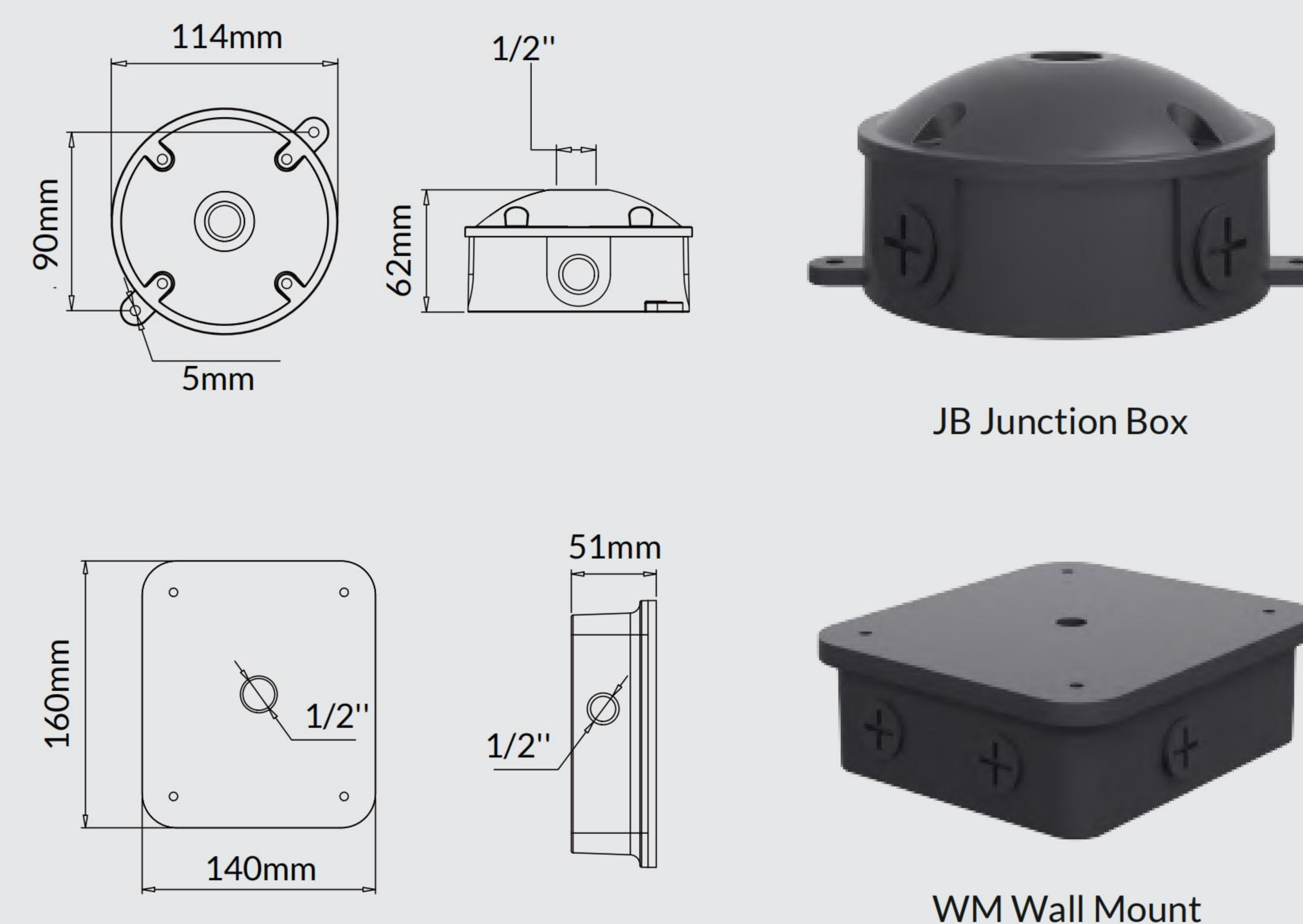
Wattage	10/15/20W
IP Rating	IP66
IK Rating	IK06
Material	High corrosion resistance die-cast copper-free aluminum body
Coating	Polyester powder coating with phosphochromating pre-finish
Light source	1 x COB CRI>90
Screws	Stainless steel
Transformer	Electronic power supply 220/240V 50/60Hz built-in or (AC120-277V)/(DC12-24V)
Gasket	Silicone rubber
Glass	Tempered
Power cable	0.5 mt. neoprene power cable included
Gross weight	1.2 Kg
Packaging size	33*27*31cm(6Pcs) 6.5kg

ROSE

EL-SL 2.6



OPTION



Extension arm

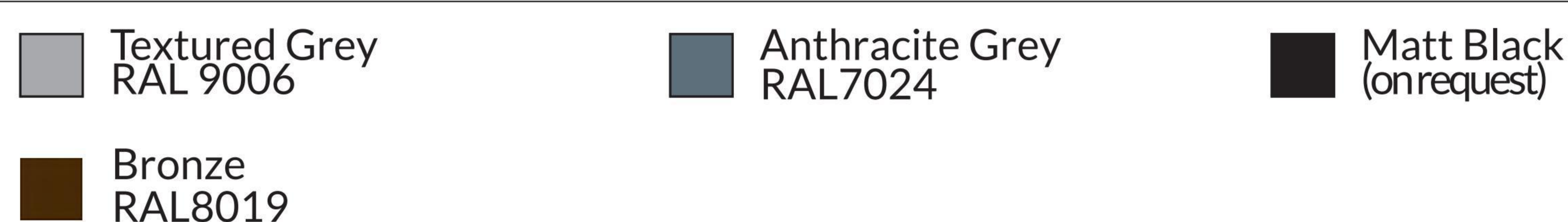
Material: Aluminum profile
Specification: Thickness 4mm, φ 25mm
*Length can be customized



light source*	lumen output (lm)	lumin. efficacy (lm/w)	light beam options
3000°K warm-white			
10W COB	960.0	96.00	M 15°
15W COB	1440.0		M 24°
20W COB	1920.0		M 36°
			M 60°
			M 40*70°

2700/4000/5000K CCT available on request

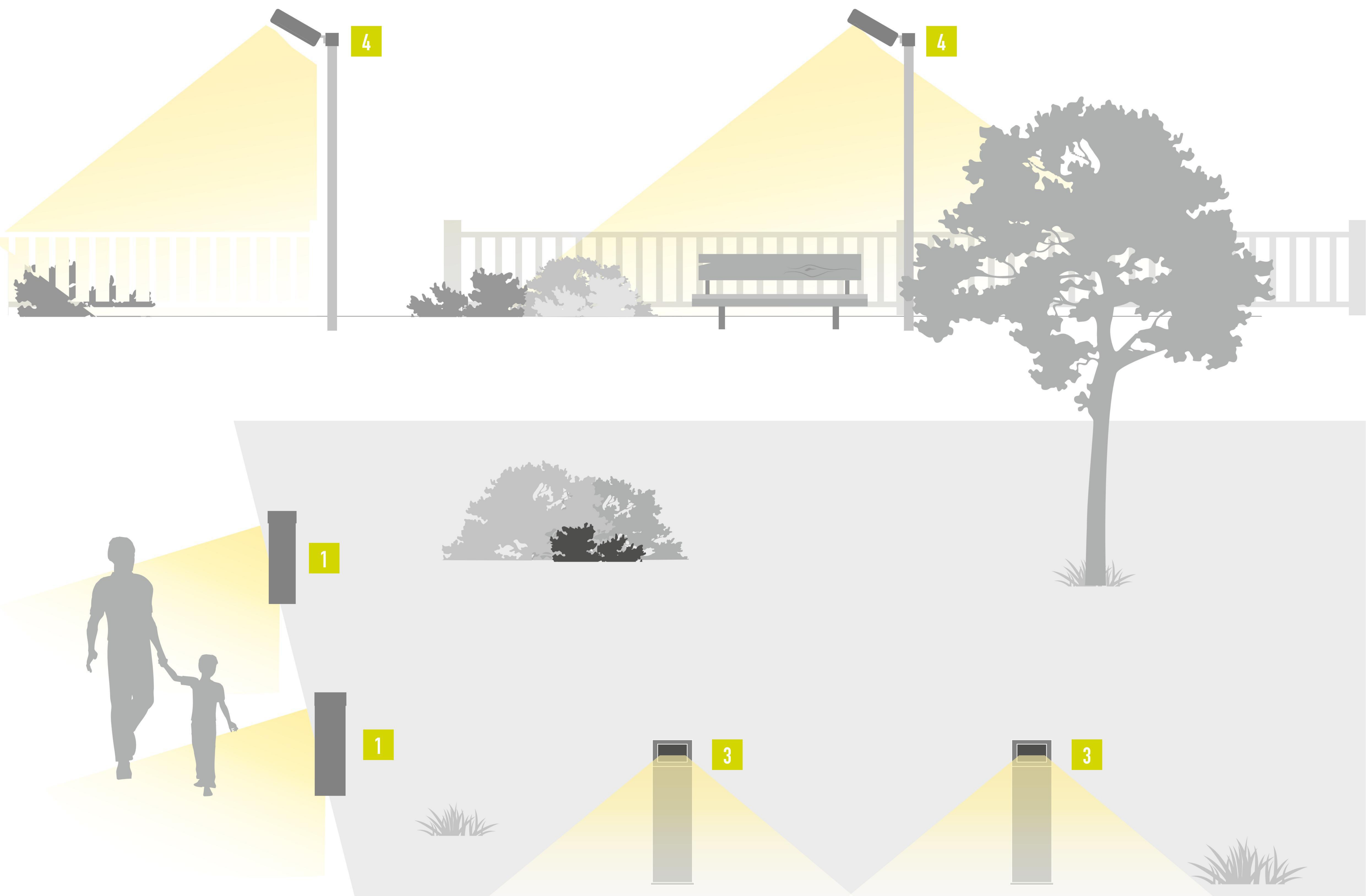
Finish color options :



Customizable in different finishing colors



BOLLARDS AND URBAN LIGHTING



Technical features



Technical data

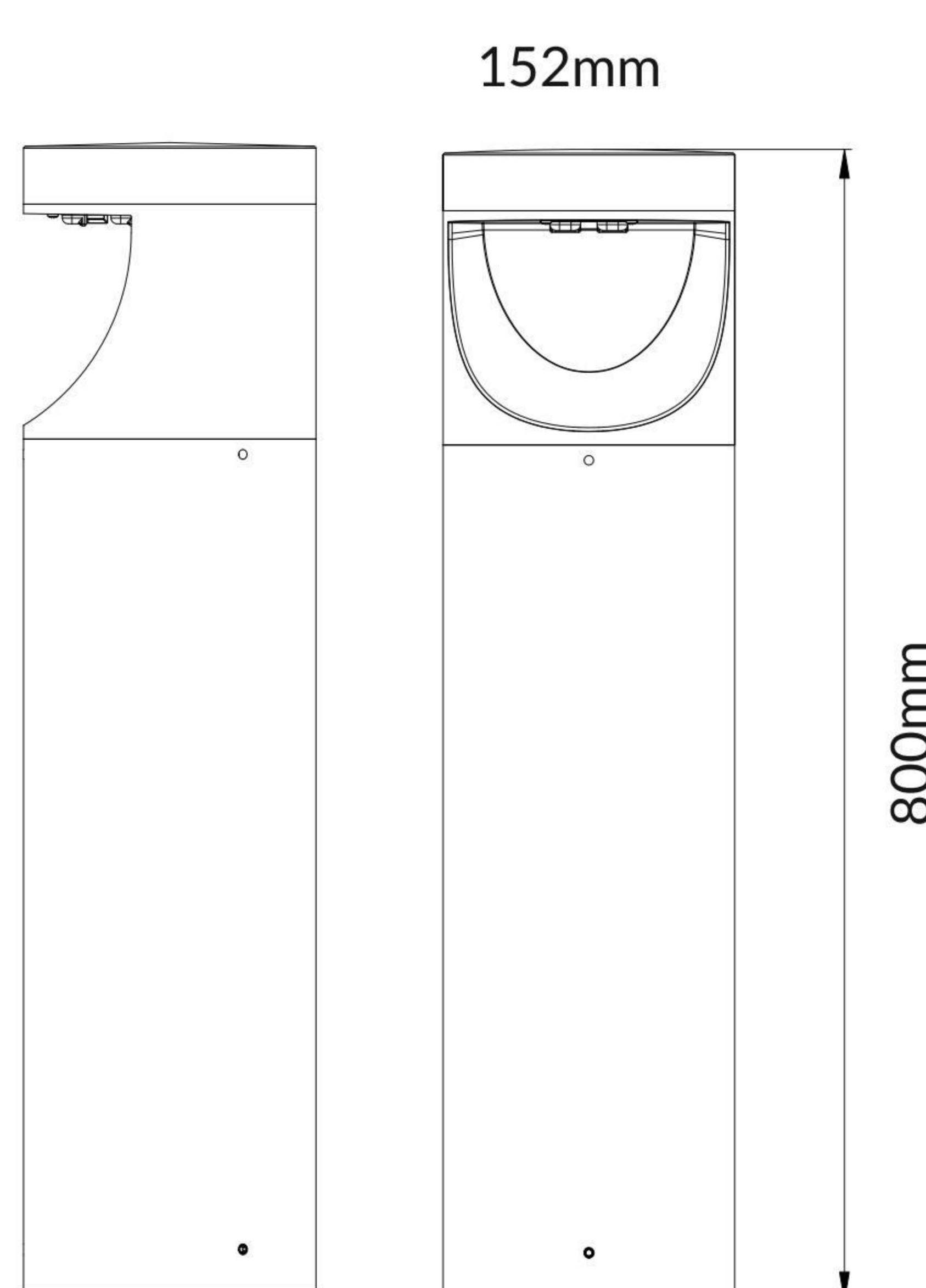
Wattage	12W
IP Rating	IP65
IK Rating	IK08
Material	High corrosion resistance die-cast copper-free aluminum body +Aluminum profile
Coating	Polyester powder coating with phosphochromating pre-finish
Light source	4x5050LED CRI>80
Standard Deviation Color Matching	:MacAdam step 3
Screws	Stainless steel
Transformer	Electronic power supply 220/240V 50/60Hz built-in or AC120-277V/DC12-24V
Gasket	Silicone rubber
Glass	Tempered
Power cable	1 mt. neoprene power cable included
Gross weight	(0.6m)4.5 Kg (0.8m)5.5 Kg (1m)6.5 Kg
Package size	(0.6m)66*23*22cm (0.8m)86*23*22cm (1m)106*23*22cm



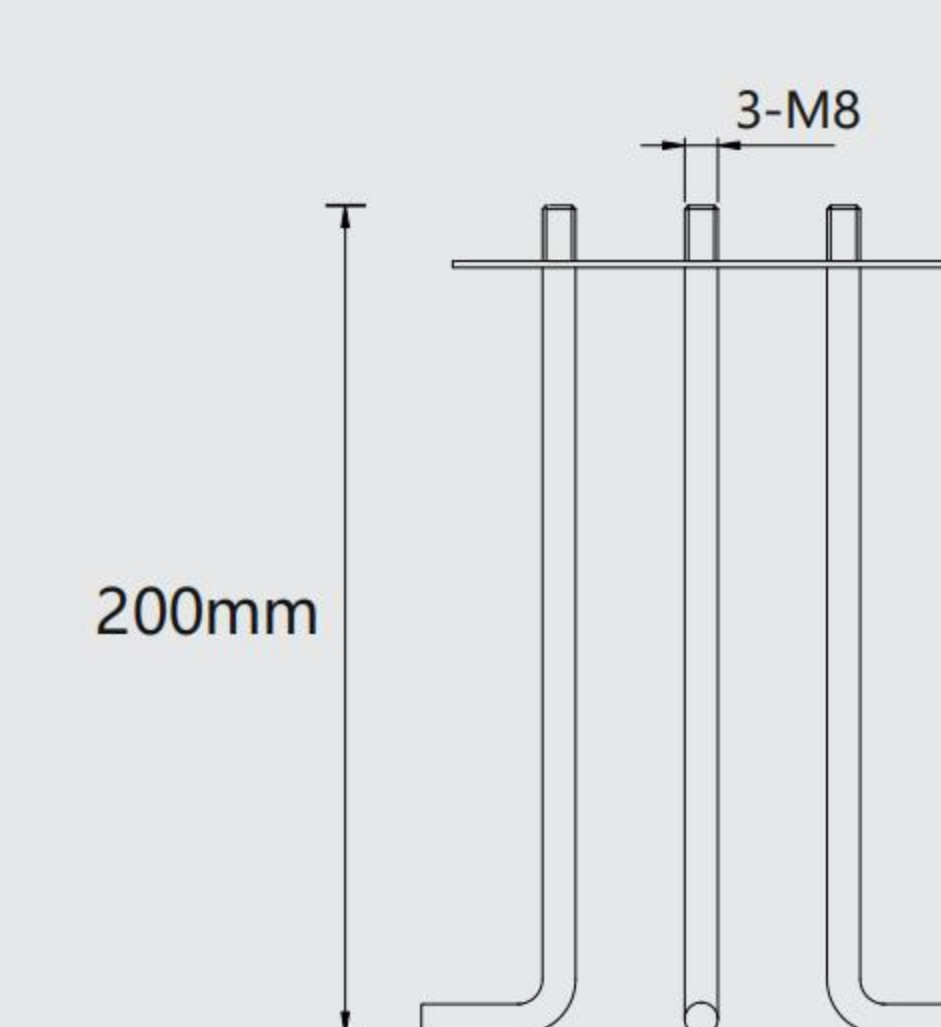
LAUGH

EL-BL

A series of LED light building elements with asymmetrical light distribution. Light building elements are luminous design features for public areas. They are ideally suited for delineating and structuring interior and exterior spaces such as landscape areas, plazas, building entrances



Option



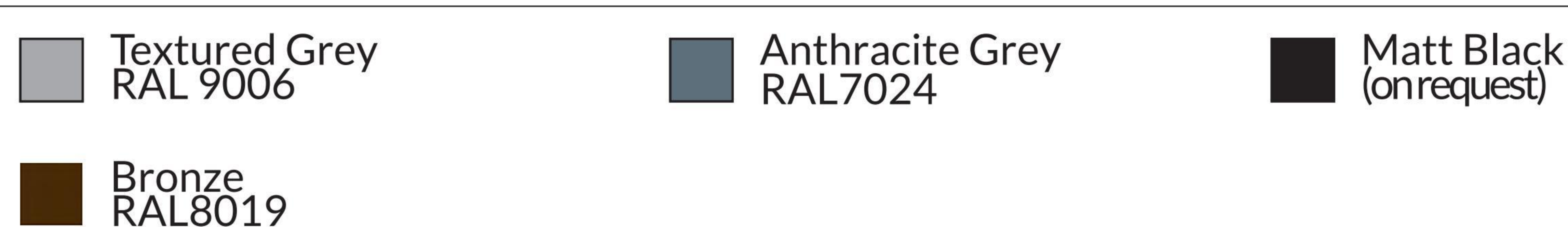
Concrete anchor 1023
Material: steel
*Need to be purchased separately

light source*	lumen output (lm)	lumin. efficacy (lm/w)	light beam options
5000K white			
LT-BL-12W	960.0	80.0	Asymmetric (70x150°)

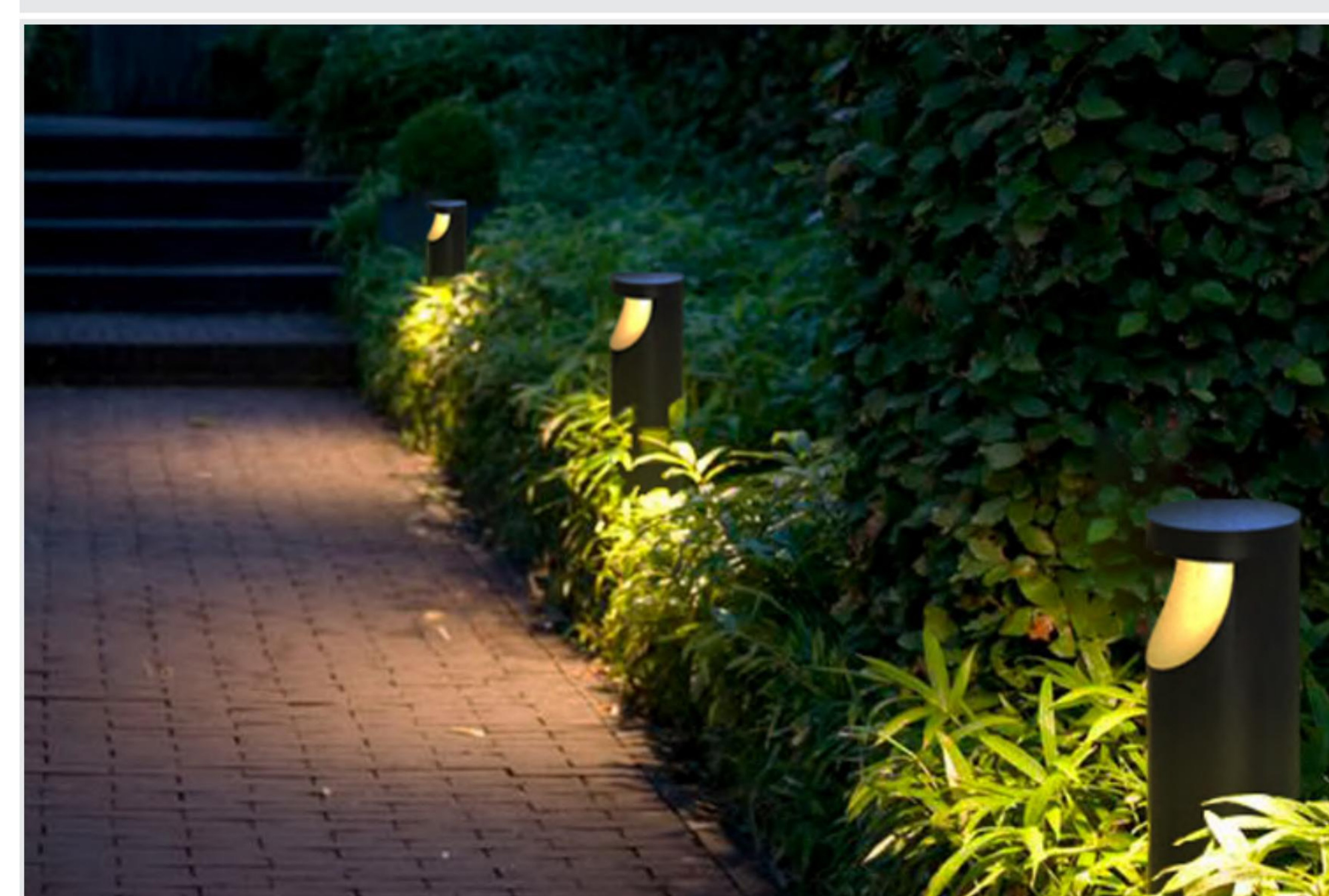
3000/4000K CCT available on request

Unilateral light output

Finish color options :



Customizable in different finishing colors



Technical features



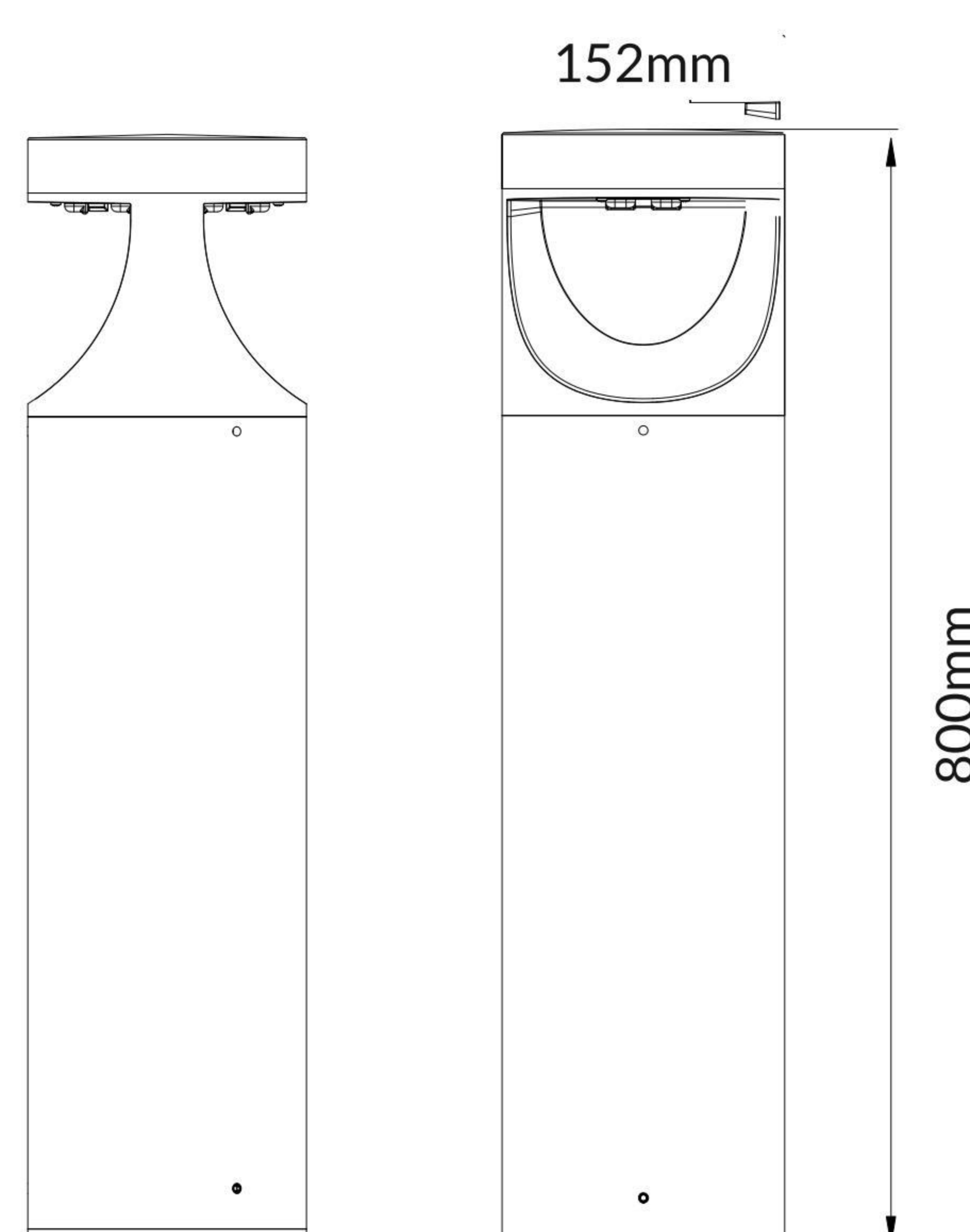
Technical data

Wattage	24W
IP Rating	IP65
IK Rating	IK08
Material	High corrosion resistance die-cast copper-free aluminum body +Aluminum profile
Coating	Polyester powder coating with phosphochromating pre-finish
Light source	8x5050LED CRI>80
Standard Deviation Color Matching	:MacAdam step 3
Screws	Stainless steel
Transformer	Electronic power supply 220/240V 50/60Hz built-in or AC120-277V/DC12-24V
Gasket	Silicone rubber
Glass	Tempered
Power cable	1 mt. neoprene power cable included
Gross weight	(0.6m)4.5 Kg (0.8m)5.5 Kg (1m)6.5 Kg
Package size	(0.6m)66*23*22cm (0.8m)86*23*22cm (1m)106*23*22cm

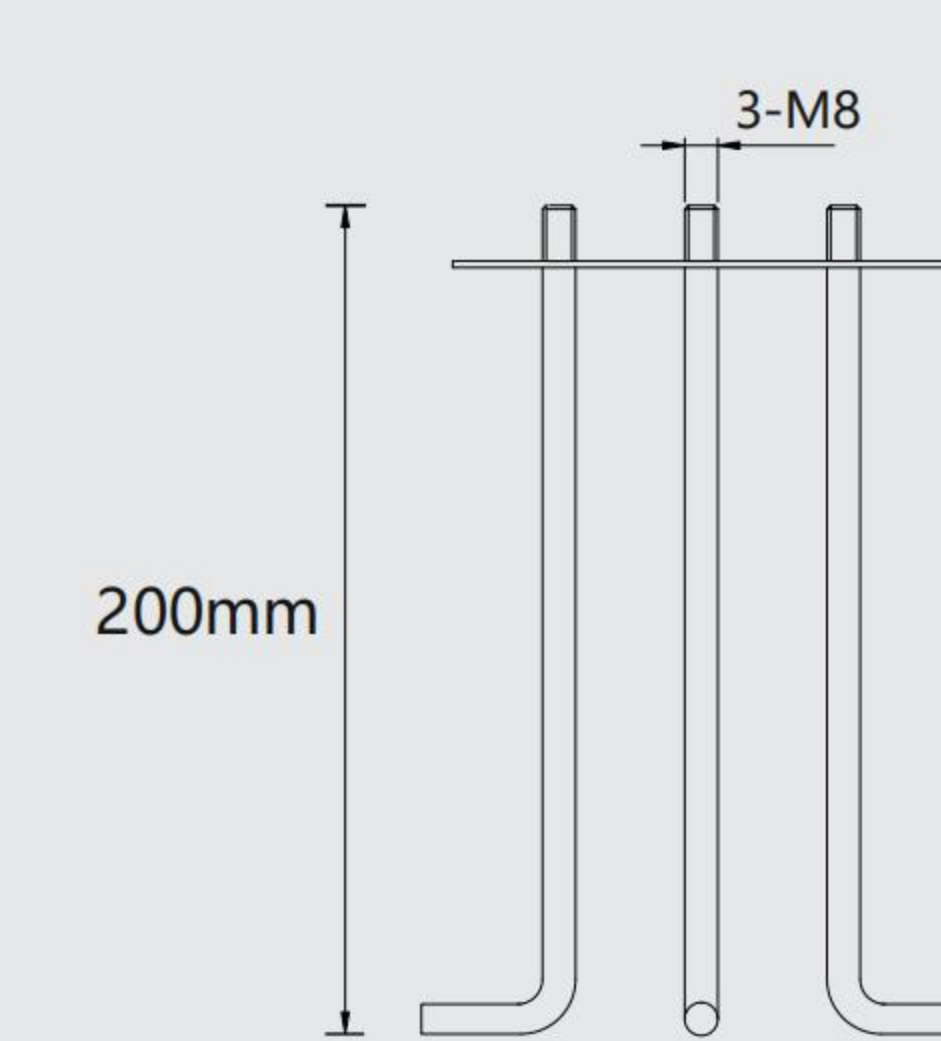
LAUGH

EL-BL

A series of LED light building elements with asymmetrical light distribution. Light building elements are luminous design features for public areas. They are ideally suited for delineating and structuring interior and exterior spaces such as landscape areas, plazas, building entrances



Option



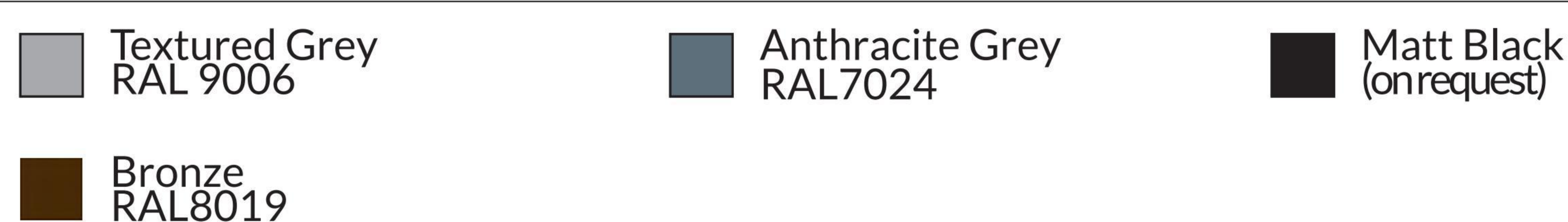
Concrete anchor 1023
Material: steel
*Need to be purchased separately

light source*	lumen output (lm)	lumin. efficacy (lm/w)	light beam options
5000K white			
LT-BL-24W	1920.0	80.0	Asymmetric 2*(70x150°)

3000/4000K CCT available on request

Bilateral light output

Finish color options :



Customizable in different finishing colors



Technical features



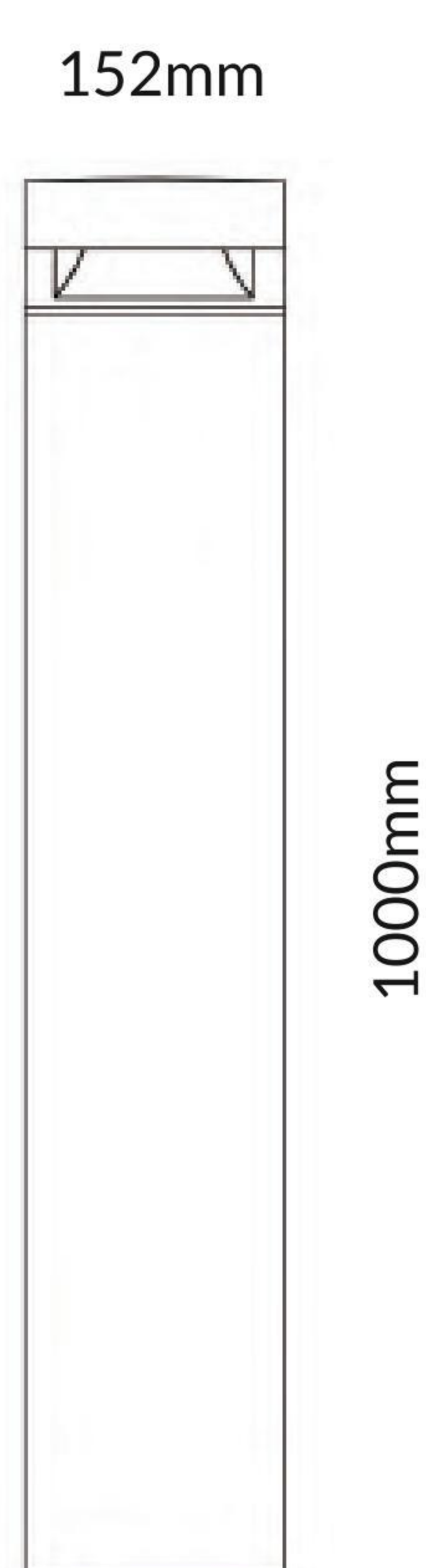
Technical data

Wattage	12W
IP Rating	IP65
IK Rating	IK08
Material	High corrosion resistance die-cast copper-free aluminum body +Aluminum profile
Coating	Polyester powder coating with phosphochromating pre-finish
Light source	18x2835LED CRI>80
Standard Deviation Color Matching	:MacAdam step 3
Screws	Stainless steel
Transformer	Electronic power supply 220/240V 50/60Hz built-in or AC120-277V/DC12-24V
Gasket	Silicone rubber
Glass	Tempered
Power cable	1 mt. neoprene power cable included
Gross weight	(0.6m)4.5 Kg (0.8m)5.5 Kg (1m)6.5 Kg
Package size	(0.6m)66*23*22cm (0.8m)86*23*22cm (1m)106*23*22cm

ECLIPSE

EL-YS

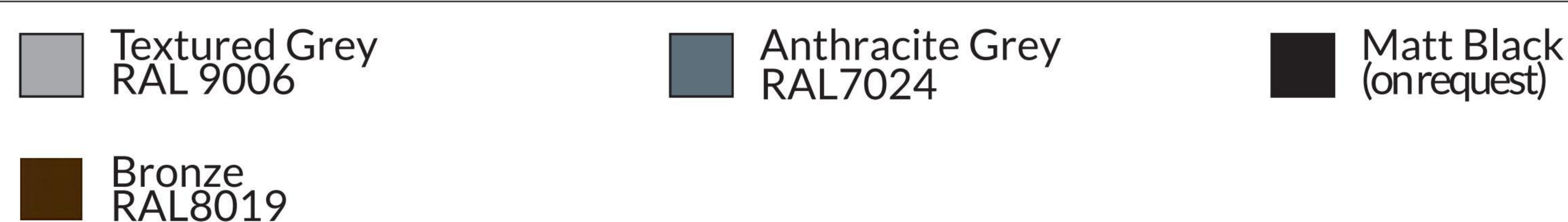
Super comfort, no glare at all
 180° and 360° symmetrical light distribution
 Die-cast aluminum fixture with polyester powder coating on the surface
 IK08 IP65 protection level
 Multiple installation options



light source*	lumen output (lm)	lumin. efficacy (lm/w)	light beam options
5000K white			
LT-YS-12W	497.0	42.0	Symmetry 180°

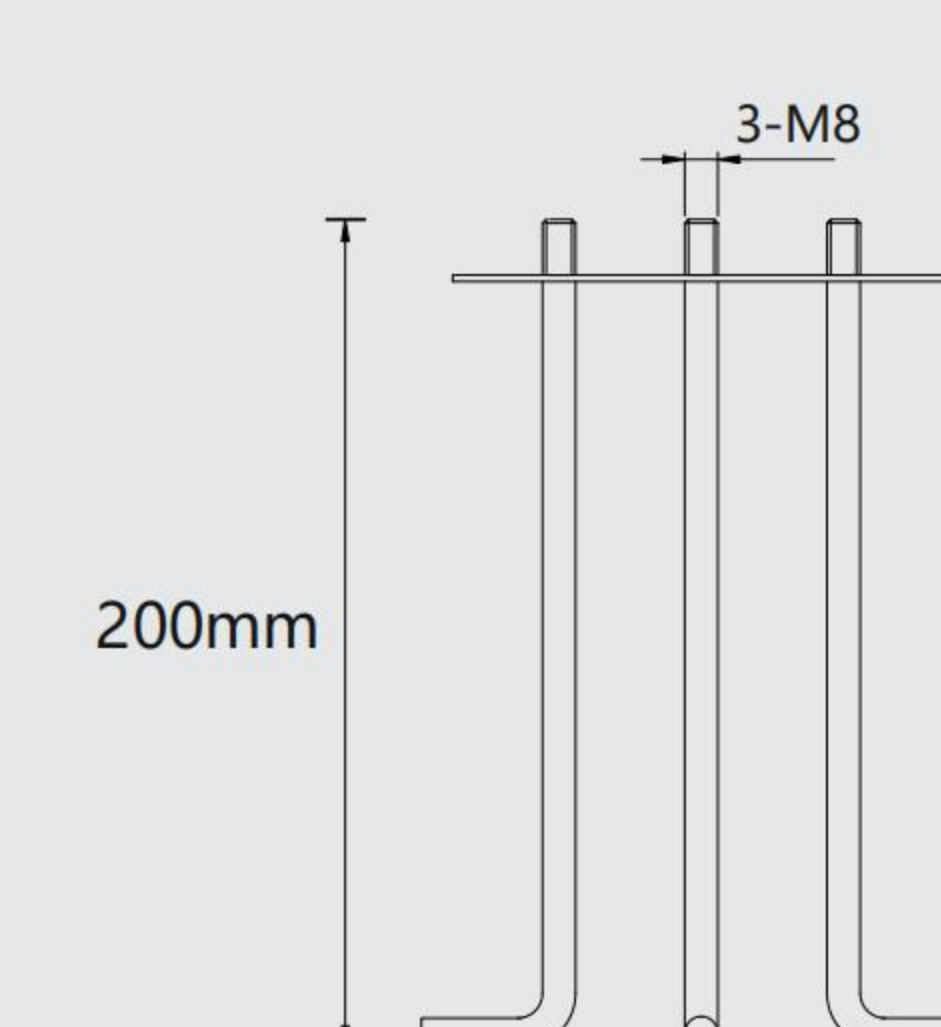
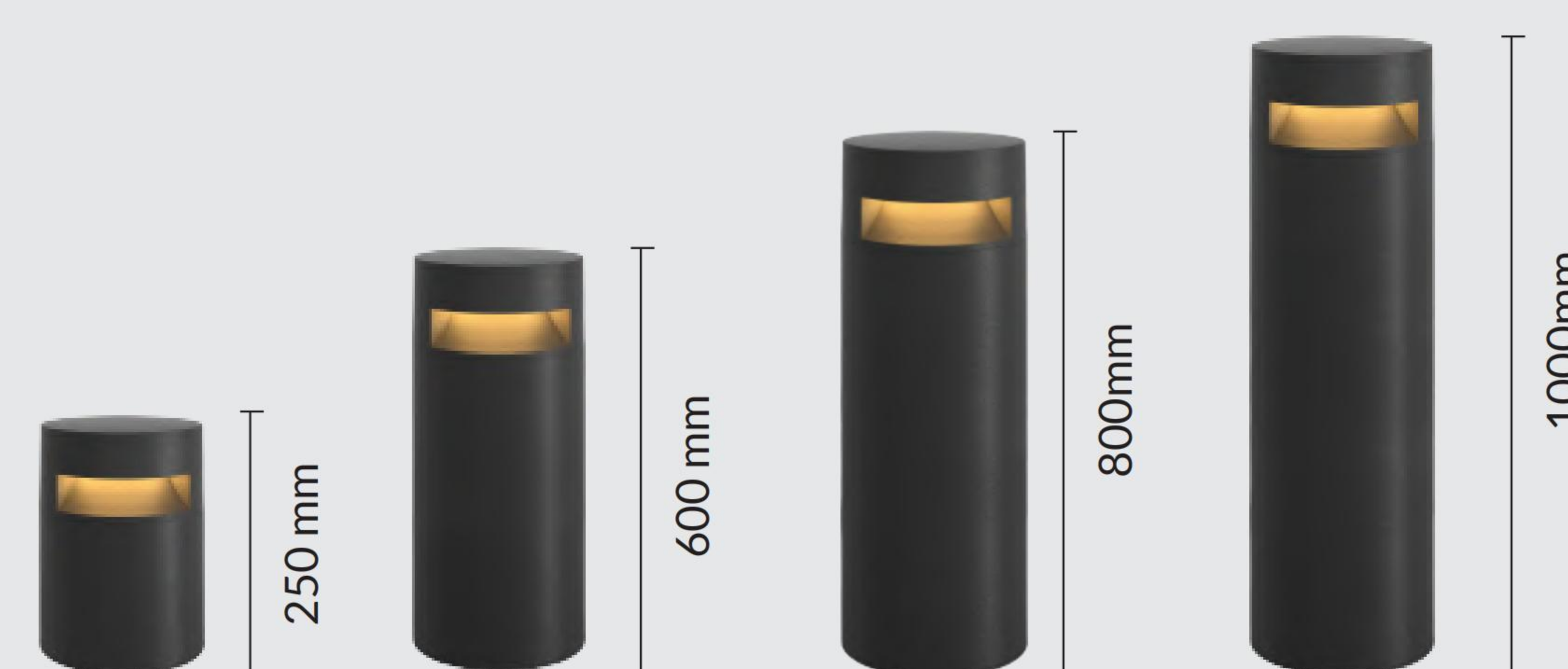
3000/4000K CCT available on request

Finish color options :



Customizable in different finishing colors

Option



Concrete anchor 1023
 Material: steel
 *Need to be purchased separately



Technical features



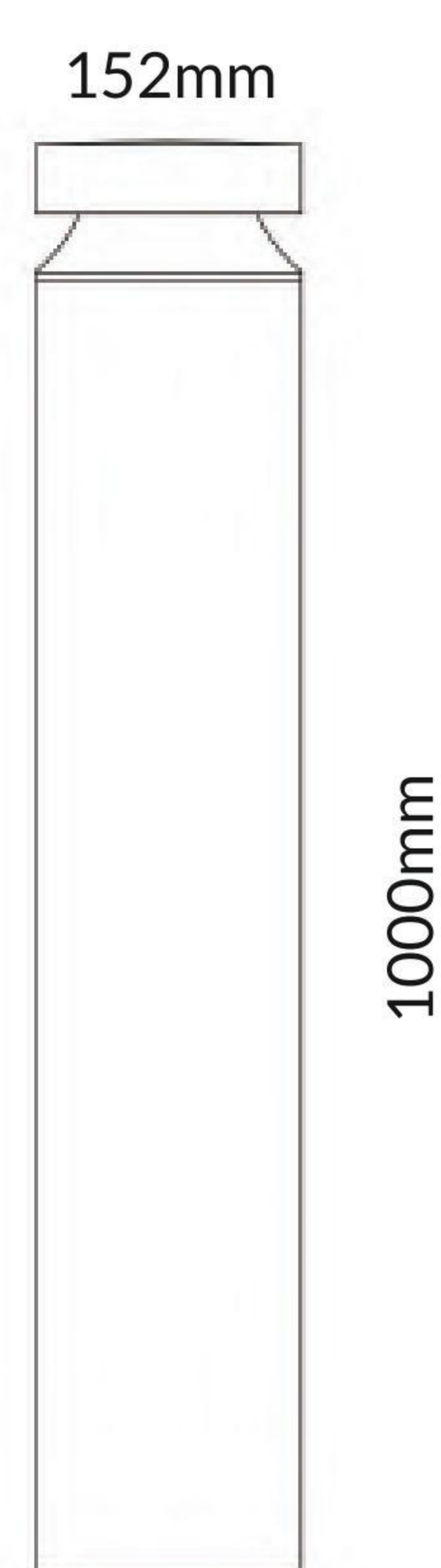
Technical data

Wattage	24W
IP Rating	IP65
IK Rating	IK08
Material	High corrosion resistance die-cast copper-free aluminum body +Aluminum profile
Coating	Polyester powder coating with phosphochromating pre-finish
Light source	24x2835LED CRI>80
Standard Deviation Color Matching	:MacAdam step 3
Screws	Stainless steel
Transformer	Electronic power supply 220/240V 50/60Hz built-in or AC120-277V/DC12-24V
Gasket	Silicone rubber
Glass	Tempered
Power cable	1 mt. neoprene power cable included
Gross weight	(0.6m)4.5 Kg (0.8m)5.5 Kg (1m)6.5 Kg
Package size	(0.6m)66*23*22cm (0.8m)86*23*22cm (1m)106*23*22cm

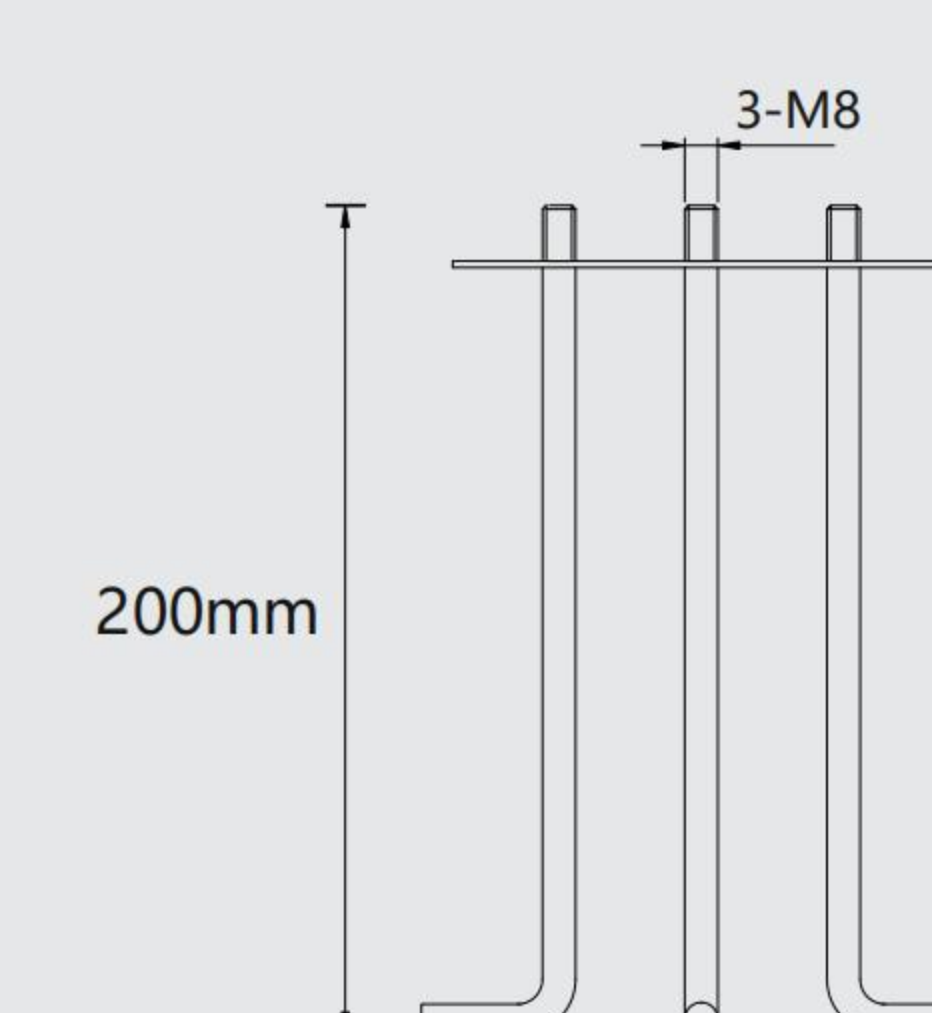
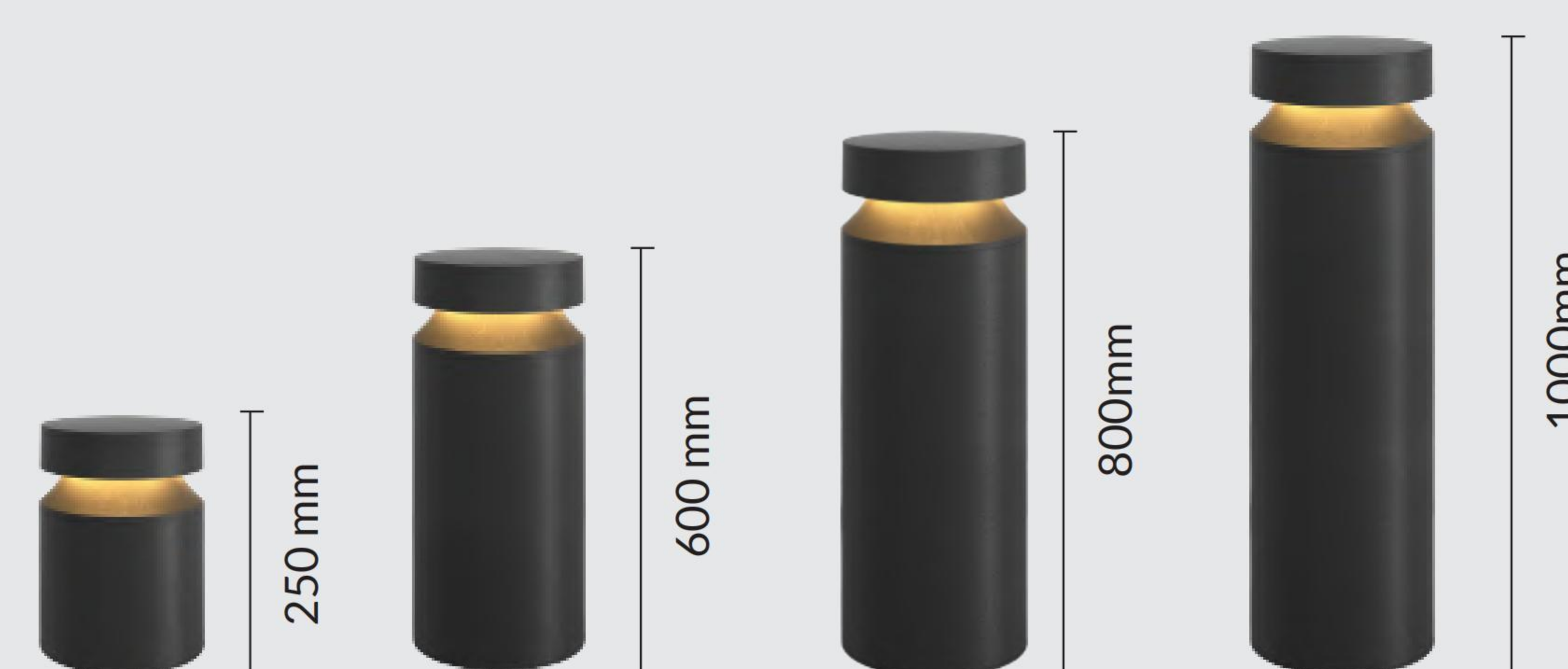
ECLIPSE

EL-YS

Super comfort, no glare at all
 180° and 360° symmetrical light distribution
 Die-cast aluminum fixture with polyester powder coating on the surface
 IK08 IP65 protection level
 Multiple installation options



Option

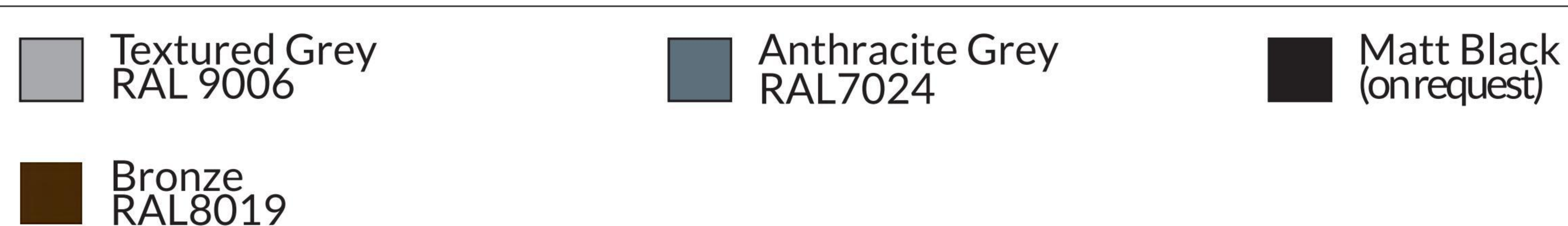


Concrete anchor 1023
 Material: steel
 *Need to be purchased separately

light source*	lumen output (lm)	lumin. efficacy (lm/w)	light beam options
5000K white			
LT-YS-24W	1008.0	42.0	Symmetry (360°)

3000/4000K CCT available on request

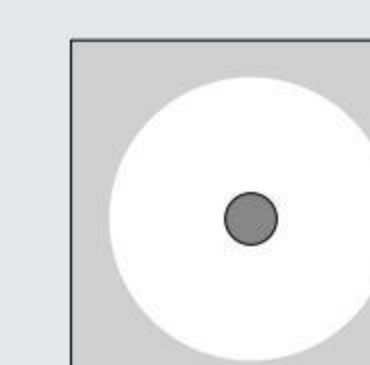
Finish color options :



Customizable in different finishing colors



Technical features



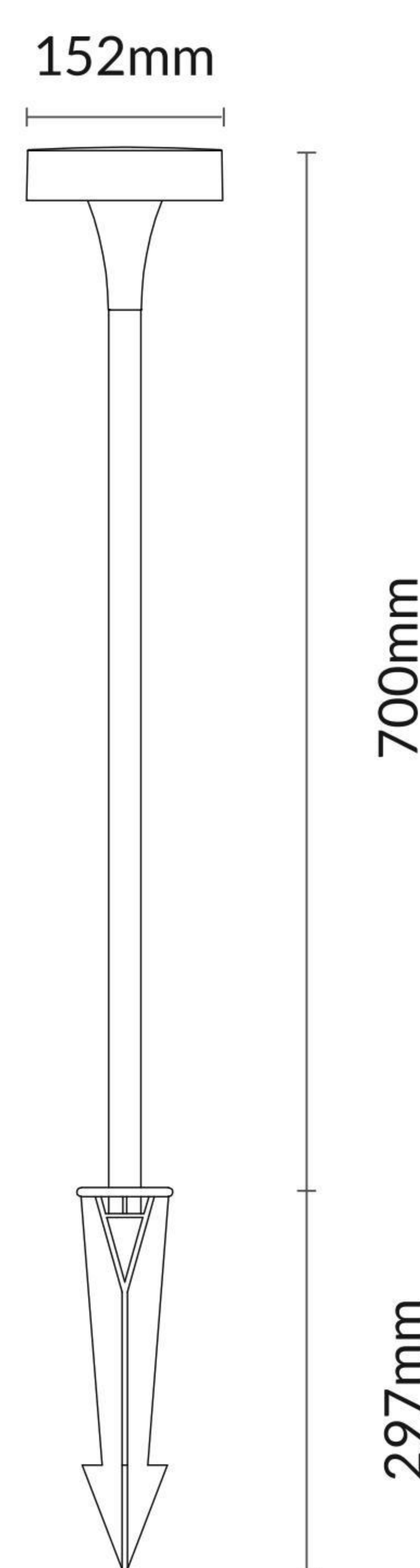
Technical data

Wattage	10W
IP Rating	IP65
IK Rating	IK08
Material	High corrosion resistance die-cast copper-free aluminum body +Aluminum profile
Coating	Polyester powder coating with phosphocromating pre-finish
Light source	24x2835LED CRI>80
Standard Deviation Color Matching	:MacAdam step 3
Screws	Stainless steel
Transformer	Electronic power supply 220/240V 50/60Hz built-in or AC120-277V/DC12-24V
Gasket	Silicone rubber
Glass	Tempered
Power cable	1 mt. neoprene power cable included

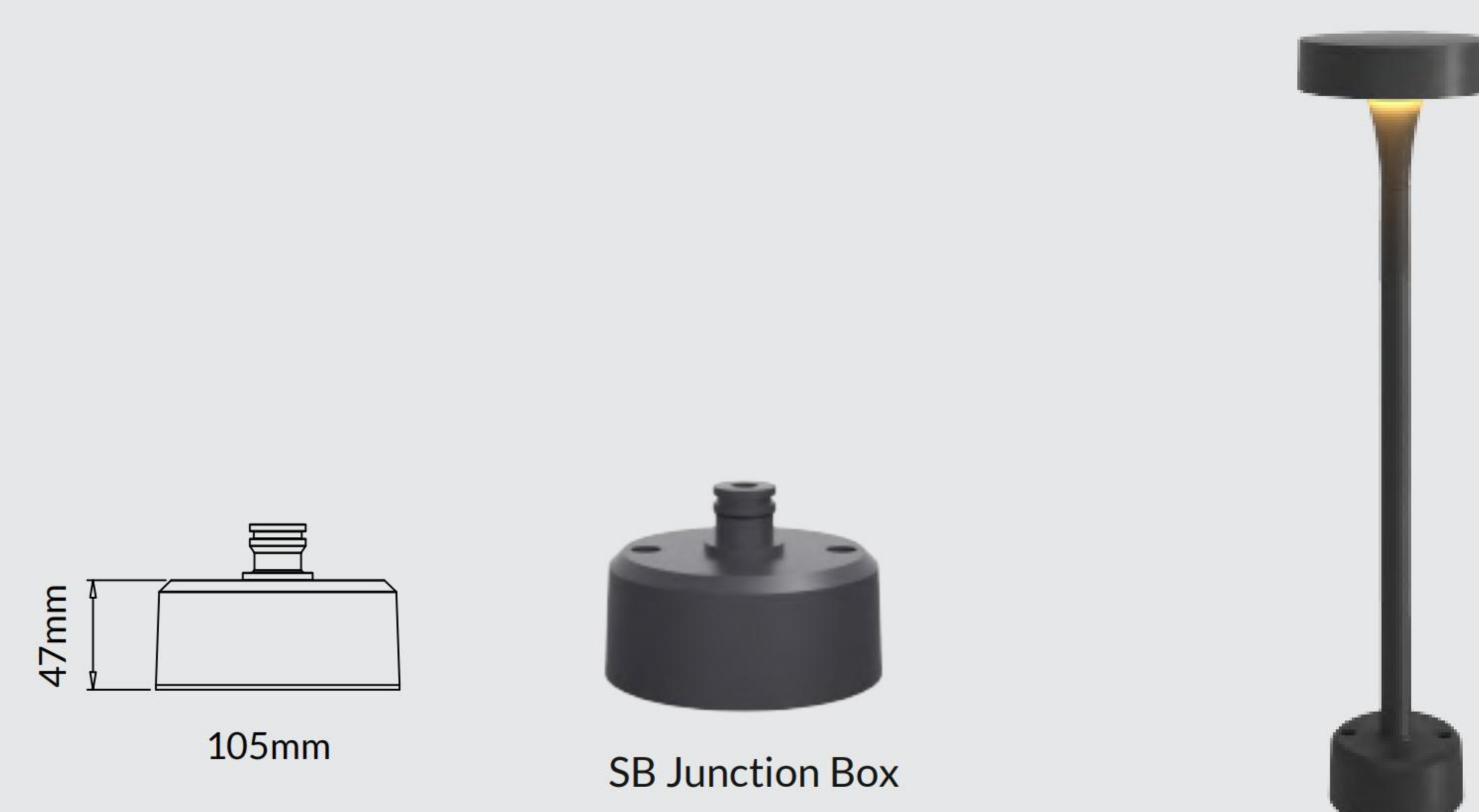
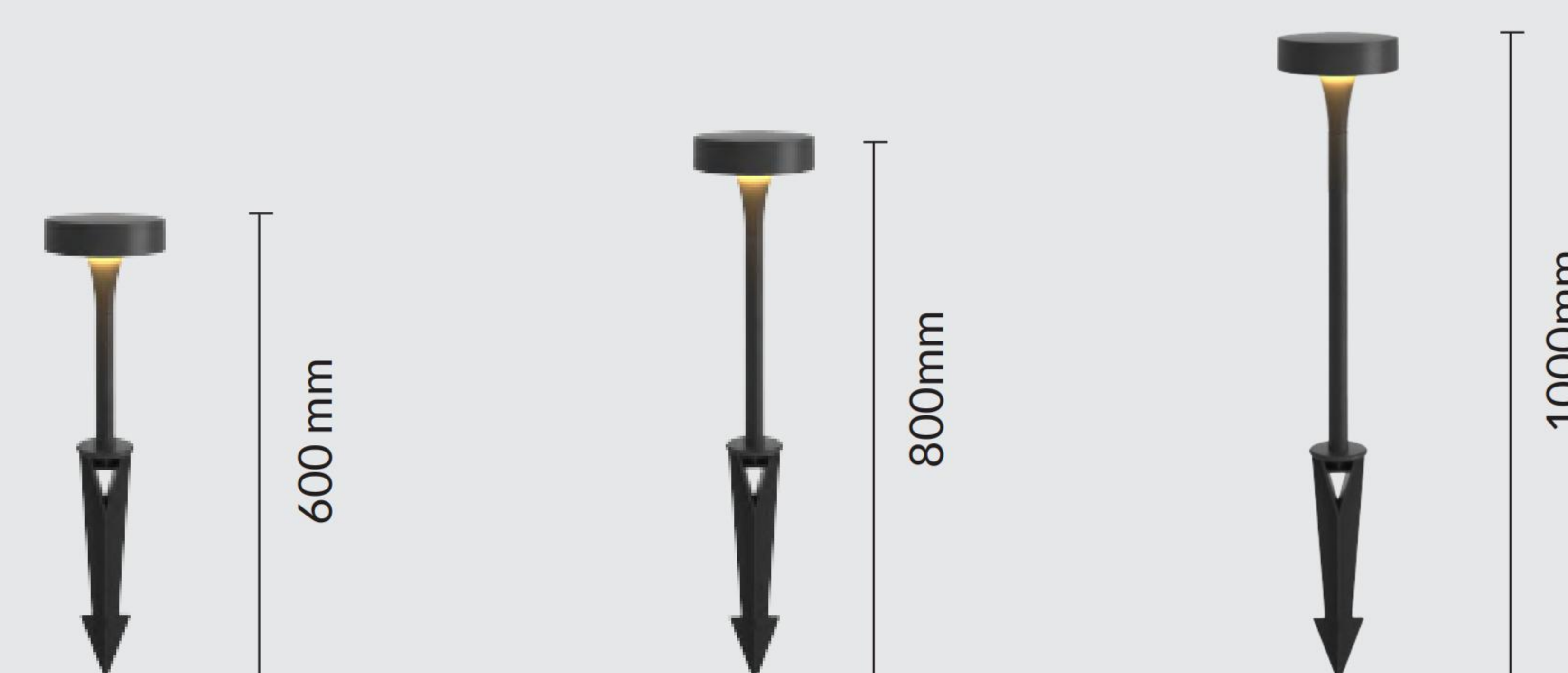
ECLIPSE

EL-YS

Super comfort, no glare at all
 180° and 360° symmetrical light distribution
 Die-cast aluminum fixture with polyester powder coating on the surface
 IK08 IP65 protection level
 Multiple installation options



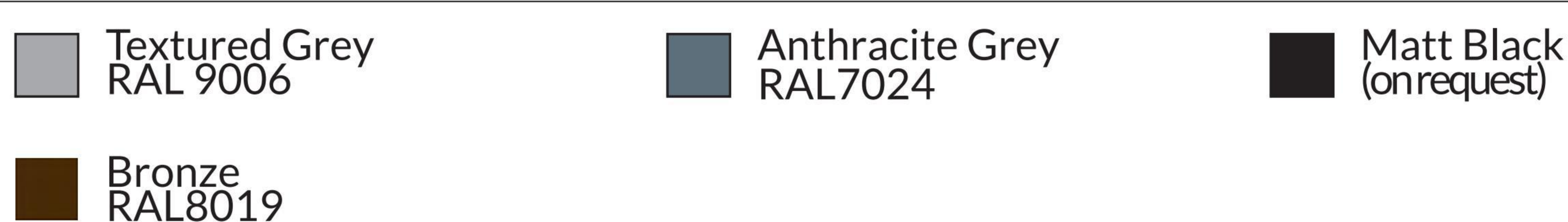
Option



light source*	lumen output (lm)	lumin. efficacy (lm/w)	light beam options
5000K white			
LT-YS-10W	700.0	70.0	Symmetry 360°

3000/4000K CCT available on request

Finish color options :



Customizable in different finishing colors



Technical features



Technical data

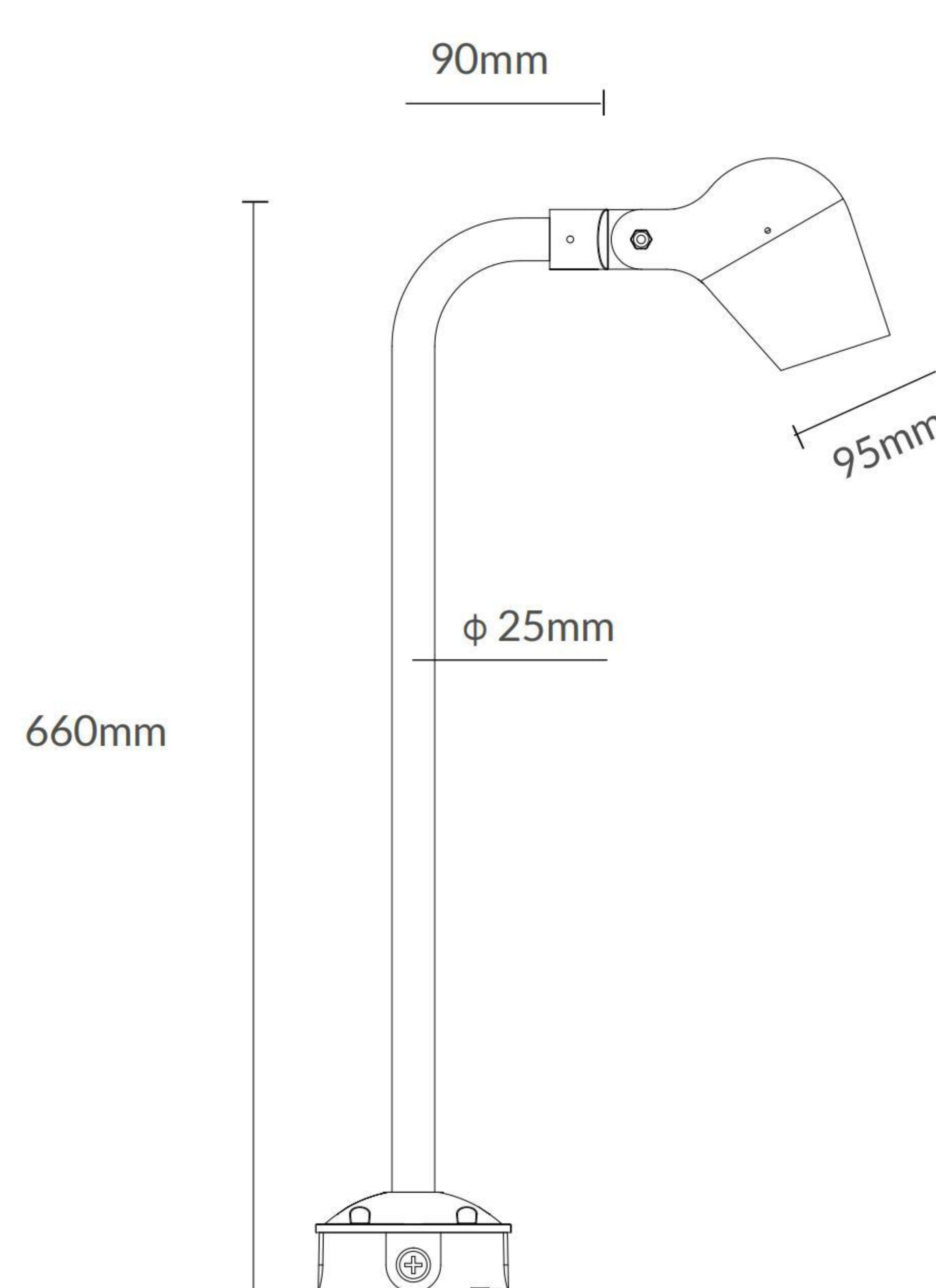
Wattage	7W
IP Rating	IP66
IK Rating	IK06
Material	High corrosion resistance die-cast copper-free aluminum body
Coating	Polyester powder coating with phosphochromating pre-finish
Light source	1xCOB CRI>80
Standard Deviation Color Matching	:MacAdam step 3
Screws	Stainless steel
Transformer	Electronic power supply AC120-277V or DC12-24V
Gasket	Silicone rubber
Glass	Tempered
Power cable	1 mt. neoprene power cable included



ROSE

EL-SL BOLLARD LIGHT 1.0

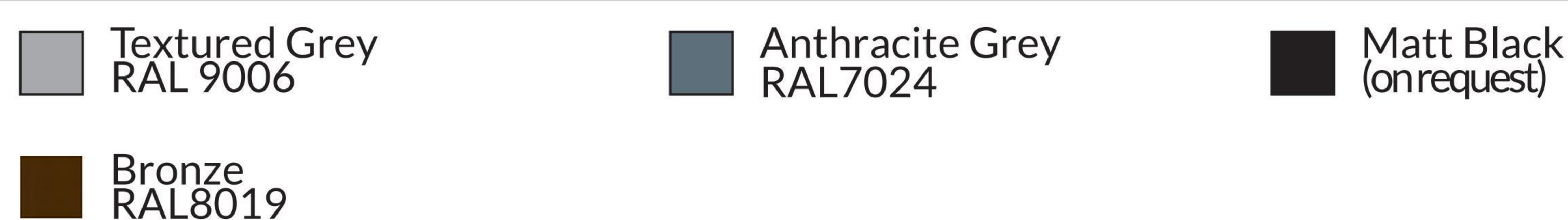
Small bollards for private gardens with various sizes and angles to choose from.



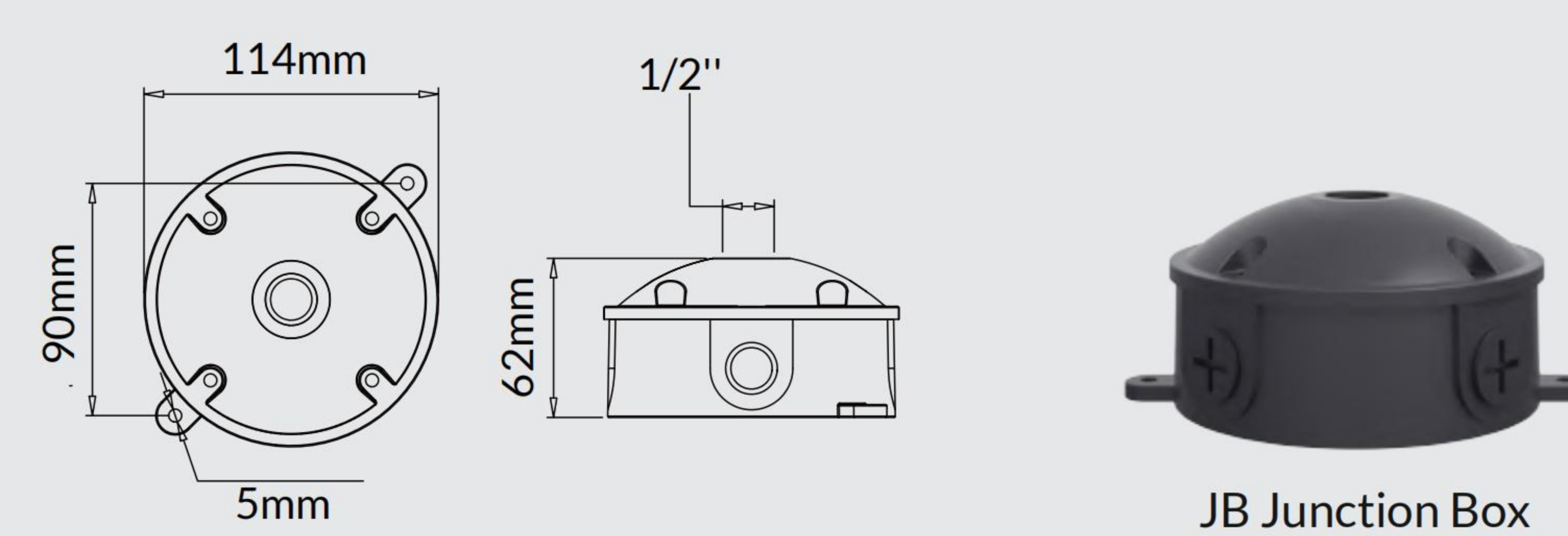
light source*	lumen output (lm)	lumin. efficacy (lm/w)	light beam options										
3000°K warm-white													
7W COB	700.0	100.0	<table border="1"> <tr> <td></td> <td>15°</td> </tr> <tr> <td></td> <td>24°</td> </tr> <tr> <td></td> <td>36°</td> </tr> <tr> <td></td> <td>60°</td> </tr> <tr> <td></td> <td>40*70°</td> </tr> </table>		15°		24°		36°		60°		40*70°
	15°												
	24°												
	36°												
	60°												
	40*70°												

2700/4000/5000K CCT available on request

Finish color options :



Customizable in different finishing colors



Extension arm

Material: Aluminum profile
Specification: Thickness 4mm, φ 25mm
*Length can be customized



Technical features



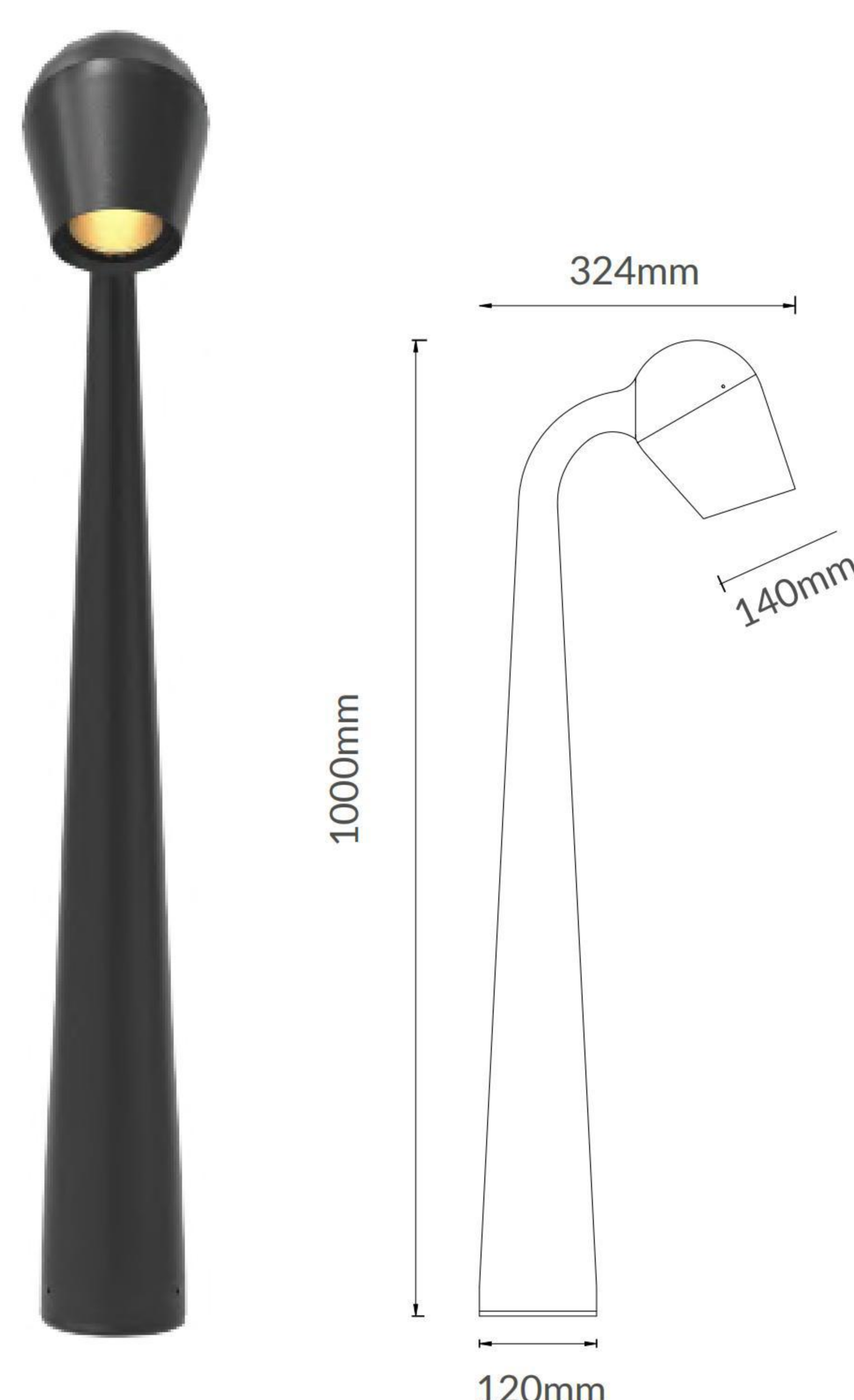
Technical data

Wattage	20W
IP Rating	IP66
IK Rating	IK06
Material	High corrosion resistance die-cast copper-free aluminum body
Coating	Polyester powder coating with phosphochromating pre-finish
Light source	1x COB CRI>90
Standard Deviation Color Matching :MacAdam step 3	
Screws	Stainless steel
Transformer	Electronic power supply AC120-277V or DC12-24V
Gasket	Silicone rubber
Glass	Tempered
Power cable	1 mt. neoprene power cable included
Gross weight	4.5 Kg

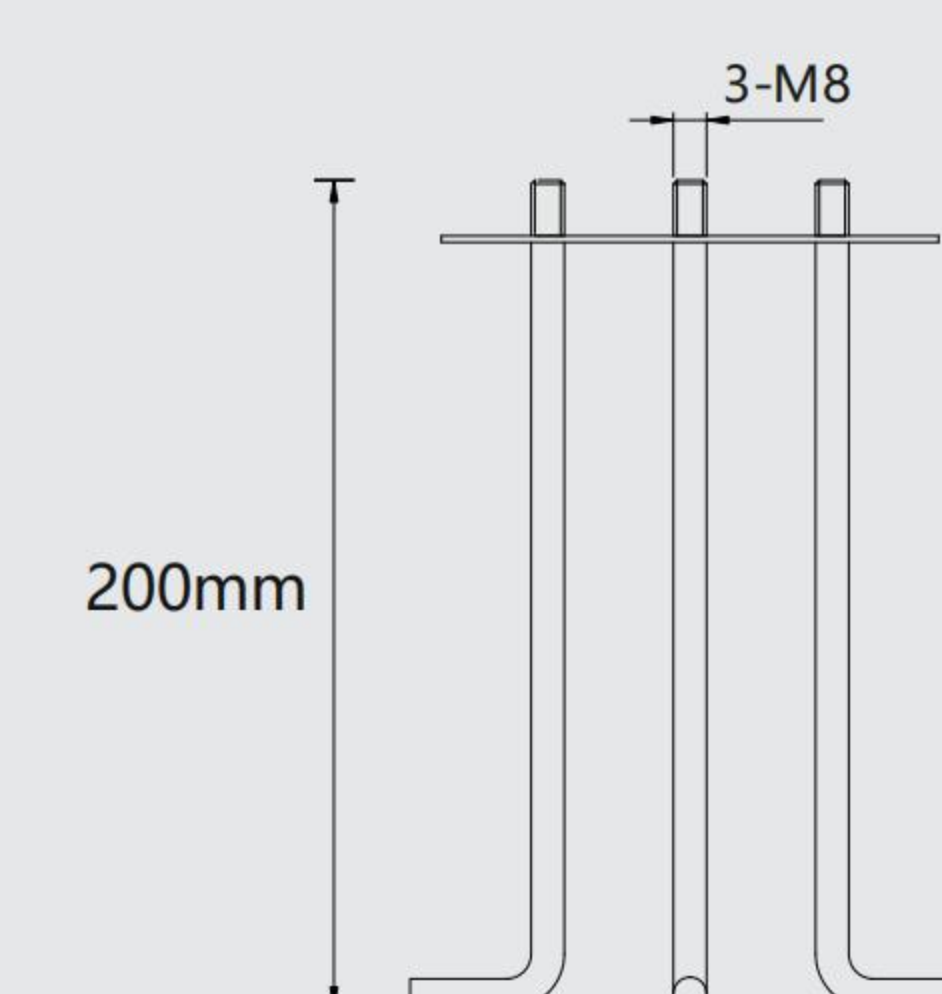
ROSE

EL-SL BOLLARD LIGHT 2.0

1000mm height bollard, taper shape, for outdoor surface installation, multiple angle glow options, phosphochromatised and polyester powder coated die-cast copper-free aluminium body, polycarbonate diffuser, moulded silicone gasket and stainless steel screws. Anchorage bolts included. Built-in LED driver IP66 rating.



Option

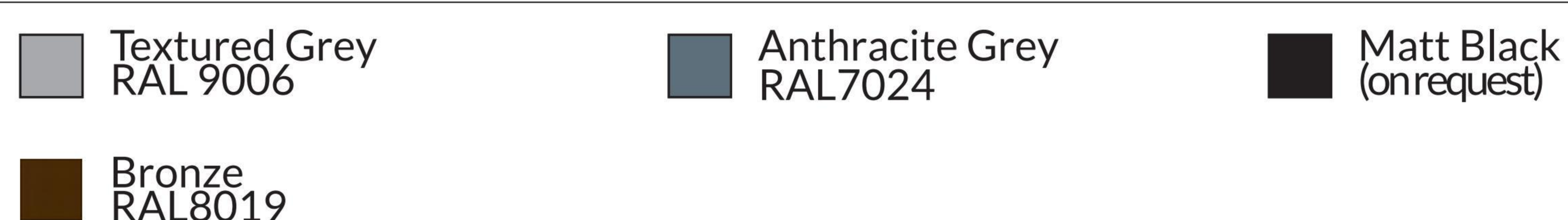


Concrete anchor 1023
Material: steel
*Need to be purchased separately

light source*	lumen output (lm)	lumin. efficacy (lm/w)	light beam options
3000°K warm-white			
20W COB	2000.0	100.0	

2700/4000/5000K CCT available on request

Finish color options :



Customizable in different finishing colors



Technical features



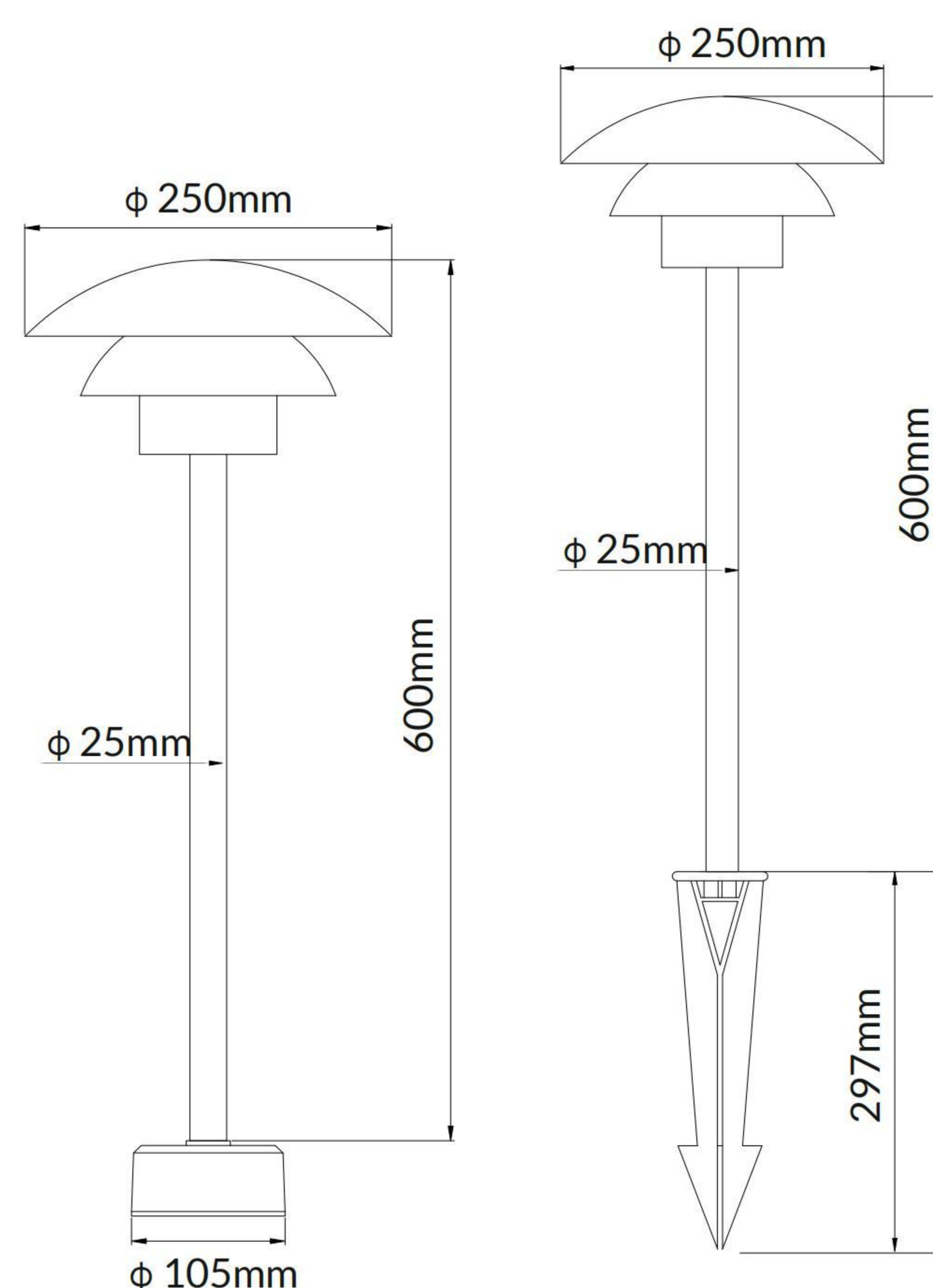
Technical data

Wattage	10W
IP Rating	IP65
IK Rating	IK06
Material	High corrosion resistance die-cast copper-free aluminum body +Aluminum profile
Coating	Polyester powder coating with phosphochromating pre-finish
Light source	24x2835LED CRI>80
Standard Deviation Color Matching	:MacAdam step 3
Screws	Stainless steel
Transformer	Electronic power supply 220/240V 50/60Hz built-in or AC120-277V/DC12-24V
Gasket	Silicone rubber
Glass	Tempered
Power cable	1 mt. neoprene power cable included
Gross weight	2 Kg

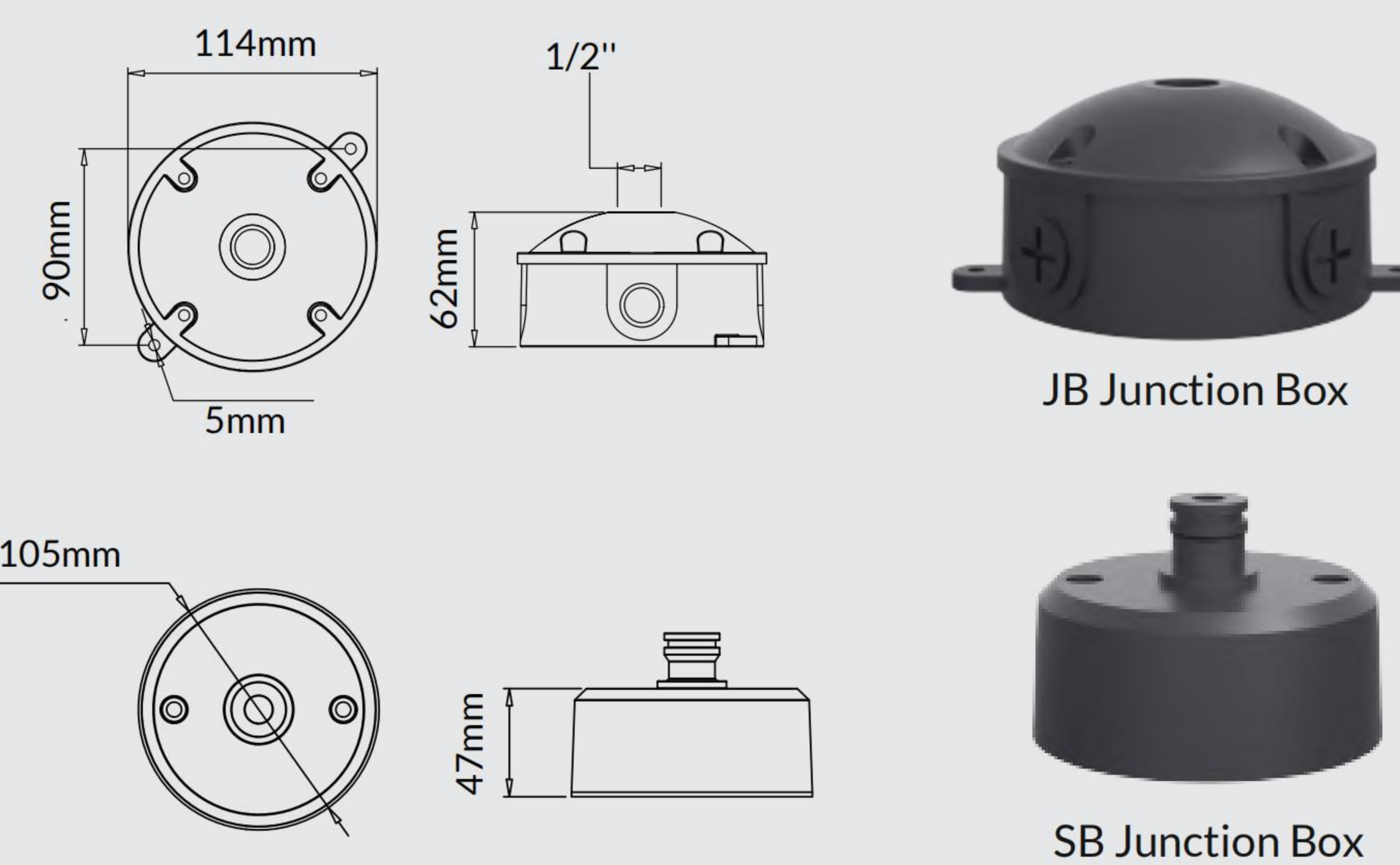
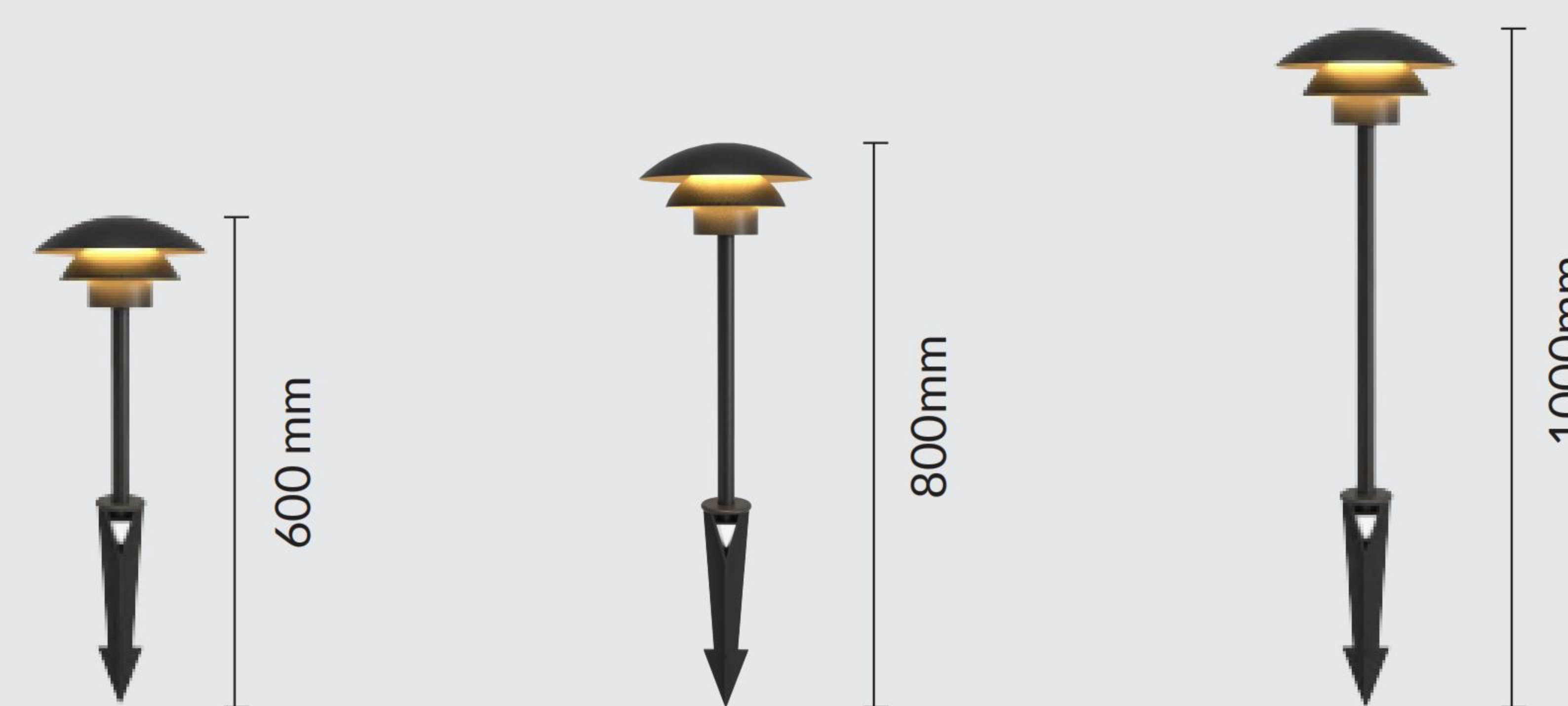
SHADOW

EL-YZ

The luminaire is designed on the principle of a reflective three-screen system, which directs the light downwards. The screens have a matte, white, lacquered inside, which diffuses the light so that it becomes comfortable to look at.



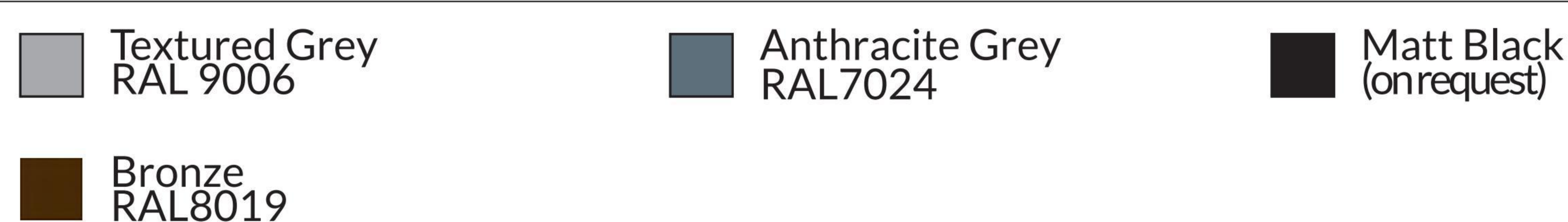
Option



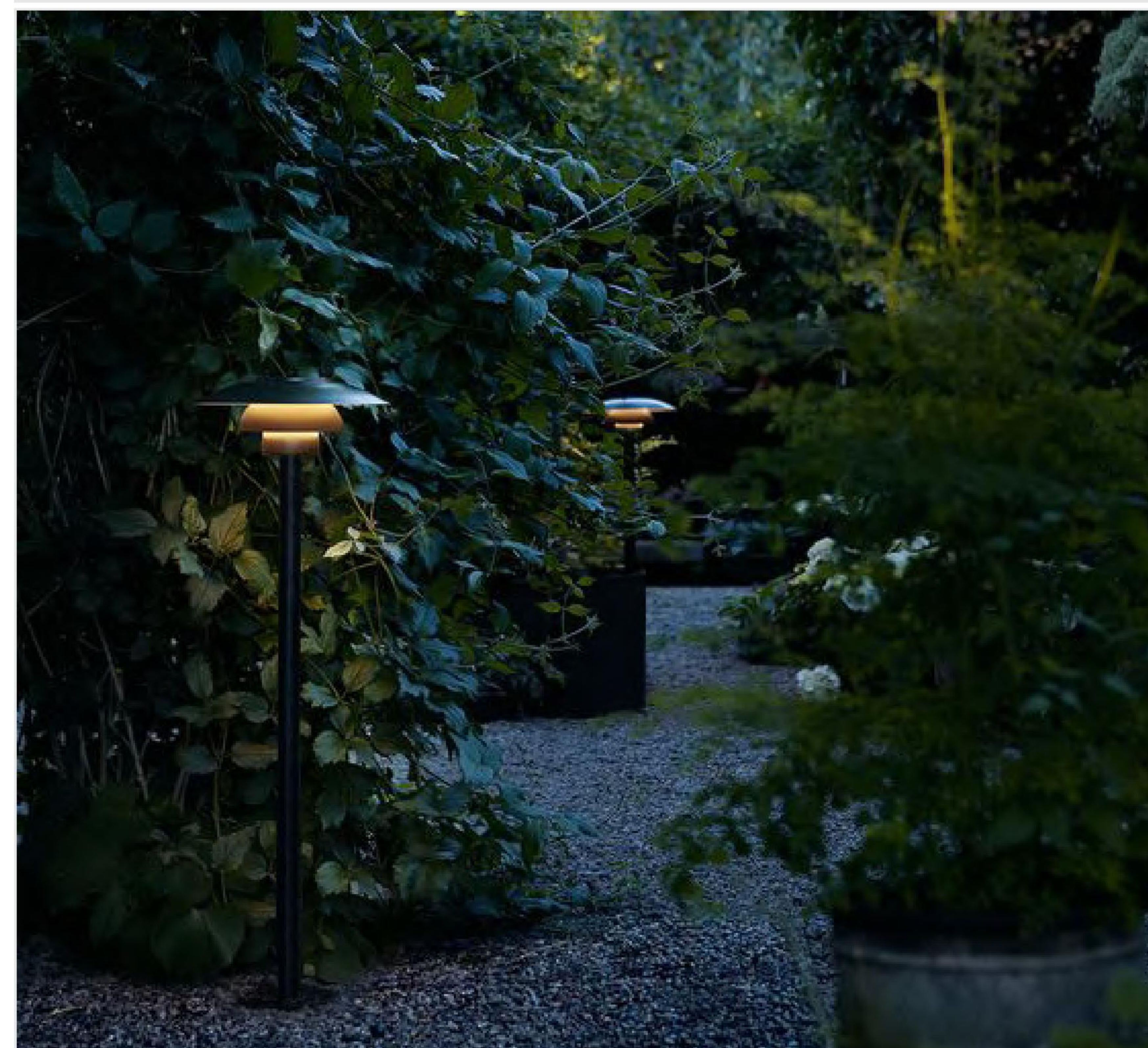
light source*	lumen output (lm)	lumin. efficacy (lm/w)	light beam options
5000K white			
LT-YS-10W	464.0	46.4	Indirect luminescence

3000/4000K CCT available on request

Finish color options :



Customizable in different finishing colors



Technical features



Technical data

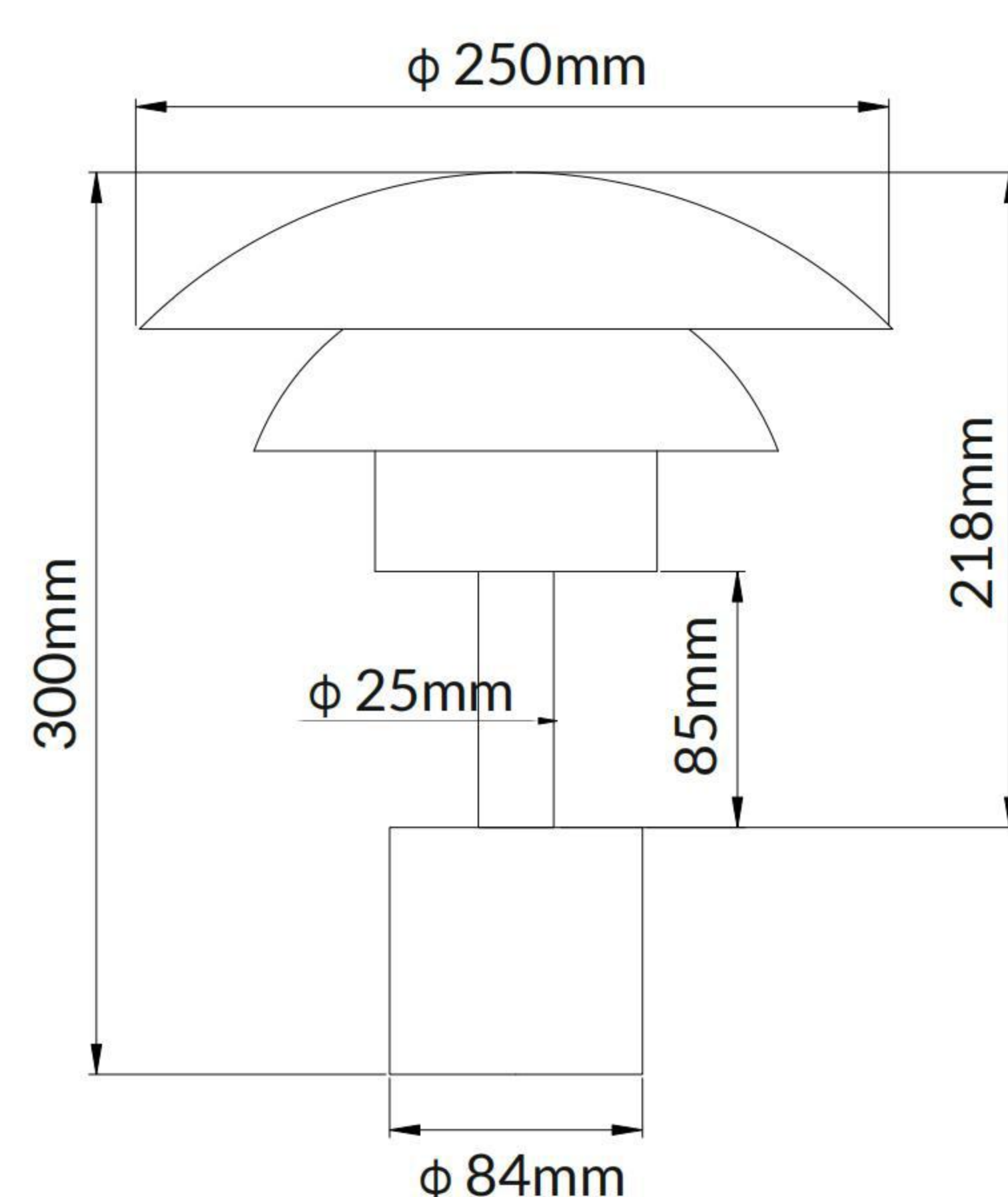
Wattage	20W
IP Rating	IP65
IK Rating	IK06
Material	High corrosion resistance die-cast copper-free aluminum body +Aluminum profile
Coating	Polyester powder coating with phosphochromating pre-finish
Light source	24x2835LED CRI> 80
Standard Deviation Color Matching	:MacAdam step 3
Screws	Stainless steel
Transformer	Electronic power supply 220/240V 50/60Hz built-in or AC120-277V/DC12-24V
Gasket	Silicone rubber
Glass	Tempered
Power cable	1 mt. neoprene power cable included
Gross weight	2 Kg



SHADOW

EL-YZ

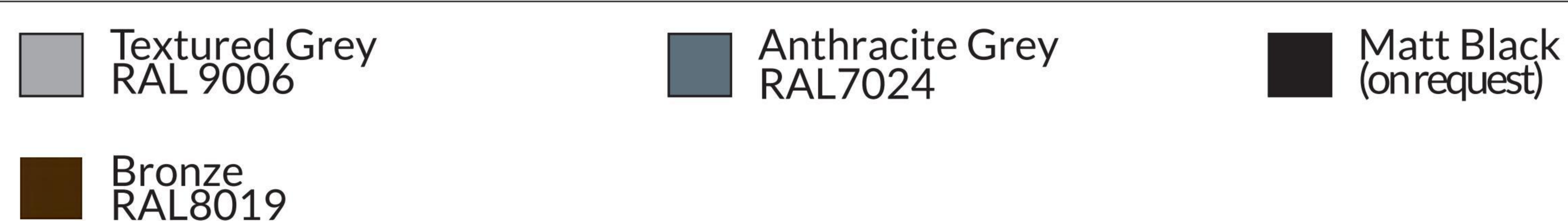
The luminaire is designed on the principle of a reflective three-screen system, which directs the light downwards. The screens have a matte, white, lacquered inside, which diffuses the light so that it becomes comfortable to look at.



light source*	lumen output (lm)	lumin. efficacy (lm/w)	light beam options
5000K white			
LT-YS-20W	928.0	46.4	Indirect luminescence

3000/4000K CCT available on request

Finish color options :



Customizable in different finishing colors

Option

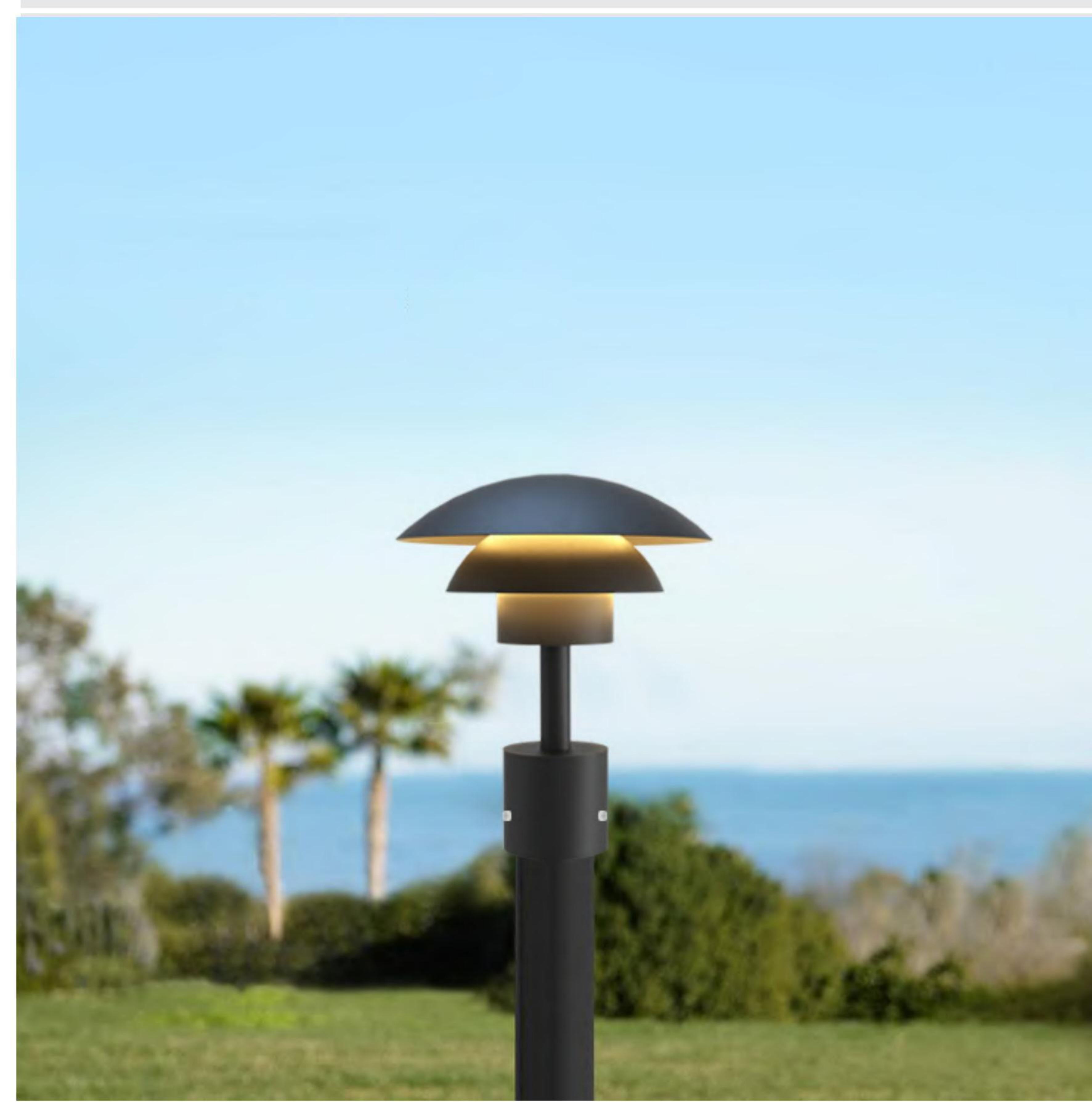


φ 60mm



φ 76mm

Material: Steel, surface hot-dip galvanized treatment and polyester powder spraying



STEP LIGHT



Technical features



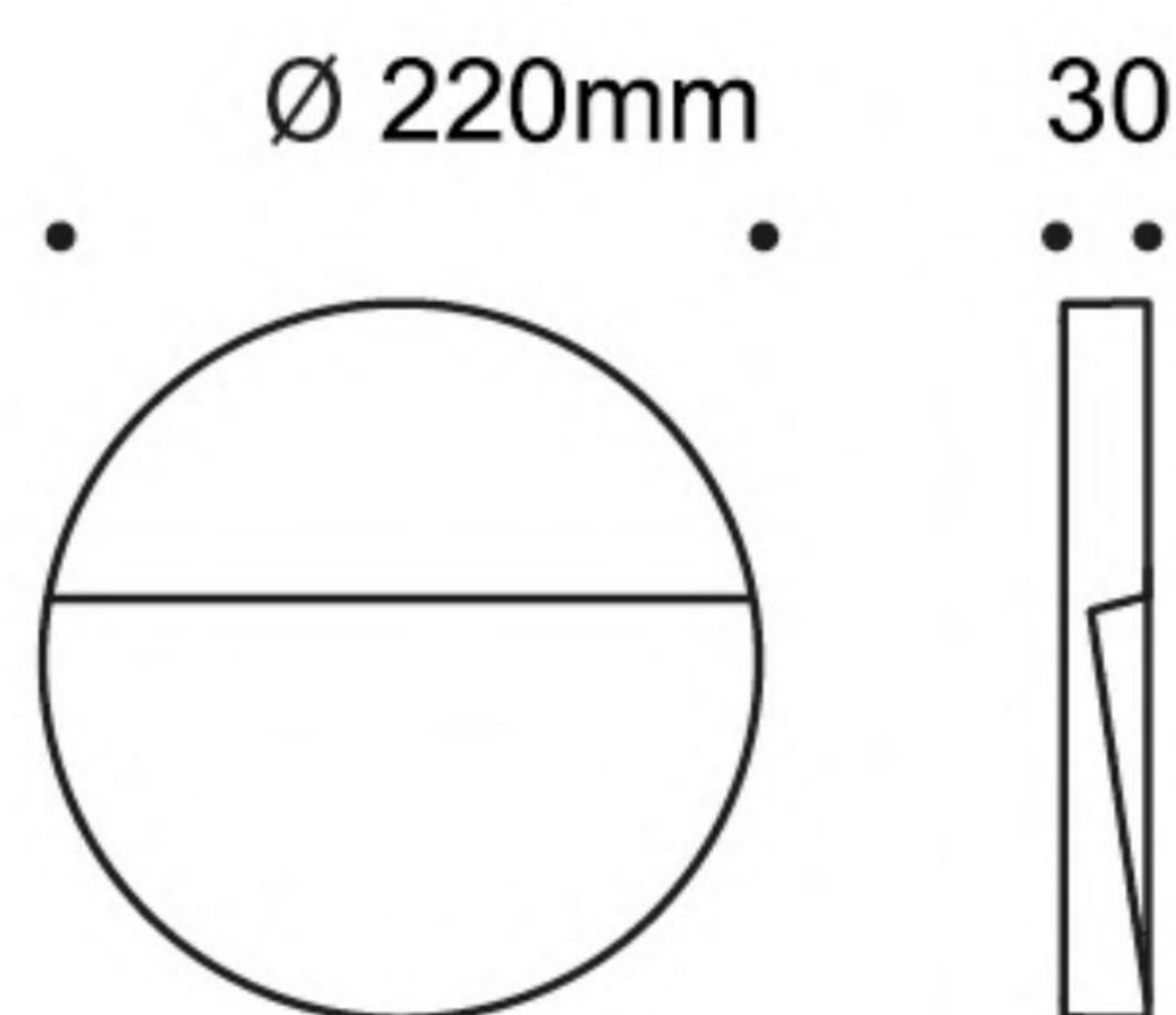
Technical data

Wattage	6W
IP Rating	IP65
IK Rating	IK06
Material	High corrosion resistance die-cast copper-free aluminum body
Coating	Polyester powder coating with phosphochromating pre-finish
Light source	12x2835LED CRI>80
Standard Deviation Color Matching	:MacAdam step 3
Screws	Stainless steel
Transformer	Electronic power supply 220/240V 50/60Hz built-in
Gasket	Silicone rubber
Glass	Tempered
Power Cables	Internal wiring
Gross weight	1 Kg

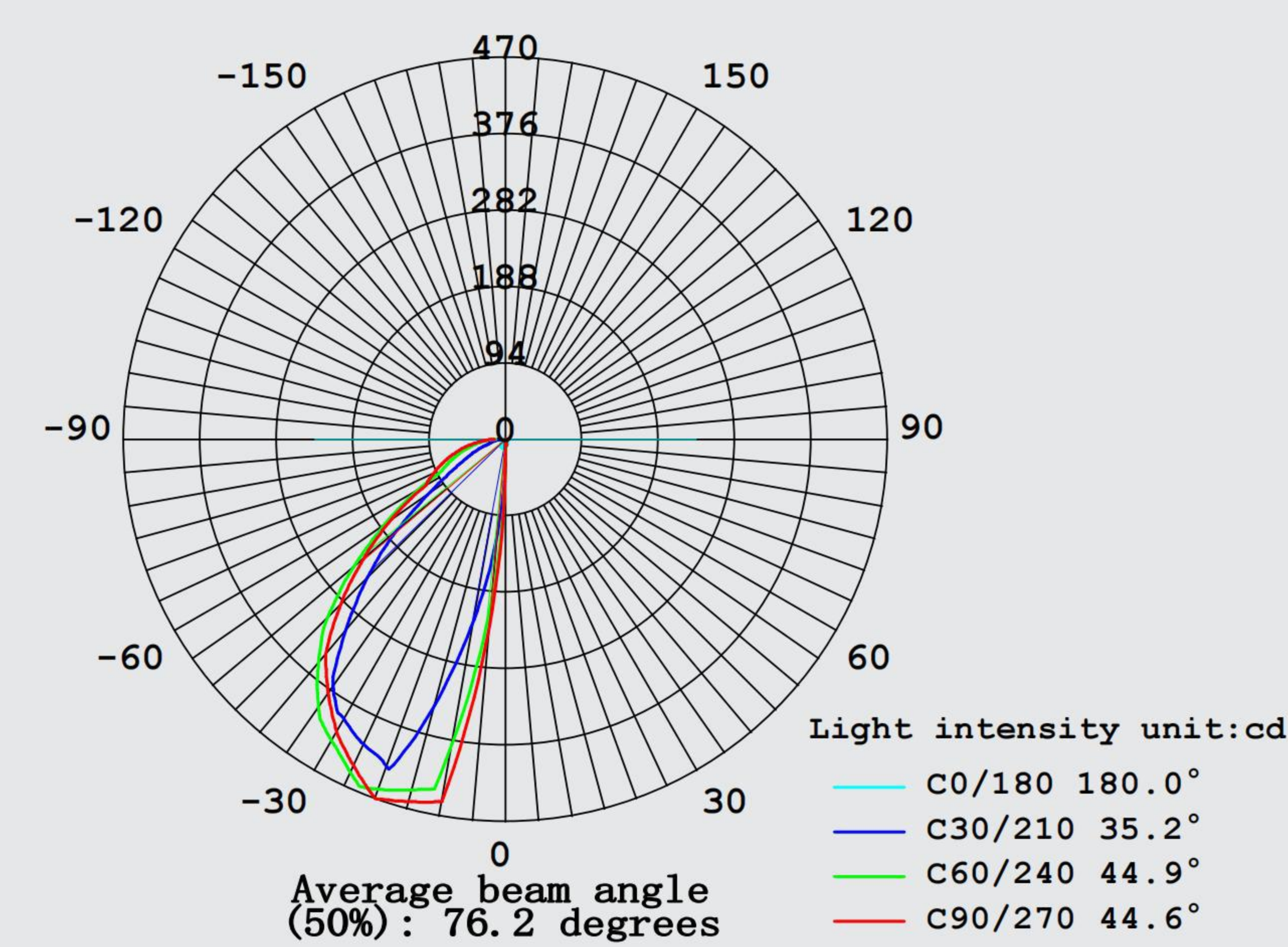
STEP LIGHT

EL-TJ-Y512

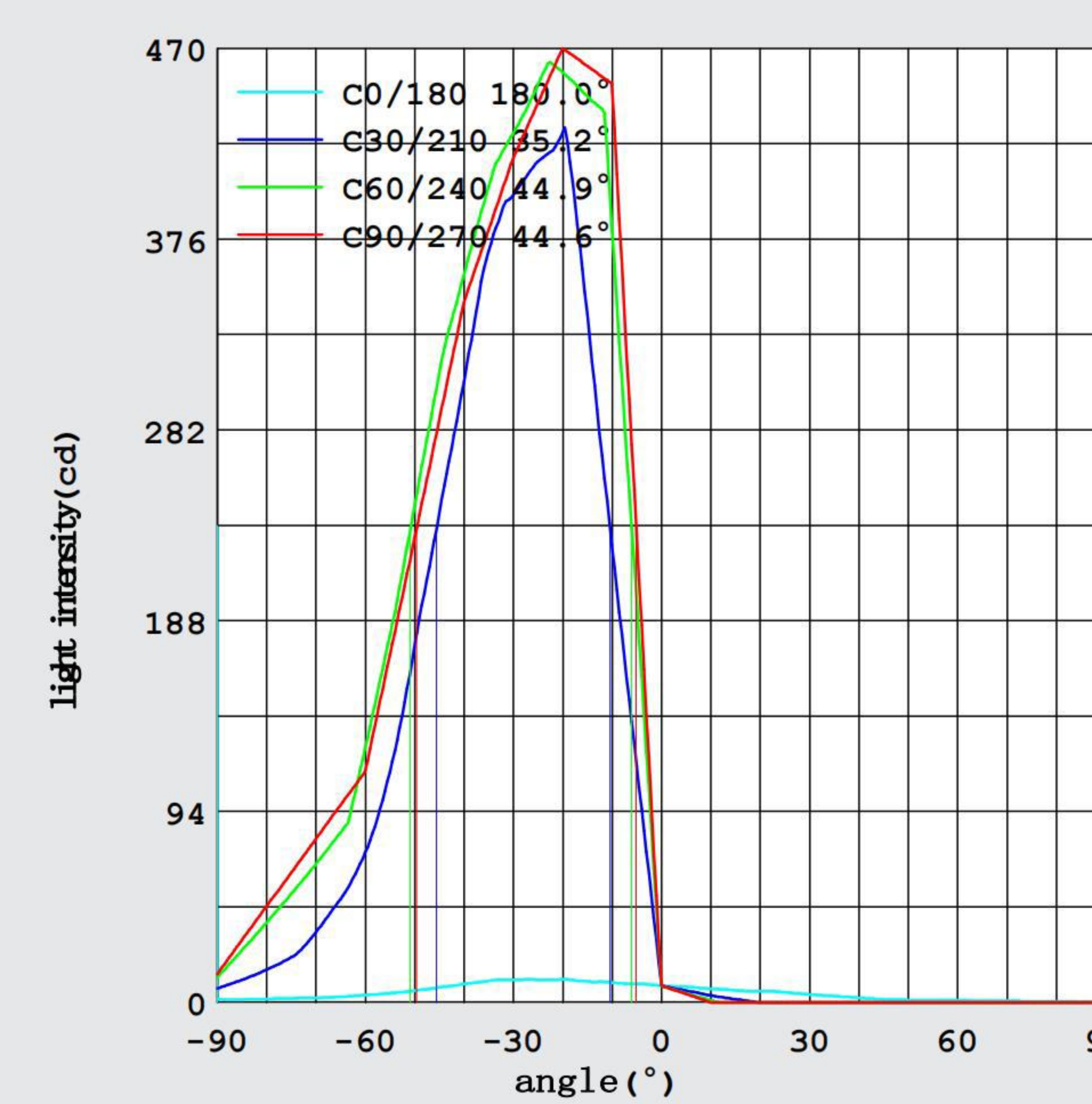
Lighting system for walkways designed for use with LED light sources to ensure high visual comfort.
Wall installation.
Built-in LED driver



Polar Coordinate Light Distribution Curve



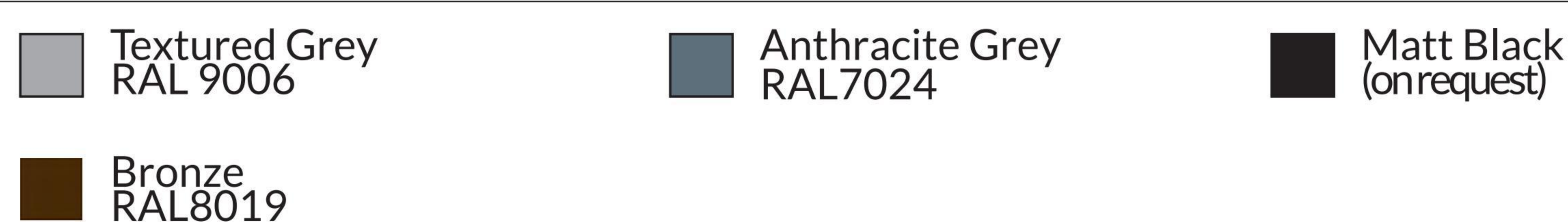
Cartesian coordinate light distribution curve
Light intensity distribution curve



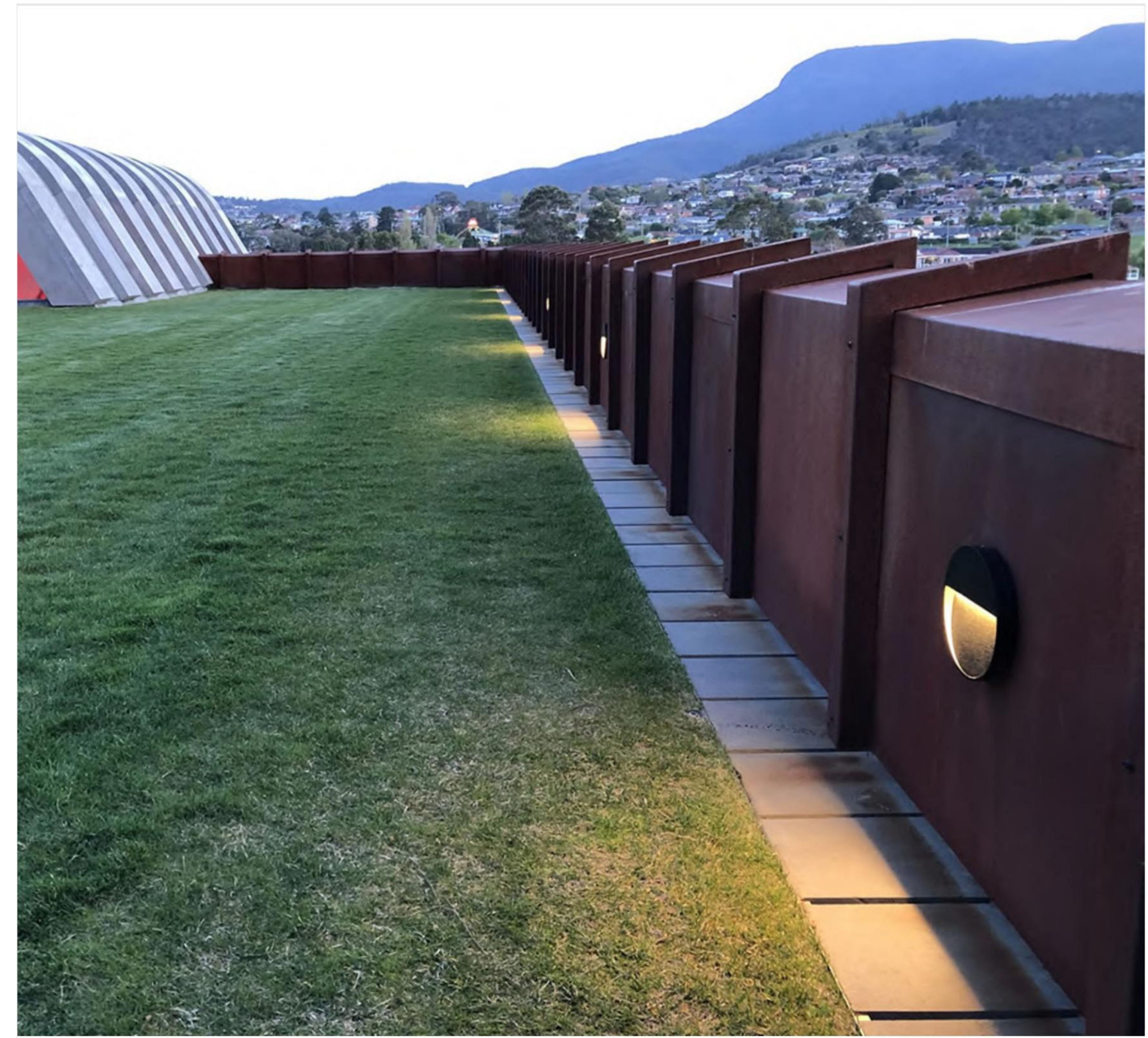
light source*	lumen output (lm)	lumin. efficacy (lm/w)	light beam options
5000K white			
LT-TJ-F512-6W	464.0	76.0	Asymmetric

3000/4000K CCT available on request

Finish color options :



Customizable in different finishing colors



Technical features



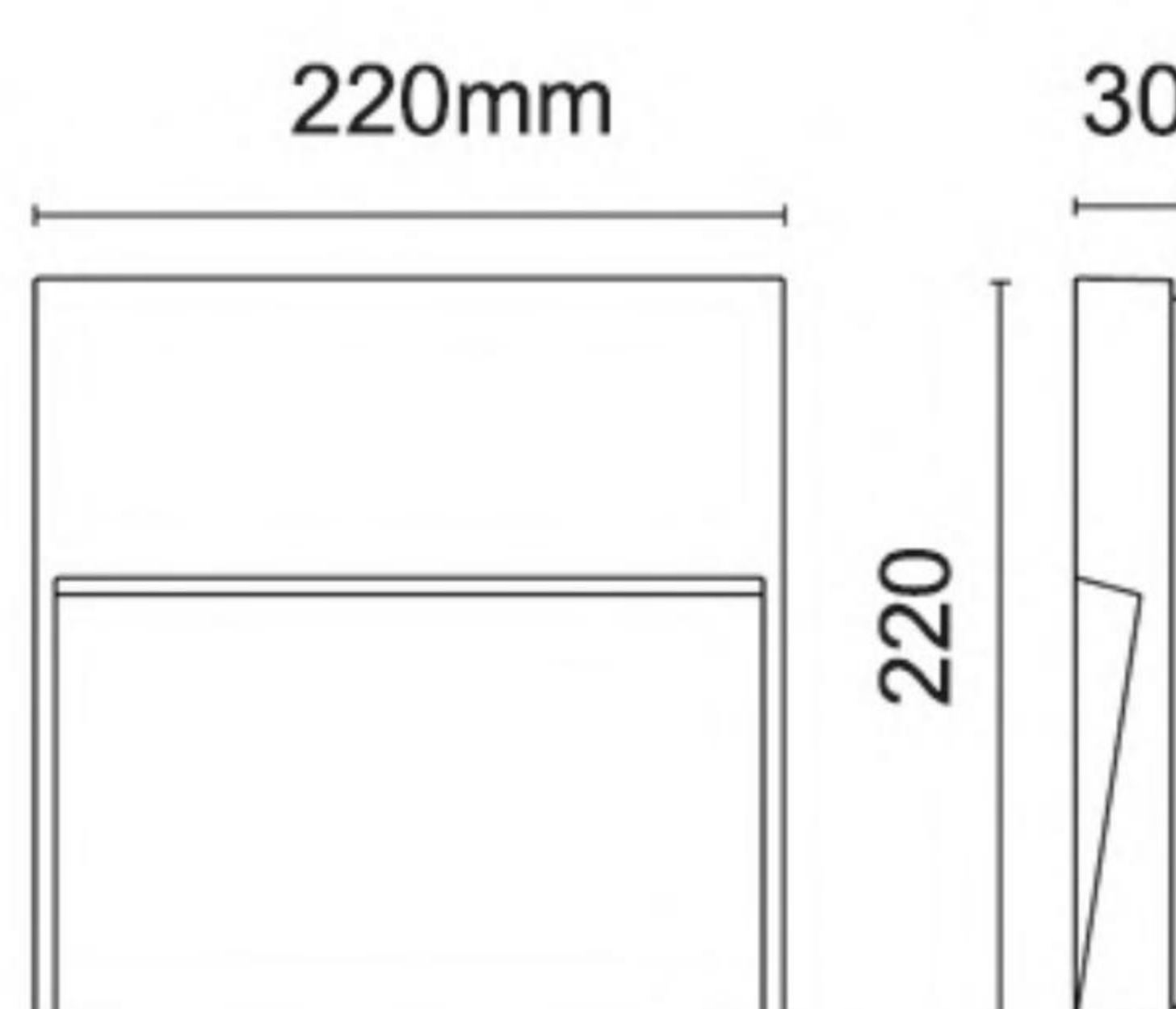
Technical data

Wattage	6W
IP Rating	IP65
IK Rating	IK06
Material	High corrosion resistance die-cast copper-free aluminum body
Coating	Polyester powder coating with phosphochromating pre-finish
Light source	12x2835LED CRI>80
Standard Deviation Color Matching	:MacAdam step 3
Screws	Stainless steel
Transformer	Electronic power supply 220/240V 50/60Hz built-in
Gasket	Silicone rubber
Glass	Tempered
Power Cables	Internal wiring
Gross weight	1 Kg

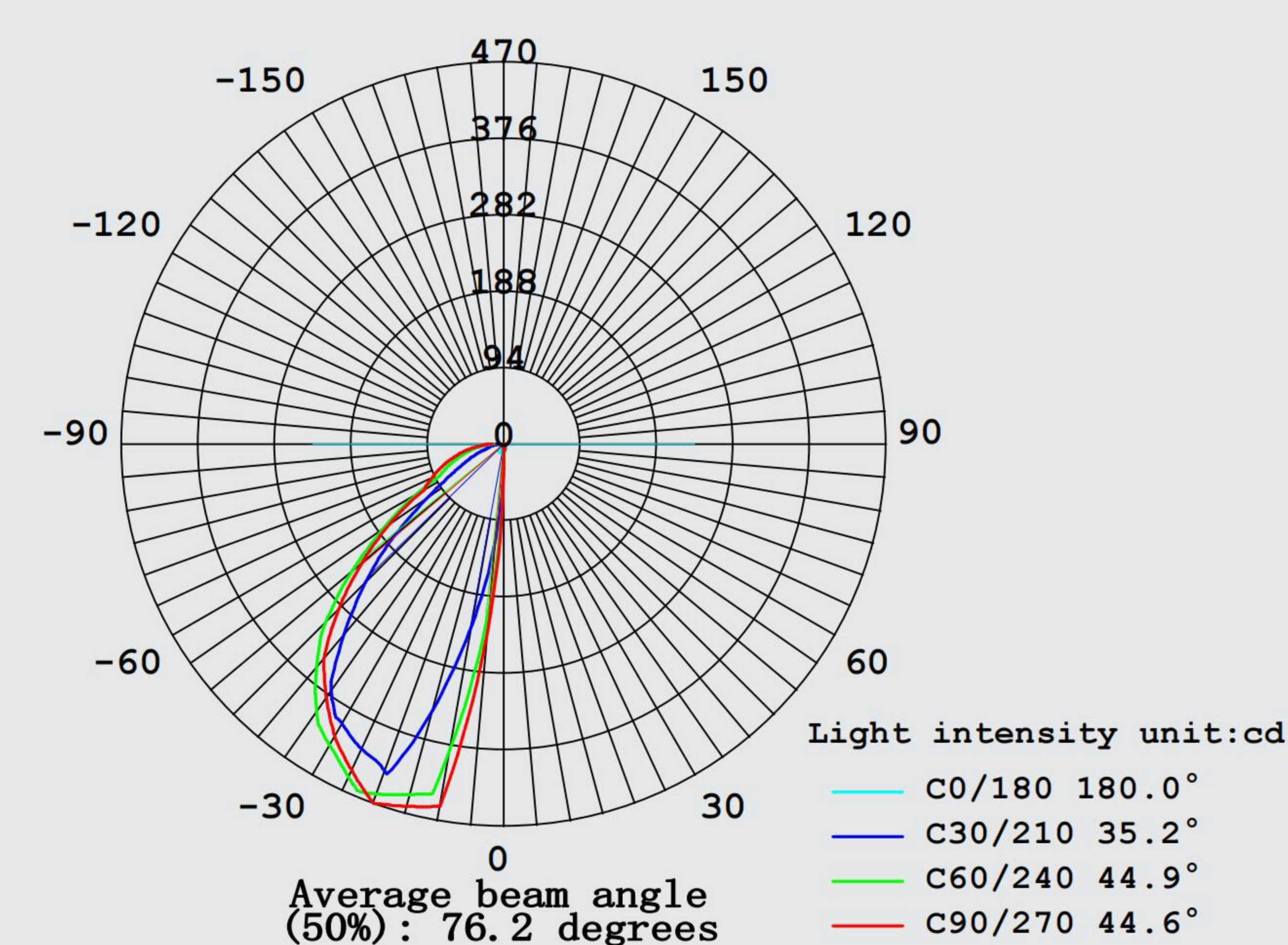
STEP LIGHT

EL-TJ-F512

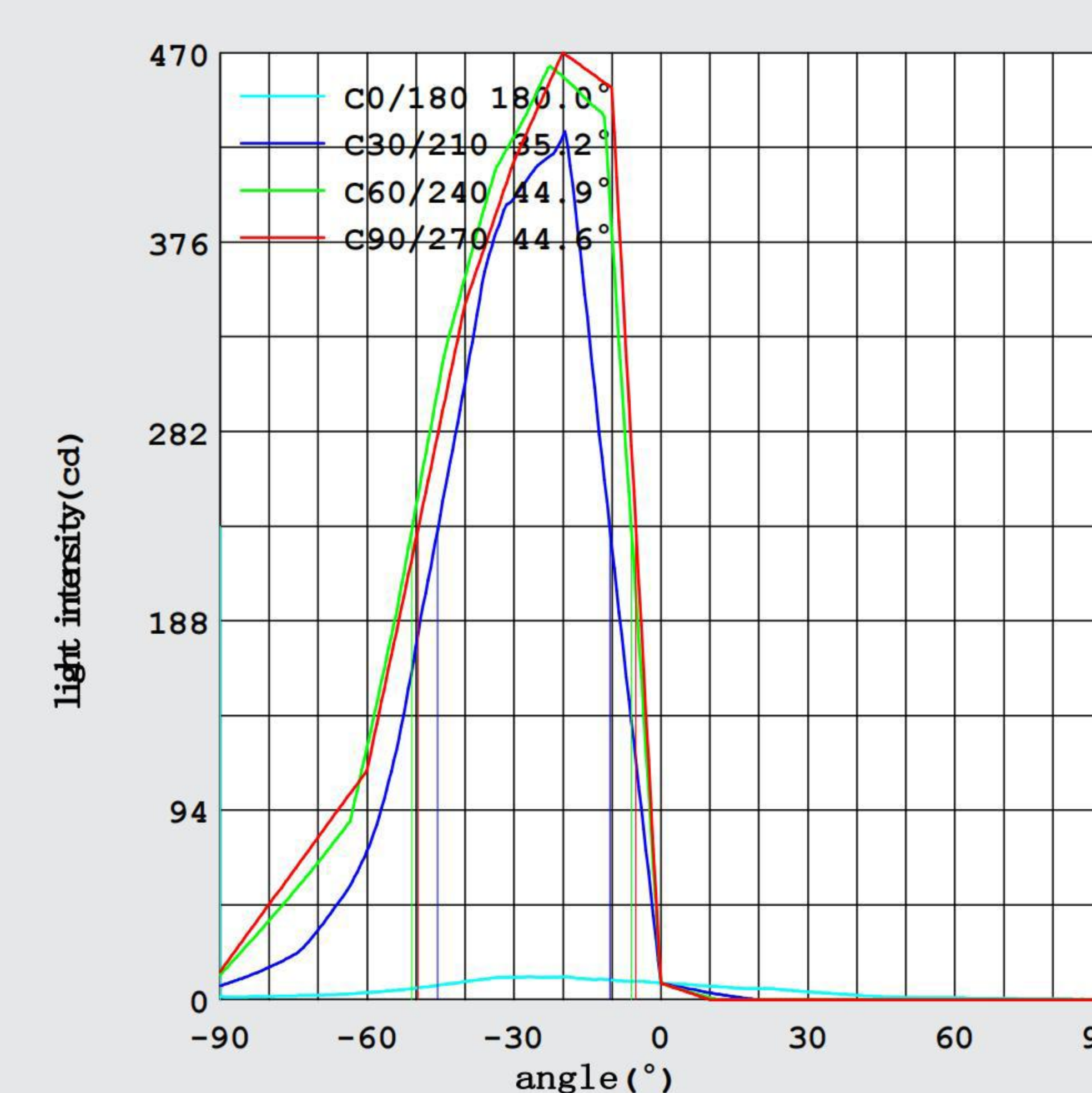
Lighting system for walkways designed for use with LED light sources to ensure high visual comfort.
Wall installation.
Built-in LED driver



Polar Coordinate Light Distribution Curve



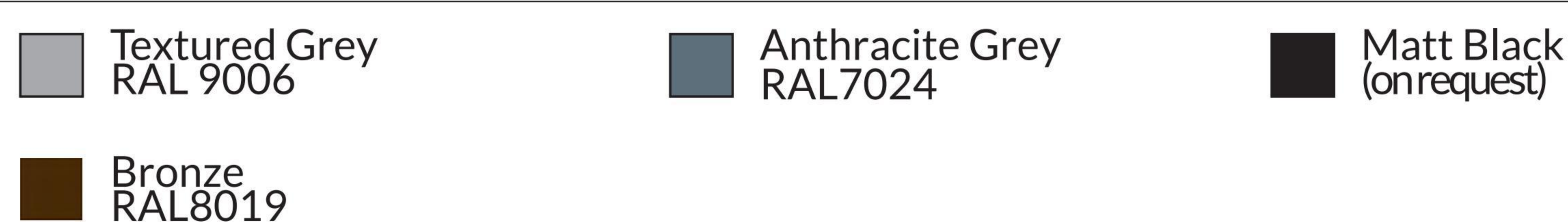
Cartesian coordinate light distribution curve
Light intensity distribution curve



light source*	lumen output (lm)	lumin. efficacy (lm/w)	light beam options
5000K white			
LT-TJ-F512-6W	464.0	76.0	Asymmetric

3000/4000K CCT available on request

Finish color options :



Customizable in different finishing colors



PORTABLE TABLE LIGHTS



Technical features



Technical data

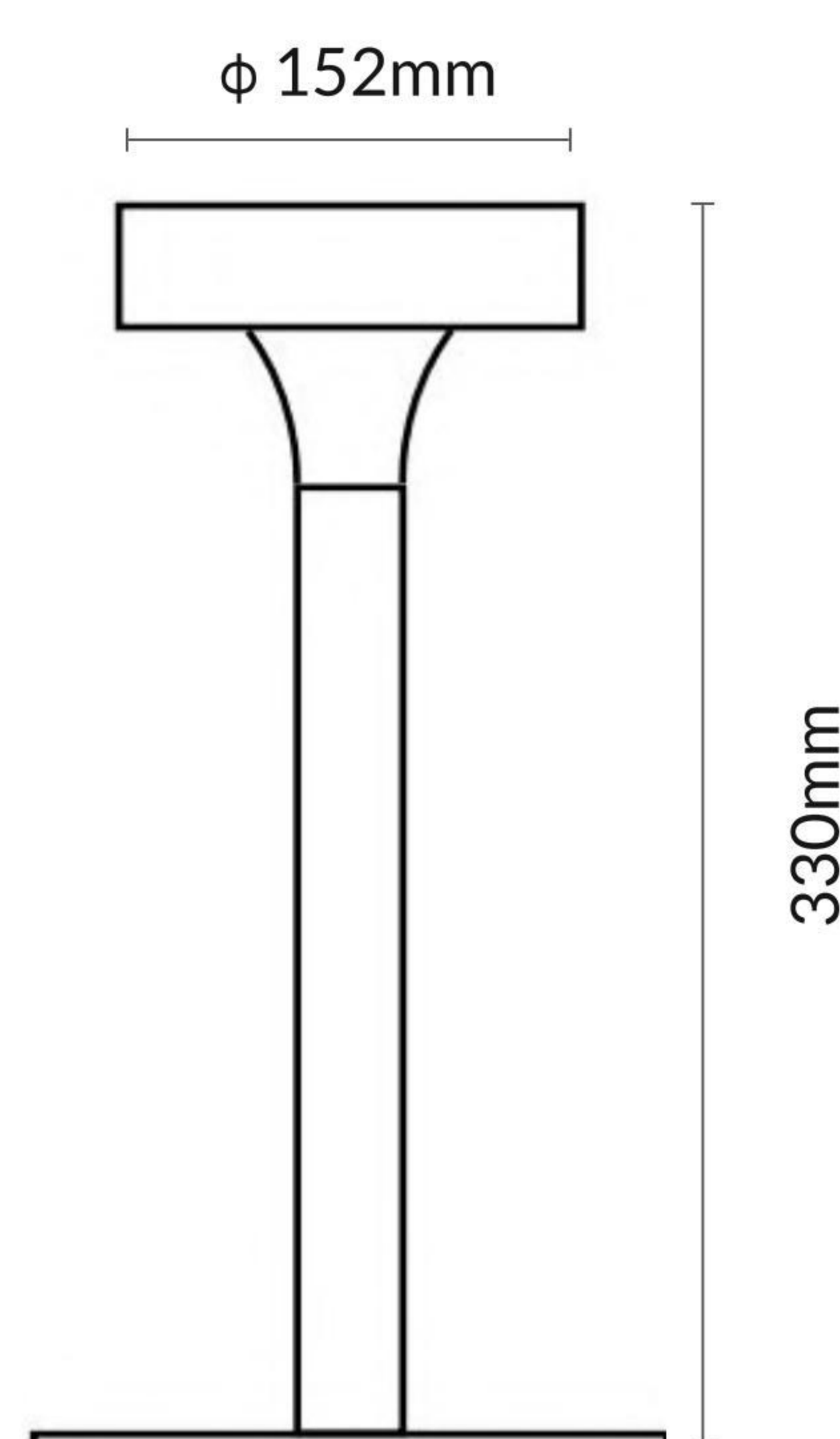
Wattage	2.5W
IP Rating	IP65
IK Rating	IK06
Material	High corrosion resistance die-cast copper-free aluminum body
Coating	Polyester powder coating with phosphocromating pre-finish
Light source	12x2835 LED CRI>90
Standard Deviation Color Matching	:MacAdam step 3
Screws	Stainless steel
Battery	5000MA.H
Standby time	8h
Glass	Tempered
Dimming	10-100%
Weight	2kg



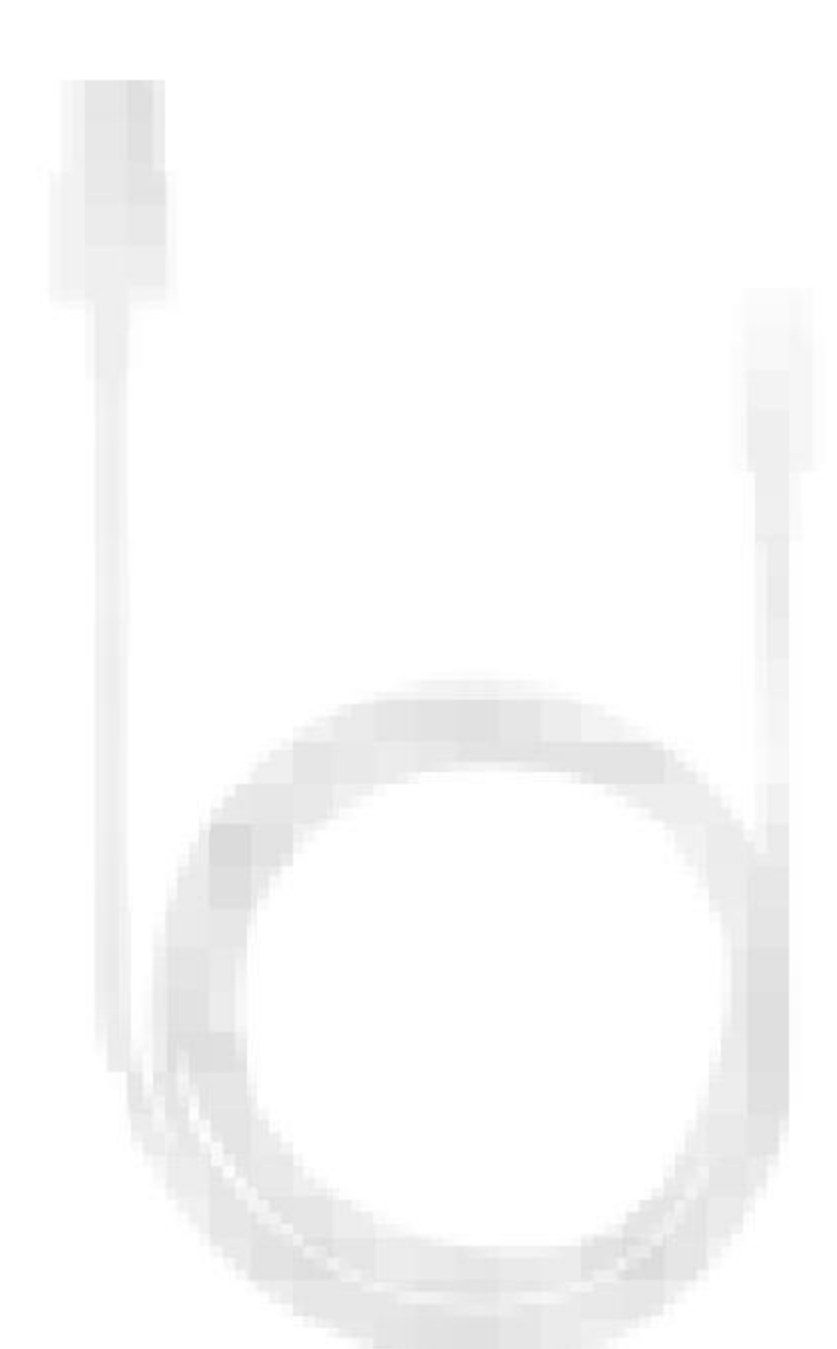
ECLIPSE

EL-YS

Die-cast aluminum material
5000ma/h lithium battery
IP65 protection level
10-100% dimming range



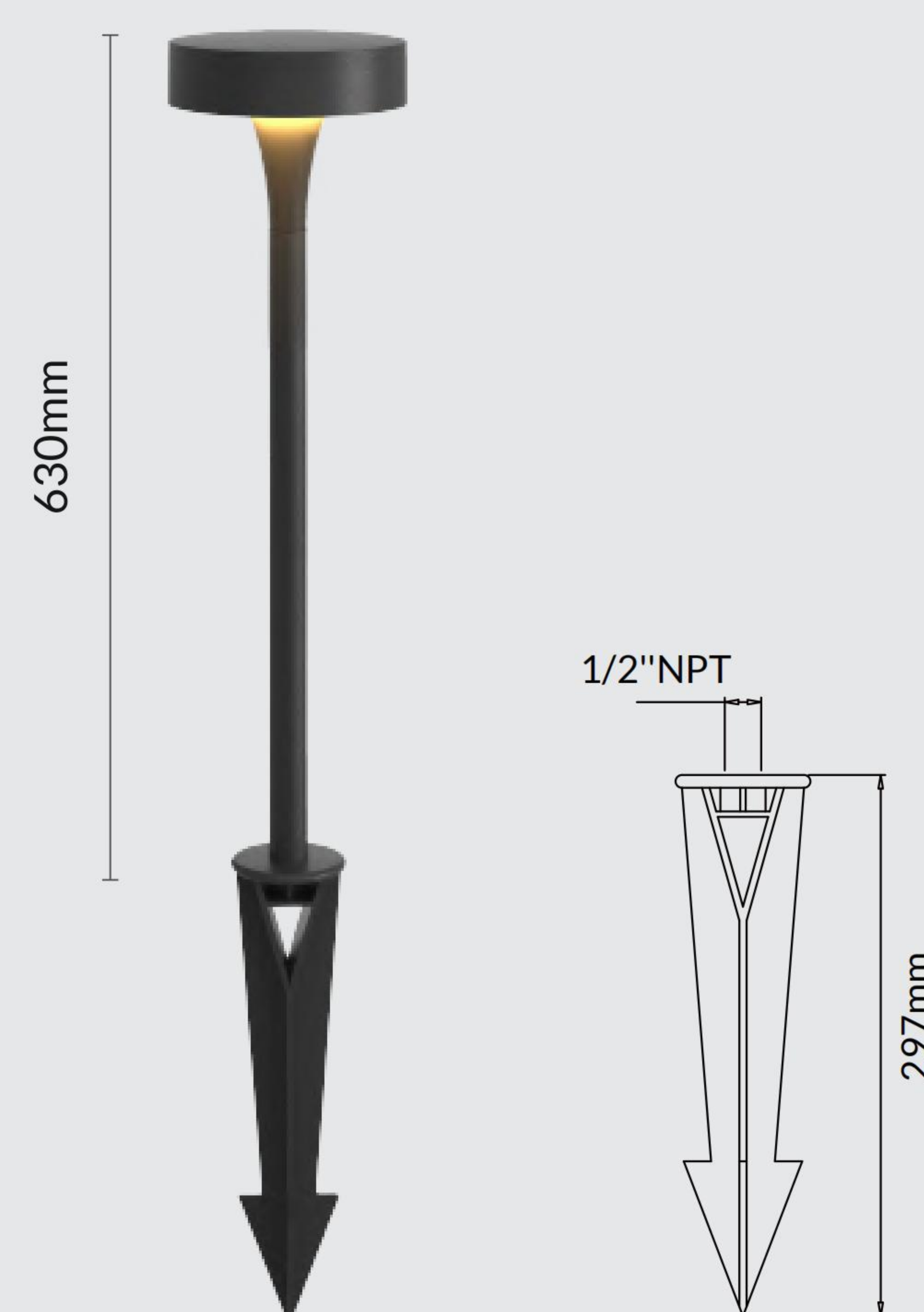
Option



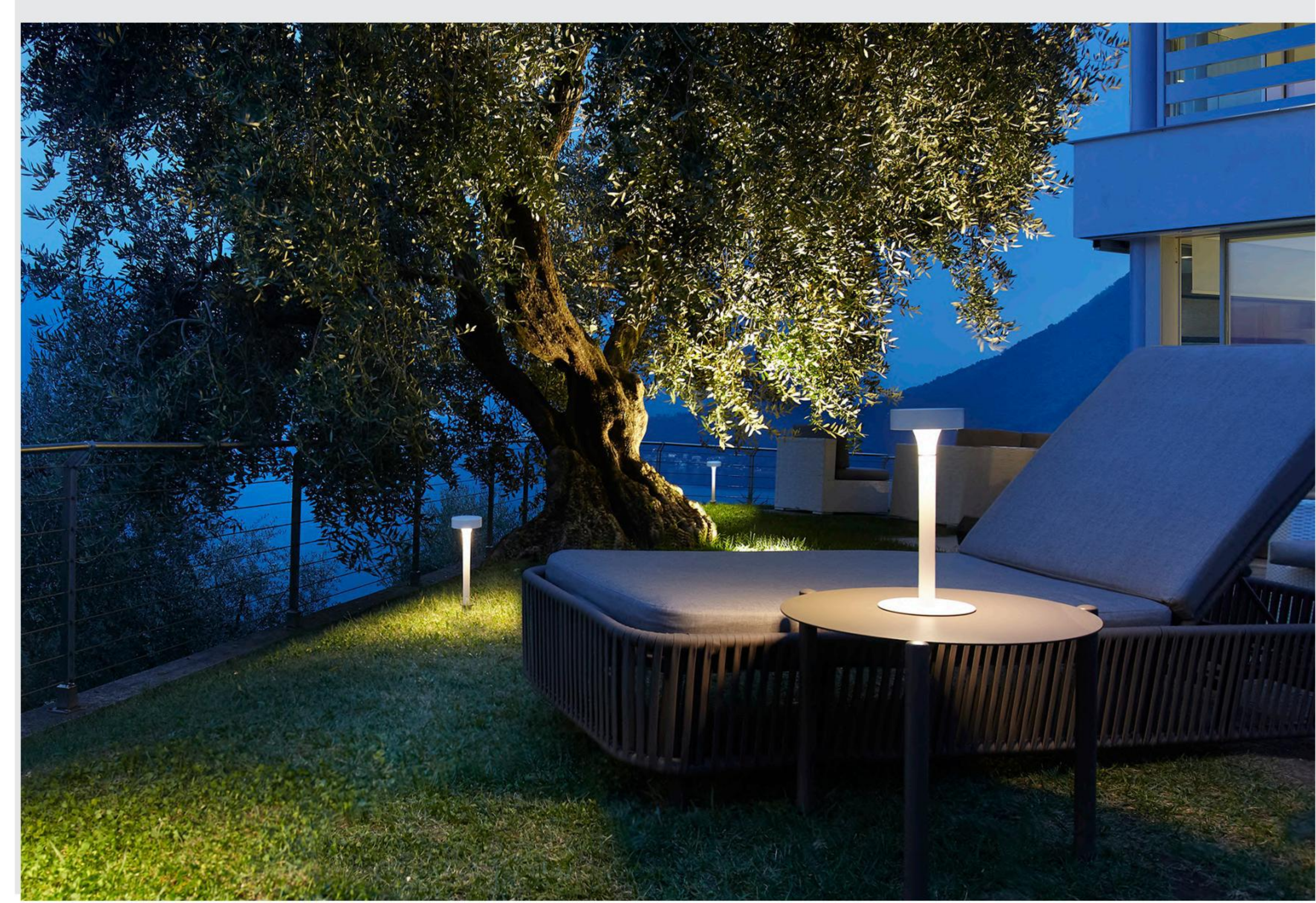
TYPE-C usb line

light source*	lumen output (lm)	lumin. efficacy (lm/w)	light beam options
5000K white			
LT-YS-2.5W	100.0	40.0	Symmetry 360°

3000/4000K CCT available on request



GS Ground Stake
Material: PC



URBAN LIGHTS



Technical features



Technical data

Wattage	30/50W
IP Rating	IP65
IK Rating	IK08
Material	High corrosion resistance die-cast copper-free aluminum body
Coating	Polyester powder coating with phosphochromating pre-finish
Light source	SMD high-intensity power LEDs
Standard Deviation Color Matching	:MacAdam step 3
Screws	Stainless steel
Transformer	Electronic power supply 220/240V 50/60Hz built-in or AC120-277V
Gasket	Silicone rubber
Glass	Tempered
Power cable	1 mt. neoprene power cable included
Gross weight	7.3 Kg
Surge Protection	6 KV
Notes	Can on request DALI version available on request
Installation type	Smallpox



SUNFLOWER

EL-1885-30/50W

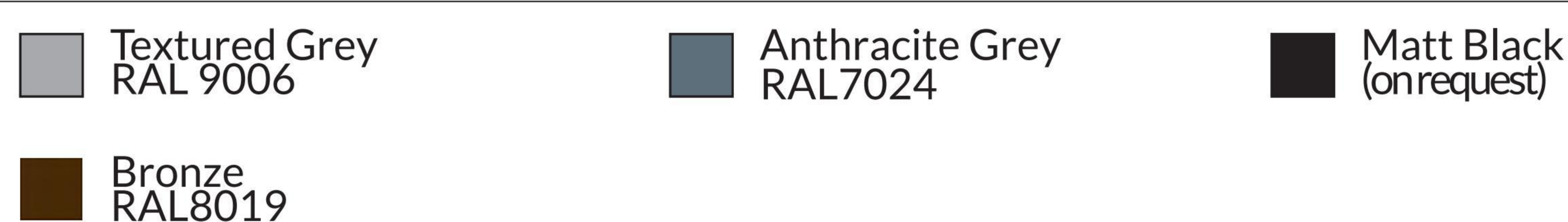
SunFlowers blurs the lines between outdoor and indoor luminaires. A curb to cube family approach puts the focus on a variety of mounting options to cover a range of exterior and interior lighting needs. From roadways to pathways, public parks to university campuses, parking lots to lobbies, Sunflower has you covered. Mix and match lighting requirements with a consistent design aesthetic – outdoors and in.



light source*	lumen output (lm)	lumin. efficacy (lm/w)	light beam options
5000°K white			
LT-1885-30W	3390.0	113.0	105°
LT-1885-50W	5650.0		

3000/4000K CCT available on request

Finish color options :



Customizable in different finishing colors



Technical features



Technical data

Wattage	30/50W
IP Rating	IP65
IK Rating	IK08
Material	High corrosion resistance die-cast copper-free aluminum body
Coating	Polyester powder coating with phosphochromating pre-finish
Light source	SMD high-intensity power LEDs
Standard Deviation Color Matching	:MacAdam step 3
Screws	Stainless steel
Transformer	Electronic power supply 220/240V 50/60Hz built-in or AC120-277V
Gasket	Silicone rubber
Glass	Tempered
Power cable	1 mt. neoprene power cable included
Gross weight	7.3 Kg
Surge Protection	6 KV
Notes	Can on request DALI version available on request
Installation type	Pendant



SUNFLOWER

EL-1885-30/50W

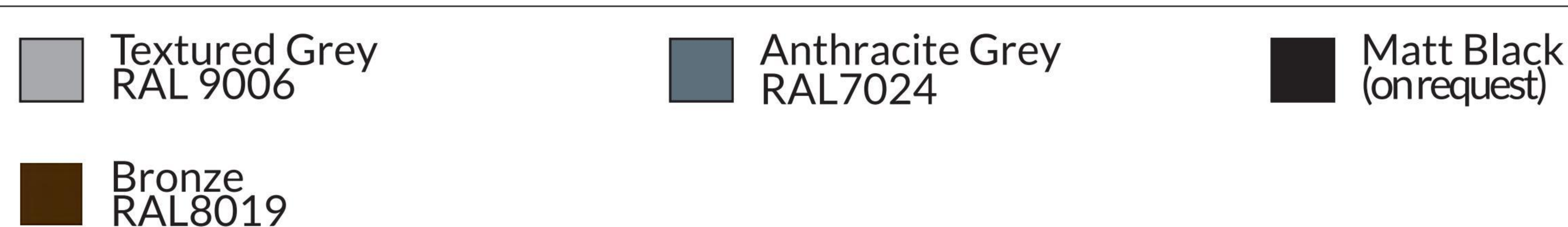
SunFlowers blurs the lines between outdoor and indoor luminaires. A curb to cube family approach puts the focus on a variety of mounting options to cover a range of exterior and interior lighting needs. From roadways to pathways, public parks to university campuses, parking lots to lobbies, Sunflower has you covered. Mix and match lighting requirements with a consistent design aesthetic – outdoors and in.



light source*	lumen output (lm)	lumin. efficacy (lm/w)	light beam options
5000°K white			
LT-1885-30W	3390.0	113.0	105°
LT-1885-50W	5650.0		

3000/4000K CCT available on request

Finish color options :



Customizable in different finishing colors



Technical features



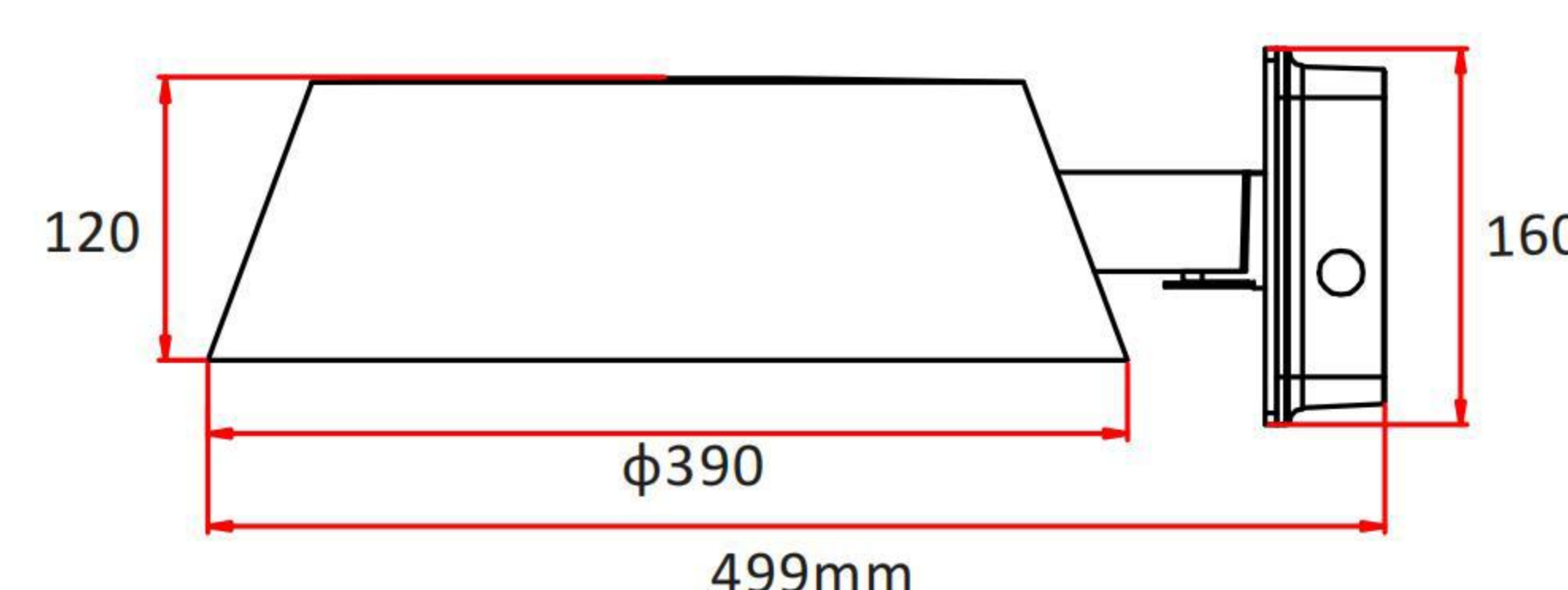
Technical data

Wattage	30/50/70/90W
IP Rating	IP65
IK Rating	IK08
Material	High corrosion resistance die-cast copper-free aluminum body
Coating	Polyester powder coating with phosphochromating pre-finish
Light source	SMD high-intensity power LEDs
Standard Deviation Color Matching	MacAdam step 3
Screws	Stainless steel
Transformer	Electronic power supply 220/240V 50/60Hz built-in or AC120-277V
Gasket	Silicone rubber
Glass	Tempered
Power cable	1 mt. neoprene power cable included
Gross weight	8 Kg
Surge Protection	6 KV
Notes	Can on request DALI version available on request
Installation type	Wall

SUNFLOWER

EL-1885-30/50/70/90W

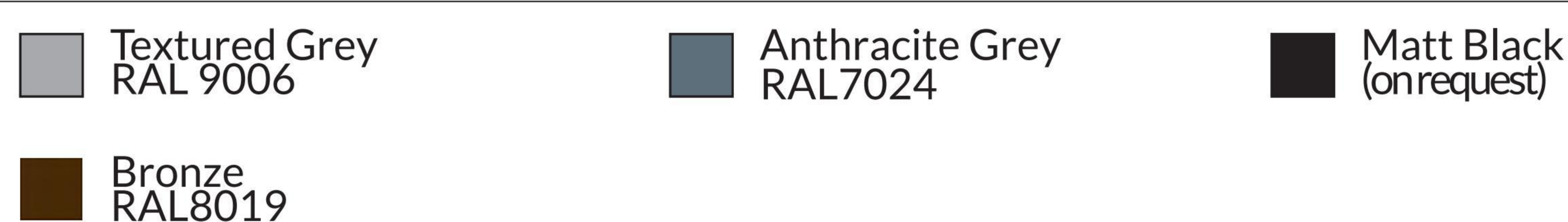
SunFlowers blurs the lines between outdoor and indoor luminaires. A curb to cube family approach puts the focus on a variety of mounting options to cover a range of exterior and interior lighting needs. From roadways to pathways, public parks to university campuses, parking lots to lobbies, Sunflower has you covered. Mix and match lighting requirements with a consistent design aesthetic – outdoors and in.



light source*	lumen output (lm)	lumin. efficacy (lm/w)	light beam options
5000°K white			
LT-1885-30W	4950.0	165.0	Type II
LT-1885-50W	8250.0		Type III
LT-1885-70W	11550.0		Type IV
LT-1885-90W	14850.0		Type V

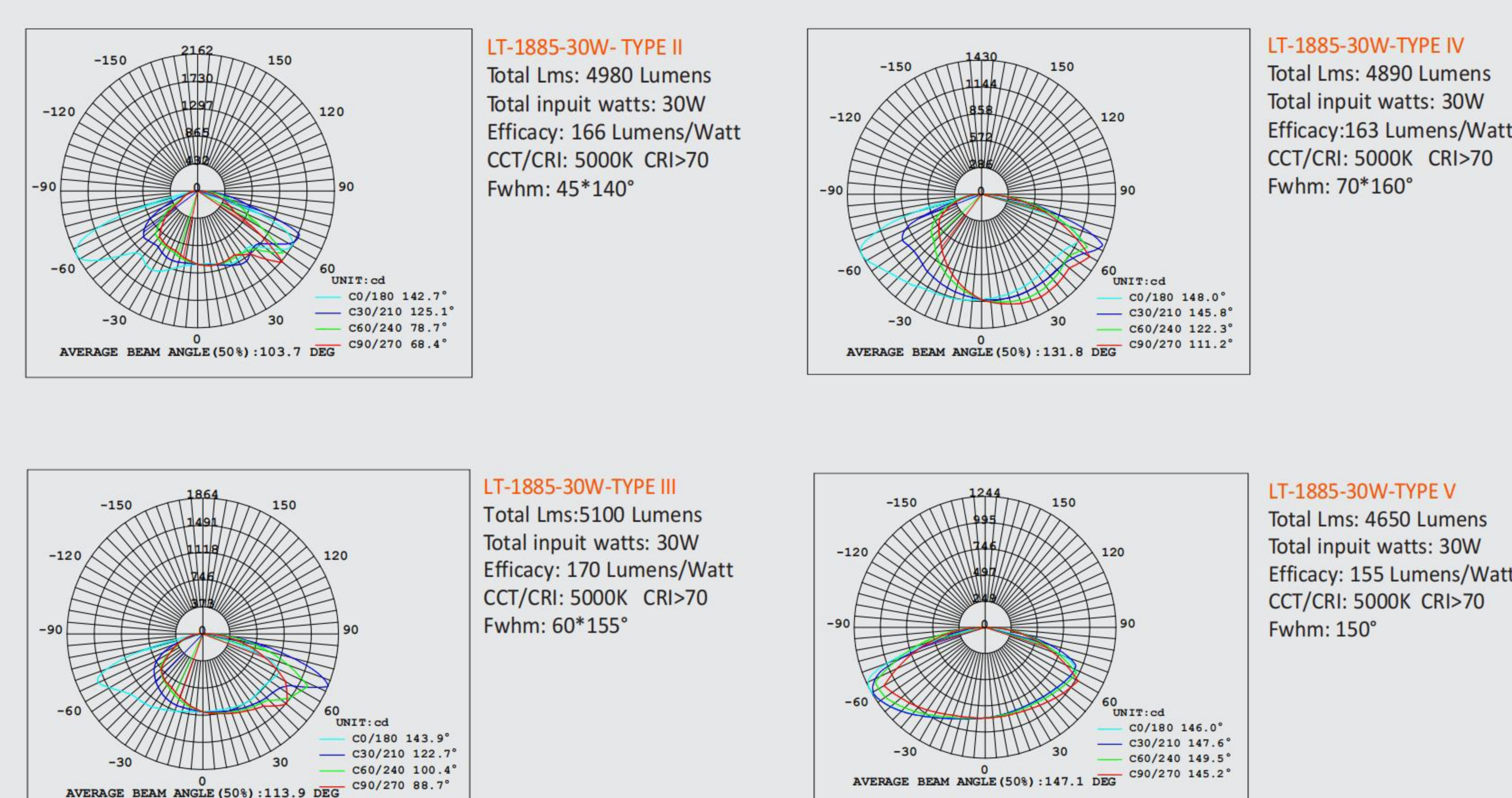
3000/4000K CCT available on request

Finish color options :



Customizable in different finishing colors

Option



Technical features



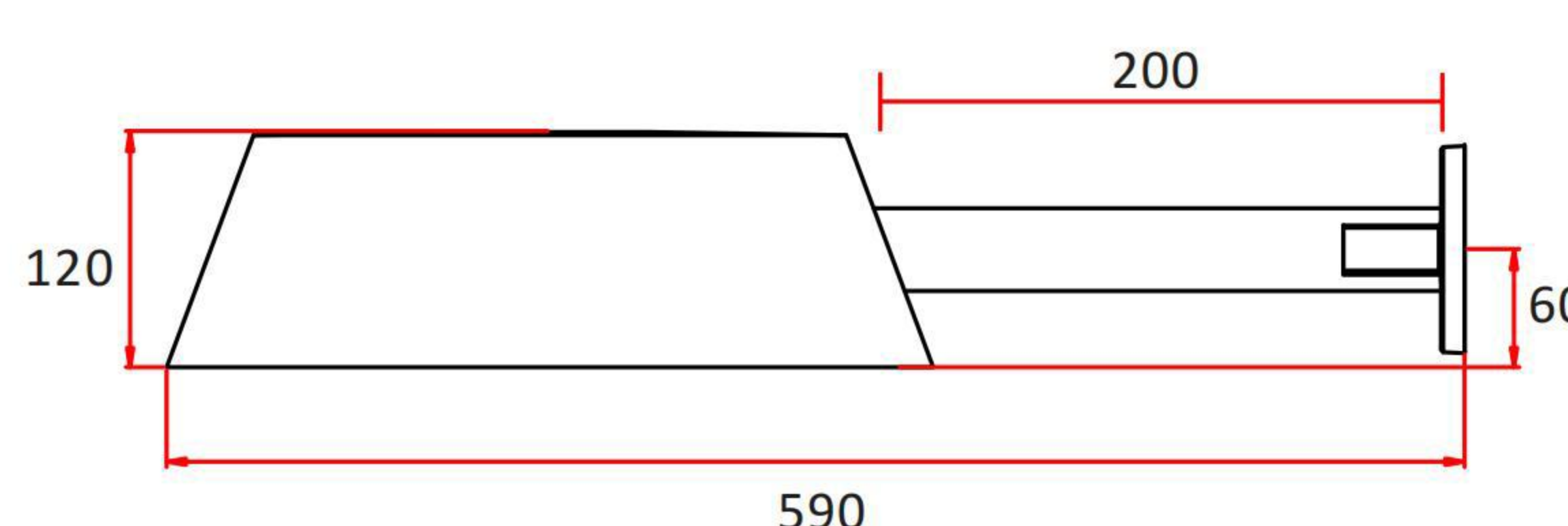
Technical data

Wattage	30/50/70/90W
IP Rating	IP65
IK Rating	IK08
Material	High corrosion resistance die-cast copper-free aluminum body
Coating	Polyester powder coating with phosphochromating pre-finish
Light source	SMD high-intensity power LEDs
Standard Deviation Color Matching	MacAdam step 3
Screws	Stainless steel
Transformer	Electronic power supply 220/240V 50/60Hz built-in or AC120-277V
Gasket	Silicone rubber
Glass	Tempered
Power cable	1 mt. neoprene power cable included
Gross weight	7.5 Kg
Surge Protection	6 KV
Notes	Can on request DALI version available on request
Installation type	Wall

SUNFLOWER

EL-1885-30/50/70/90W

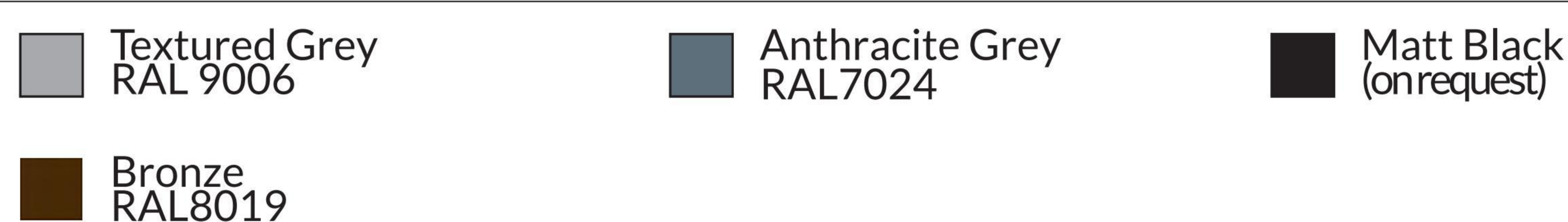
SunFlowers blurs the lines between outdoor and indoor luminaires. A curb to cube family approach puts the focus on a variety of mounting options to cover a range of exterior and interior lighting needs. From roadways to pathways, public parks to university campuses, parking lots to lobbies, Sunflower has you covered. Mix and match lighting requirements with a consistent design aesthetic – outdoors and in.



light source*	lumen output (lm)	lumin. efficacy (lm/w)	light beam options
5000°K white			
LT-1885-30W	4950.0	165.0	Type II
LT-1885-50W	8250.0		Type III
LT-1885-70W	11550.0		Type IV
LT-1885-90W	14850.0		Type V

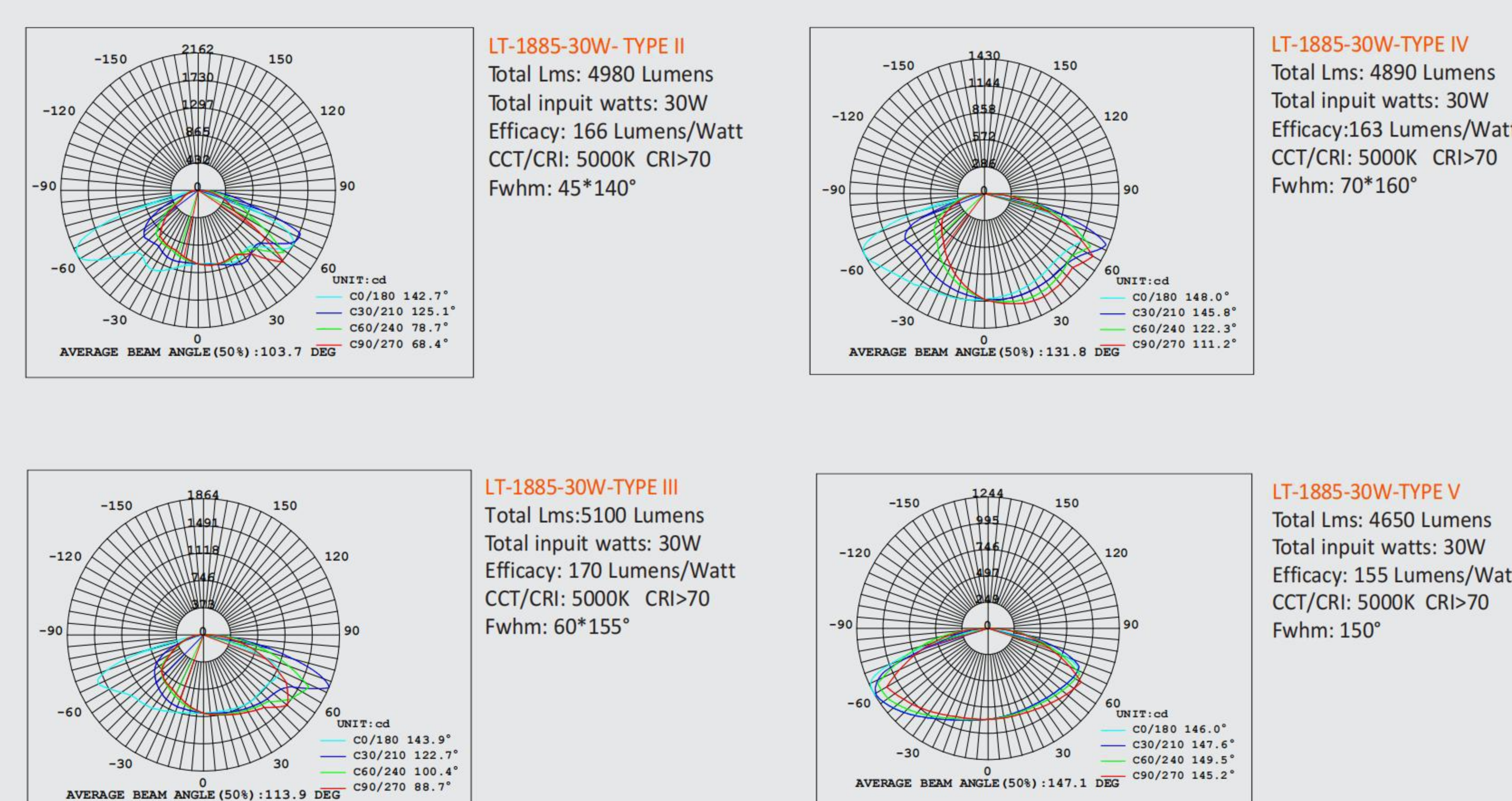
3000/4000K CCT available on request

Finish color options :



Customizable in different finishing colors

Option



Technical features



Technical data

Wattage	30/50/70/90W
IP Rating	IP65
IK Rating	IK08
Material	High corrosion resistance die-cast copper-free aluminum body
Coating	Polyester powder coating with phosphochromating pre-finish
Light source	SMD high-intensity power LEDs
Standard Deviation Color Matching	:MacAdam step 3
Screws	Stainless steel
Transformer	Electronic power supply 220/240V 50/60Hz built-in or AC120-277V
Gasket	Silicone rubber
Glass	Tempered
Power cable	1 mt. neoprene power cable included
Gross weight	7.5 Kg
Surge Protection	6 KV
Notes	Can on request DALI version available on request
Installation type	Overhead

SUNFLOWER

EL-1885-30/50/70/90W

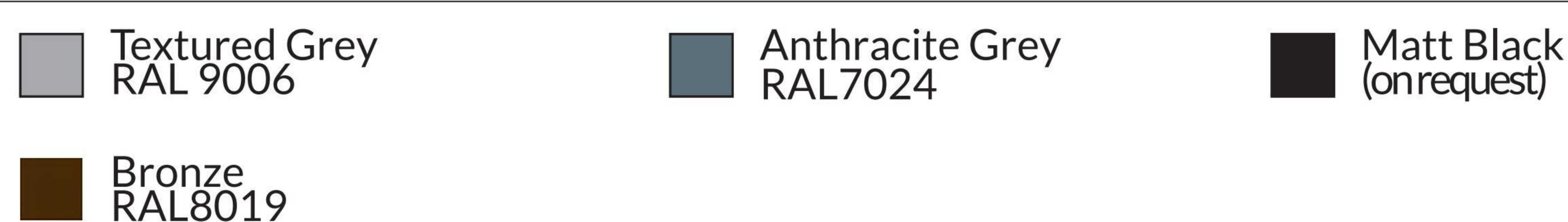
SunFlowers blurs the lines between outdoor and indoor luminaires. A curb to cube family approach puts the focus on a variety of mounting options to cover a range of exterior and interior lighting needs. From roadways to pathways, public parks to university campuses, parking lots to lobbies, Sunflower has you covered. Mix and match lighting requirements with a consistent design aesthetic – outdoors and in.



light source*	lumen output (lm)	lumin. efficacy (lm/w)	light beam options
5000°K white			
LT-1885-30W	4950.0	165.0	Type II
LT-1885-50W	8250.0		Type III
LT-1885-70W	11550.0		Type IV
LT-1885-90W	14850.0		Type V

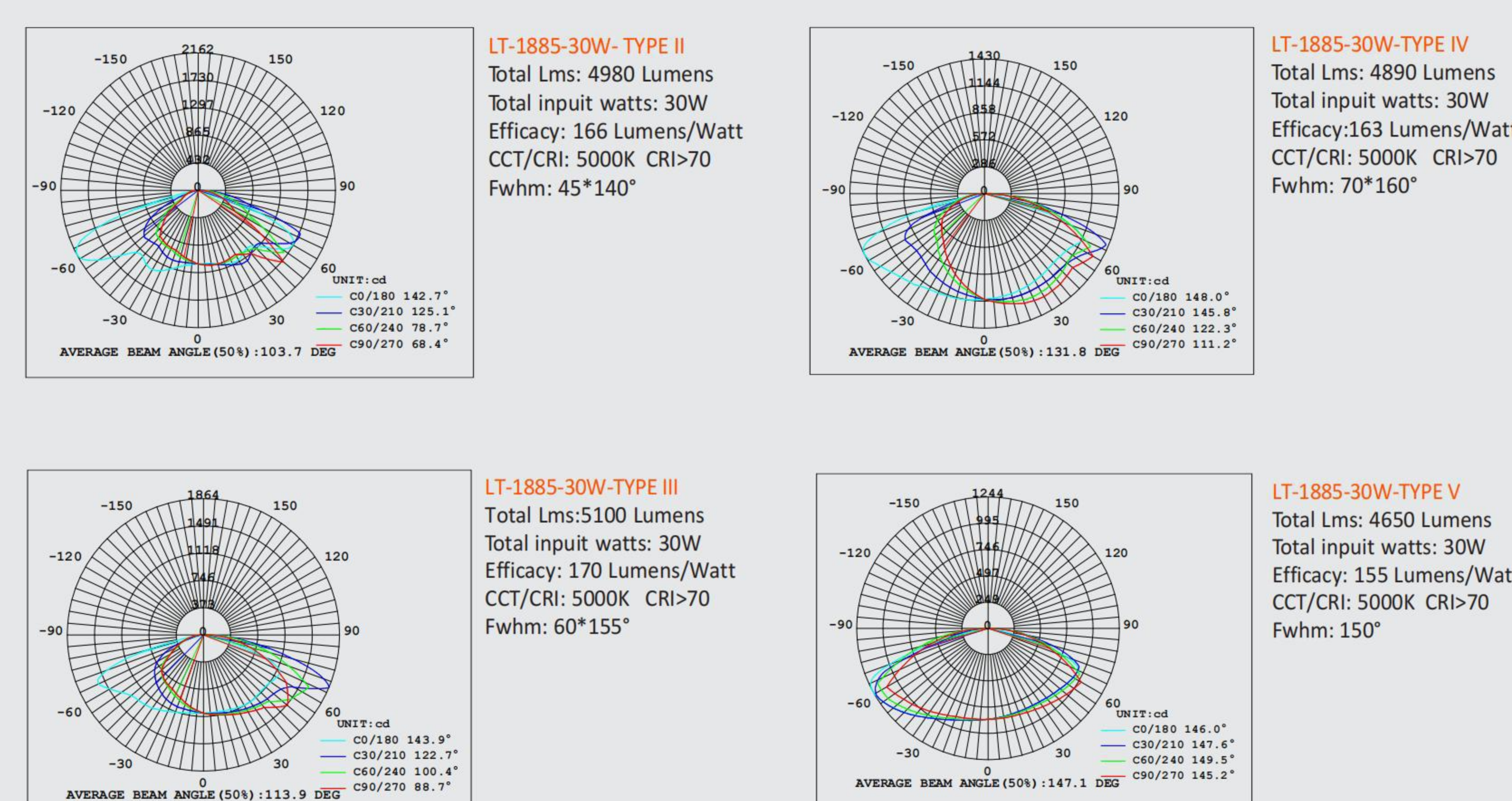
3000/4000K CCT available on request

Finish color options :



Customizable in different finishing colors

Option



Technical features

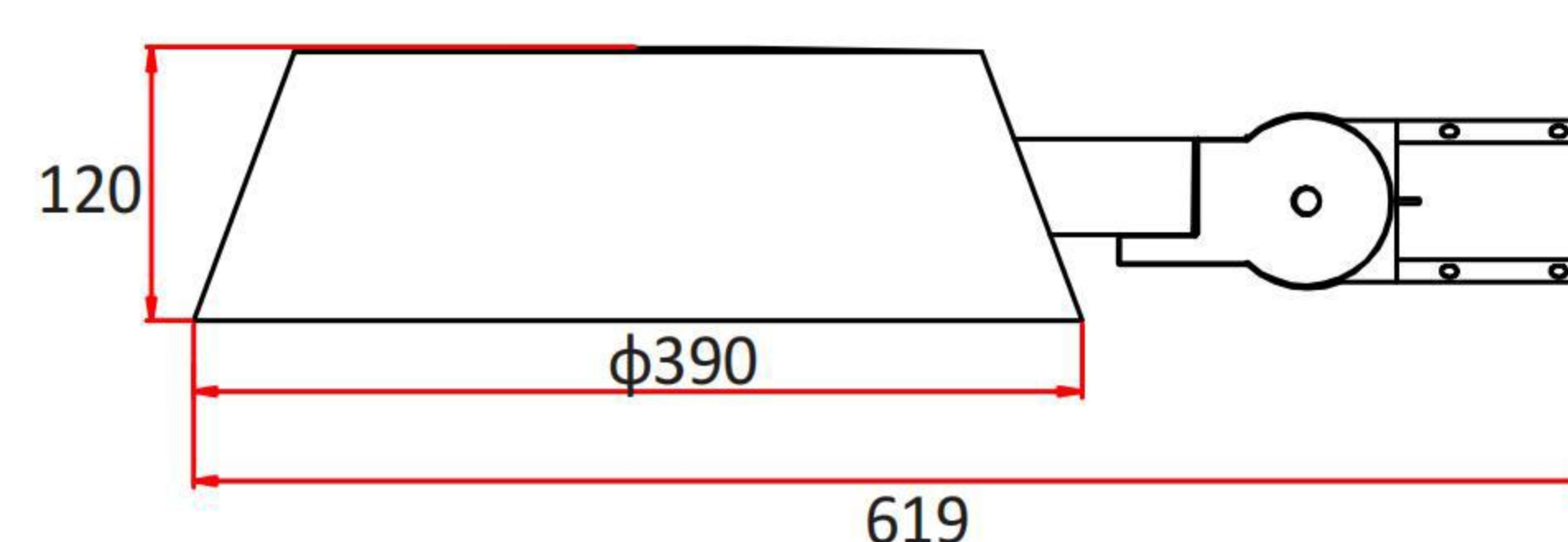


Technical data

Wattage	30/50/70/90W
IP Rating	IP65
IK Rating	IK08
Material	High corrosion resistance die-cast copper-free aluminum body
Coating	Polyester powder coating with phosphochromating pre-finish
Light source	SMD high-intensity power LEDs
Standard Deviation Color Matching	:MacAdam step 3
Screws	Stainless steel
Transformer	Electronic power supply 220/240V 50/60Hz built-in or AC120-277V
Gasket	Silicone rubber
Glass	Tempered
Power cable	1 mt. neoprene power cable included
Gross weight	8.1Kg
Surge Protection	6 KV
Notes	Can on request DALI version available on request
Installation type	Slip Fitter

SUNFLOWER

EL-1885-30/50/70/90W



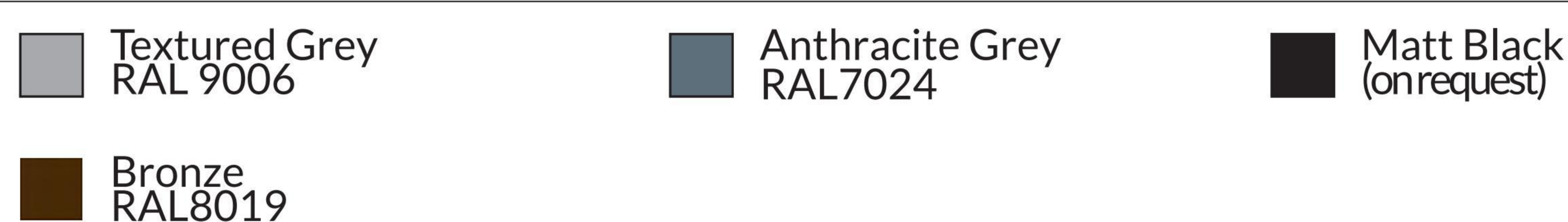
SunFlowers blurs the lines between outdoor and indoor luminaires. A curb to cube family approach puts the focus on a variety of mounting options to cover a range of exterior and interior lighting needs. From roadways to pathways, public parks to university campuses, parking lots to lobbies, Sunflower has you covered. Mix and match lighting requirements with a consistent design aesthetic – outdoors and in.



light source*	lumen output (lm)	lumin. efficacy (lm/w)	light beam options
5000°K white			
LT-1885-30W	4950.0	165.0	Type II
LT-1885-50W	8250.0		Type III
LT-1885-70W	11550.0		Type IV
LT-1885-90W	14850.0		Type V

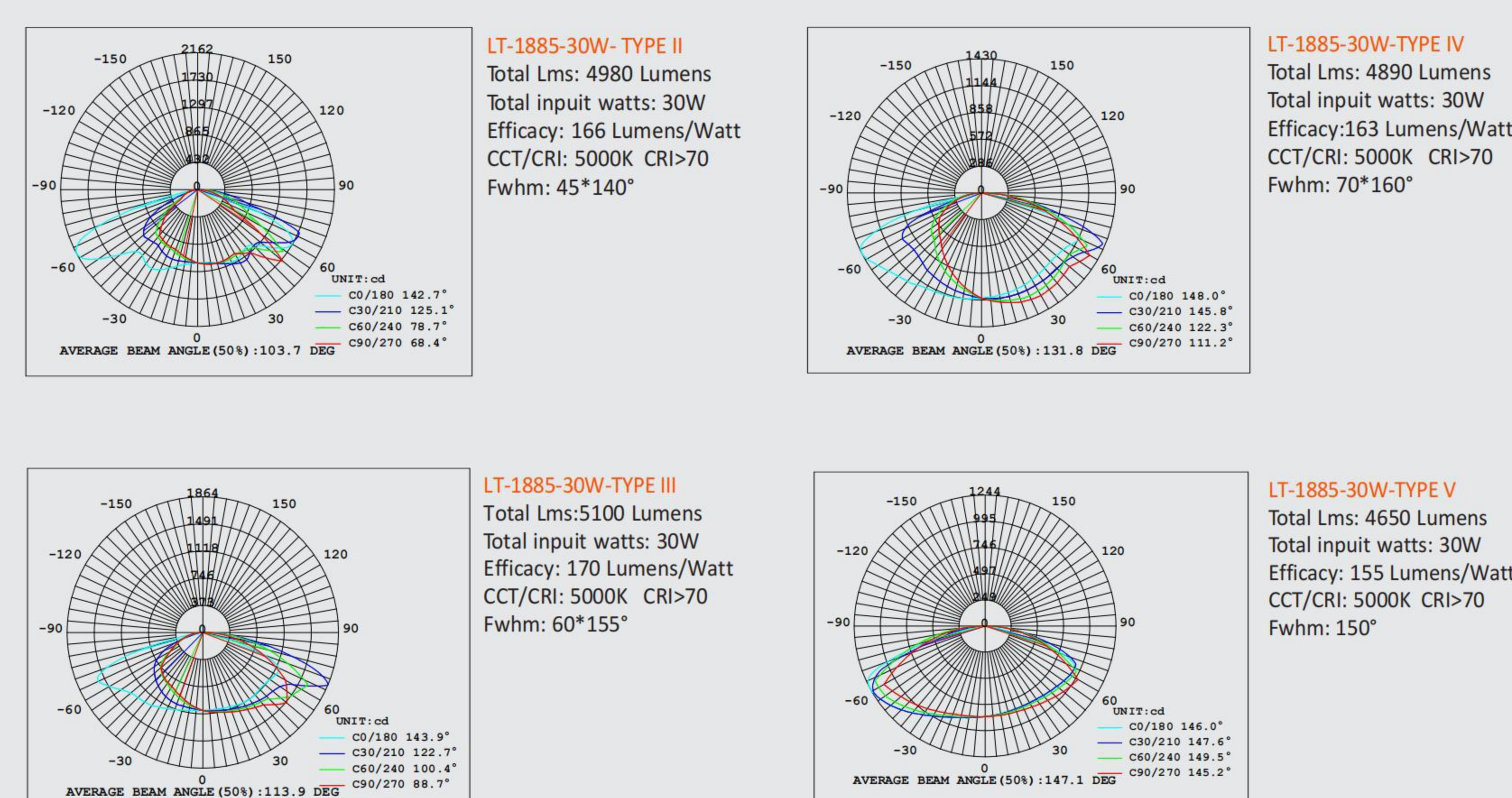
3000/4000K CCT available on request

Finish color options :



Customizable in different finishing colors

Option



Technical features



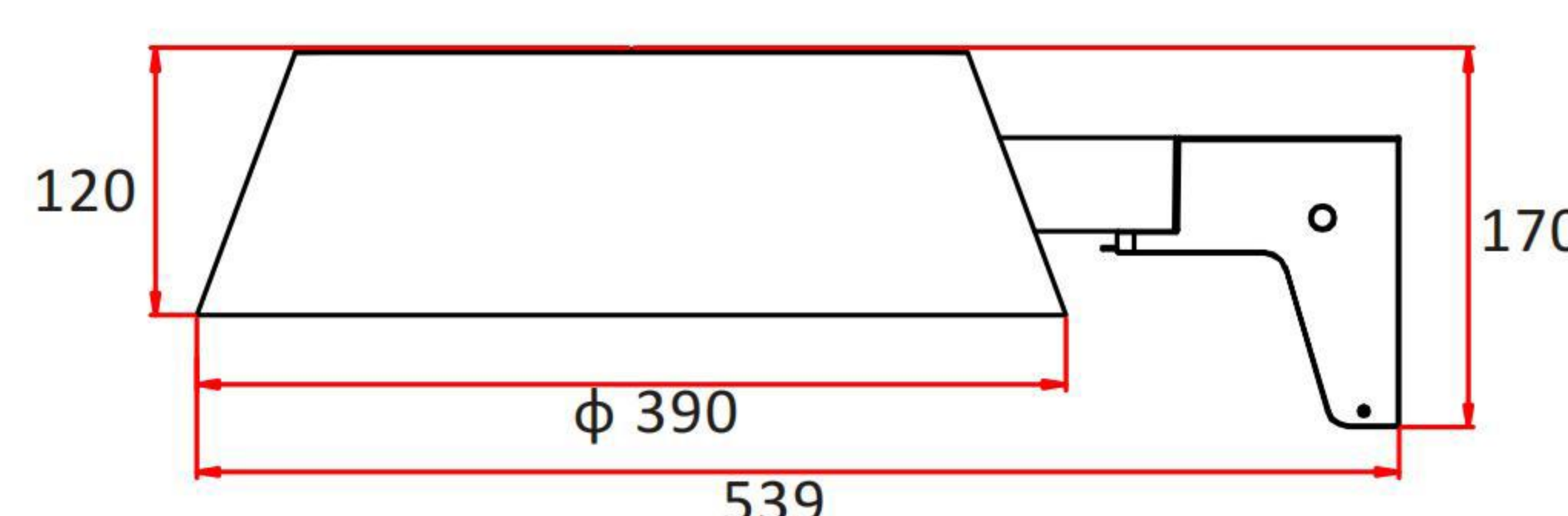
Technical data

Wattage	30/50/70/90W
IP Rating	IP65
IK Rating	IK08
Material	High corrosion resistance die-cast copper-free aluminum body
Coating	Polyester powder coating with phosphochromating pre-finish
Light source	SMD high-intensity power LEDs
Standard Deviation Color Matching	MacAdam step 3
Screws	Stainless steel
Transformer	Electronic power supply 220/240V 50/60Hz built-in or AC120-277V
Gasket	Silicone rubber
Glass	Tempered
Power cable	1 mt. neoprene power cable included
Gross weight	7.3 Kg
Surge Protection	6 KV
Notes	Can on request DALI version available on request
Installation type	Pole Mount



SUNFLOWER

EL-1885-30/50/70/90W



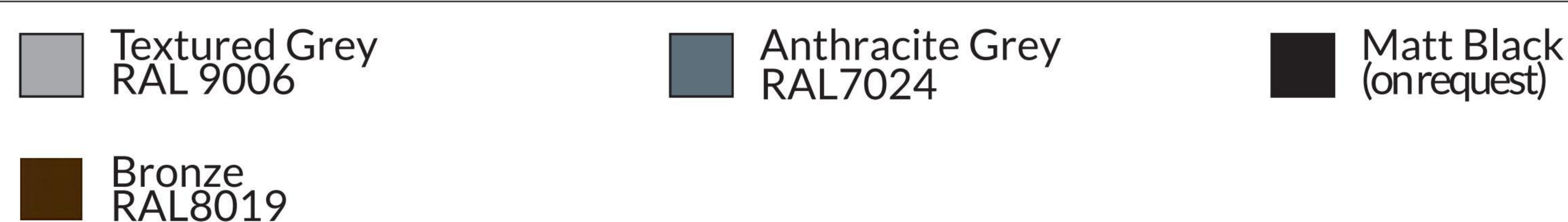
SunFlowers blurs the lines between outdoor and indoor luminaires. A curb to cube family approach puts the focus on a variety of mounting options to cover a range of exterior and interior lighting needs. From roadways to pathways, public parks to university campuses, parking lots to lobbies, Sunflower has you covered. Mix and match lighting requirements with a consistent design aesthetic – outdoors and in.



light source*	lumen output (lm)	lumin. efficacy (lm/w)	light beam options
5000°K white			
LT-1885-30W	4950.0	165.0	Type II
LT-1885-50W	8250.0		Type III
LT-1885-70W	11550.0		Type IV
LT-1885-90W	14850.0		Type V

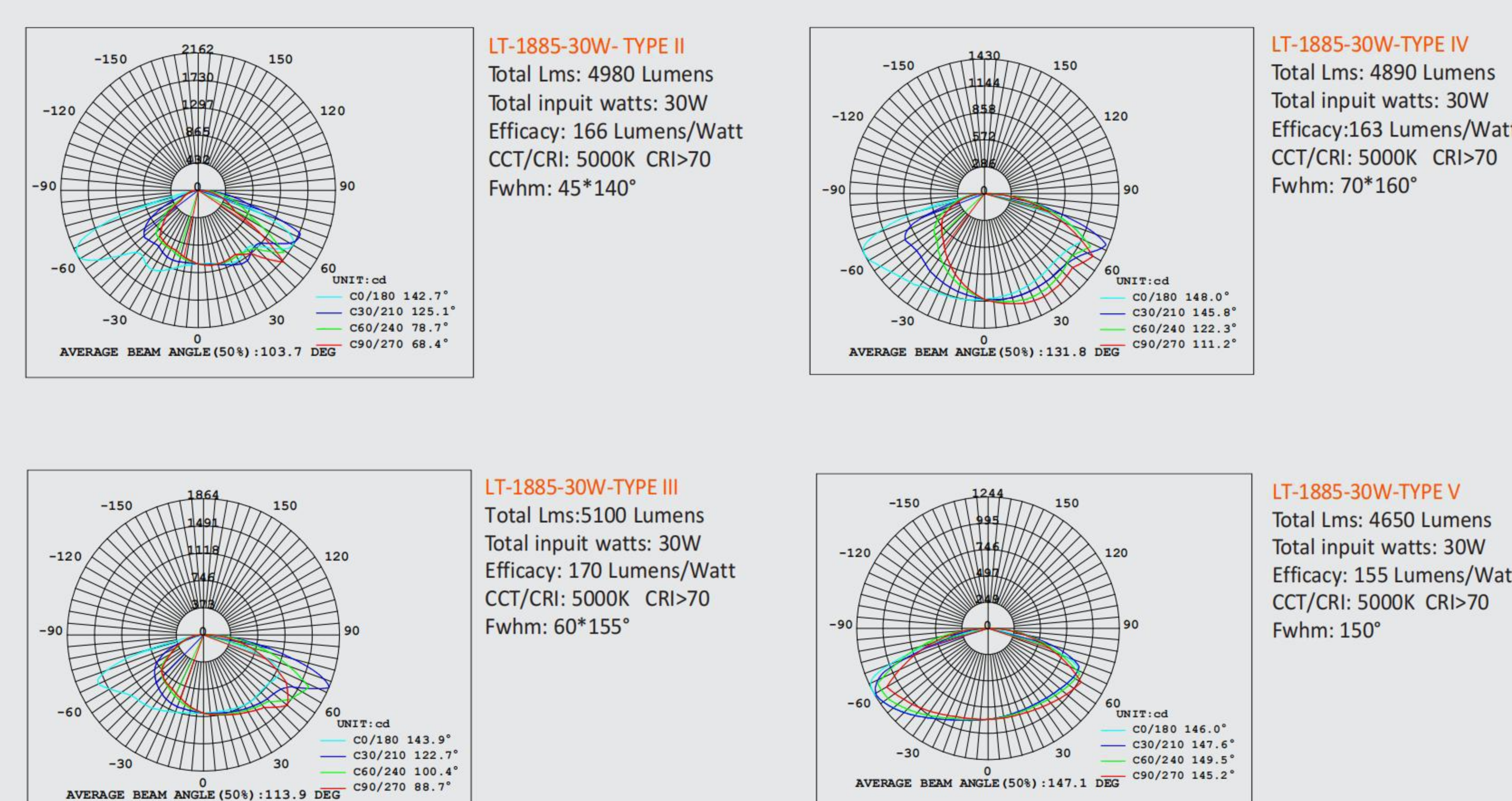
3000/4000K CCT available on request

Finish color options :



Customizable in different finishing colors

Option



Technical features



Technical data

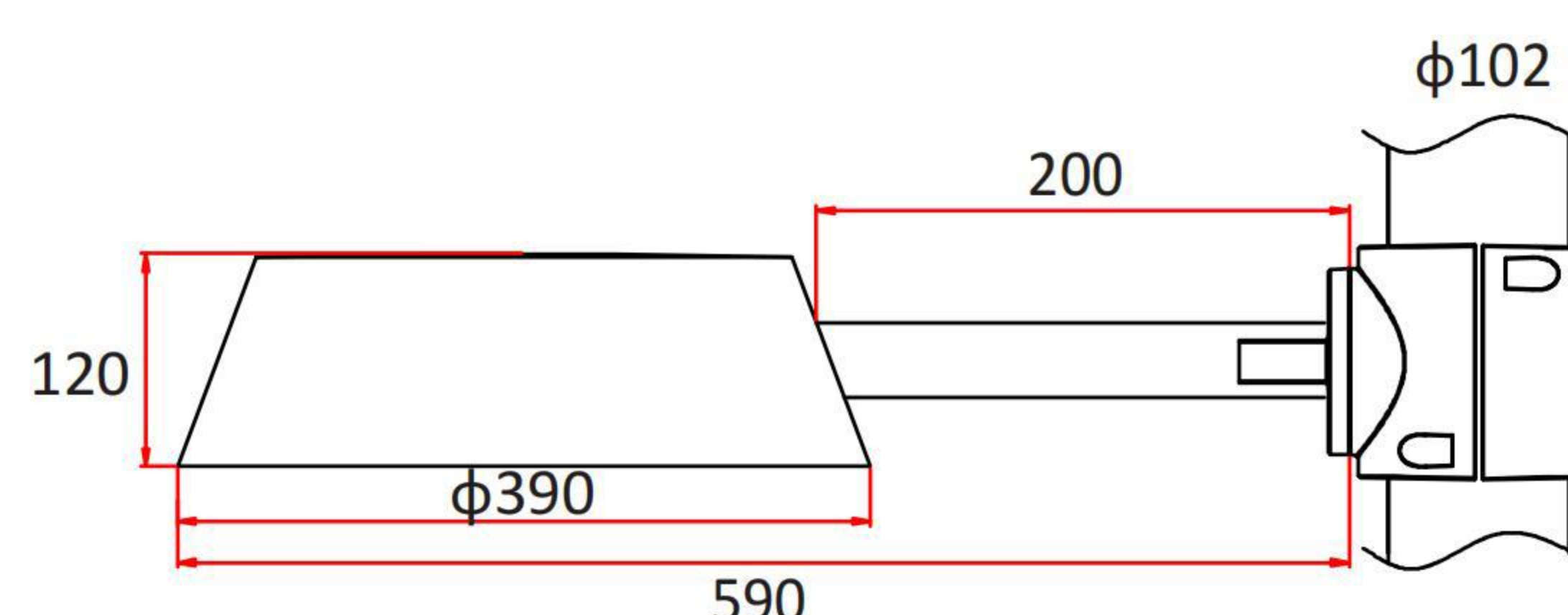
Wattage	30/50/70/90W
IP Rating	IP65
IK Rating	IK08
Material	High corrosion resistance die-cast copper-free aluminum body
Coating	Polyester powder coating with phosphochromating pre-finish
Light source	SMD high-intensity power LEDs
Standard Deviation Color Matching	MacAdam step 3
Screws	Stainless steel
Transformer	Electronic power supply 220/240V 50/60Hz built-in or AC120-277V
Gasket	Silicone rubber
Glass	Tempered
Power cable	1 mt. neoprene power cable included
Gross weight	7.5 Kg
Surge Protection	6 KV
Notes	Can on request DALI version available on request
Installation type	Pole Mount



SUNFLOWER

EL-1885-30/50/70/90W

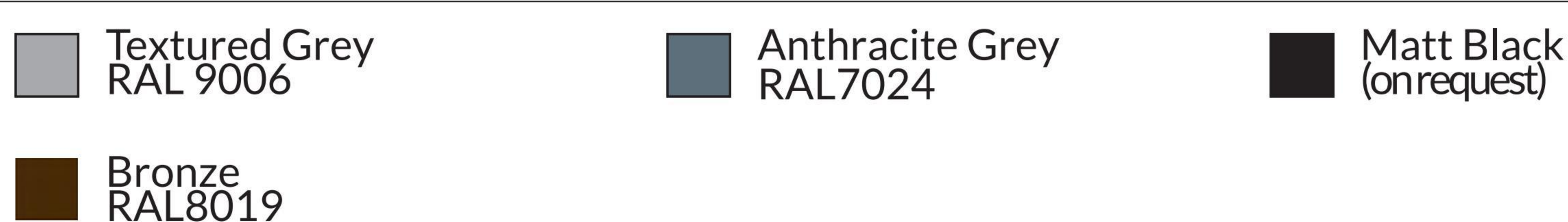
SunFlowers blurs the lines between outdoor and indoor luminaires. A curb to cube family approach puts the focus on a variety of mounting options to cover a range of exterior and interior lighting needs. From roadways to pathways, public parks to university campuses, parking lots to lobbies, Sunflower has you covered. Mix and match lighting requirements with a consistent design aesthetic – outdoors and in.



light source*	lumen output (lm)	lumin. efficacy (lm/w)	light beam options
5000°K white			
LT-1885-30W	4950.0	165.0	Type II
LT-1885-50W	8250.0		Type III
LT-1885-70W	11550.0		Type IV
LT-1885-90W	14850.0		Type V

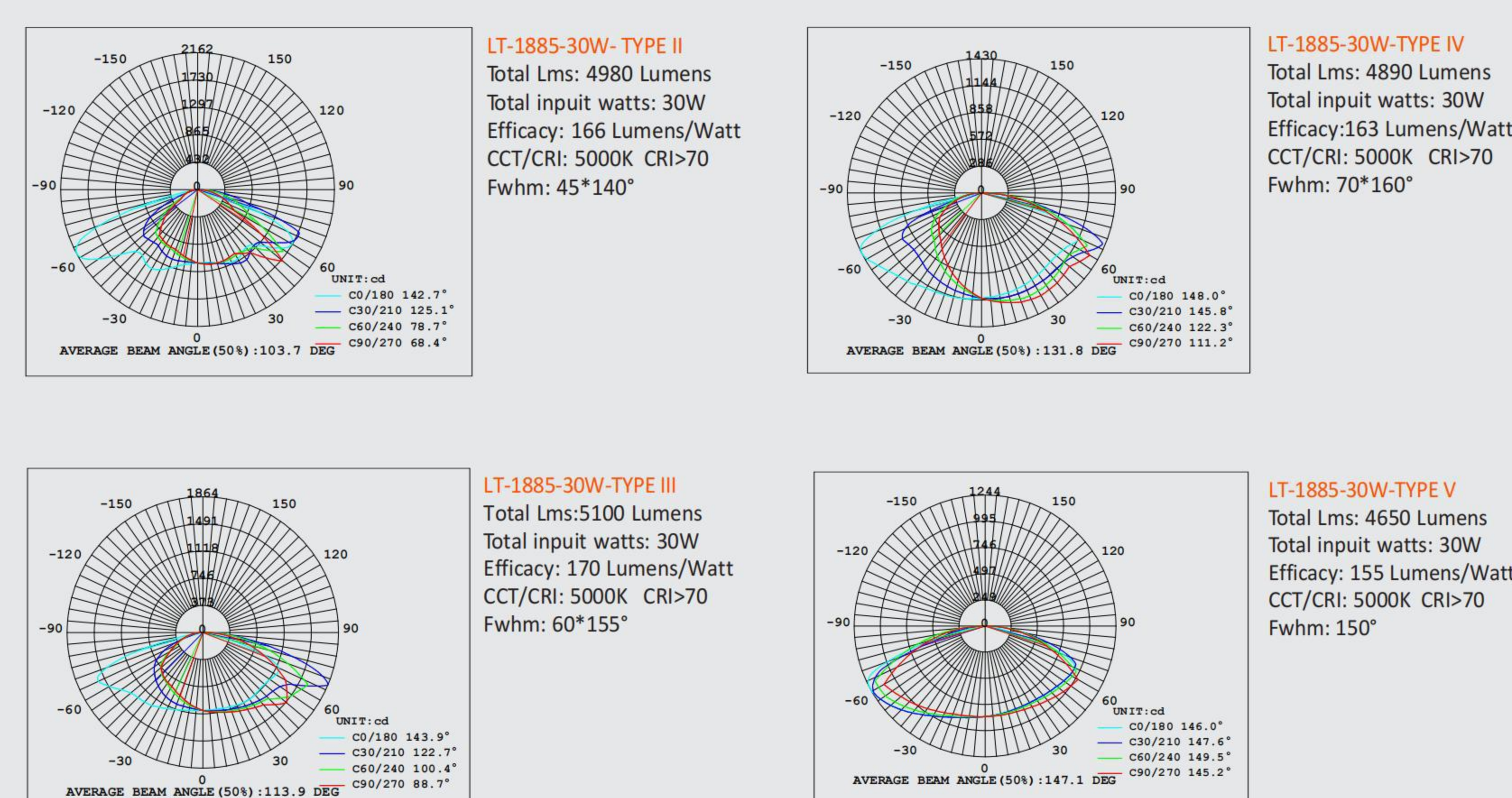
3000/4000K CCT available on request

Finish color options :



Customizable in different finishing colors

Option



Technical features



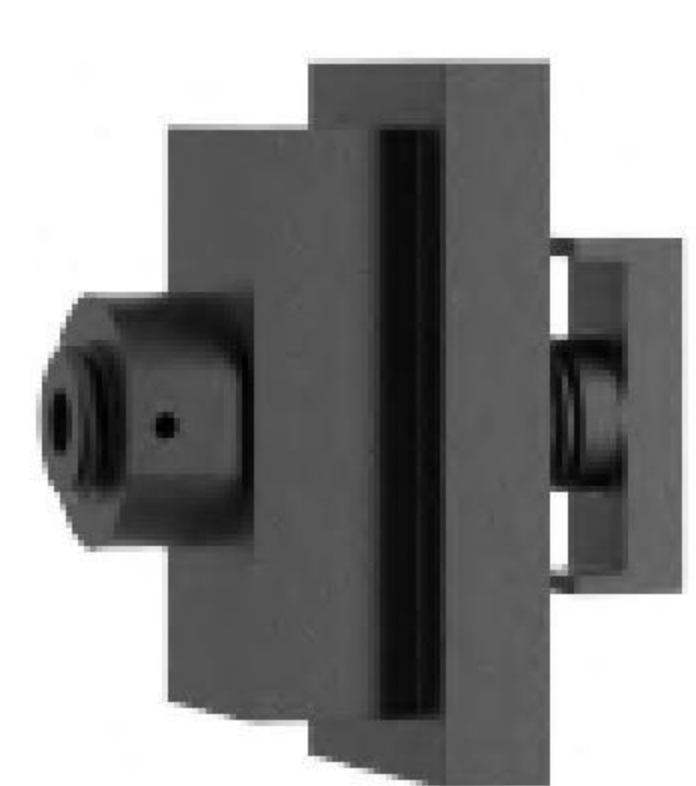
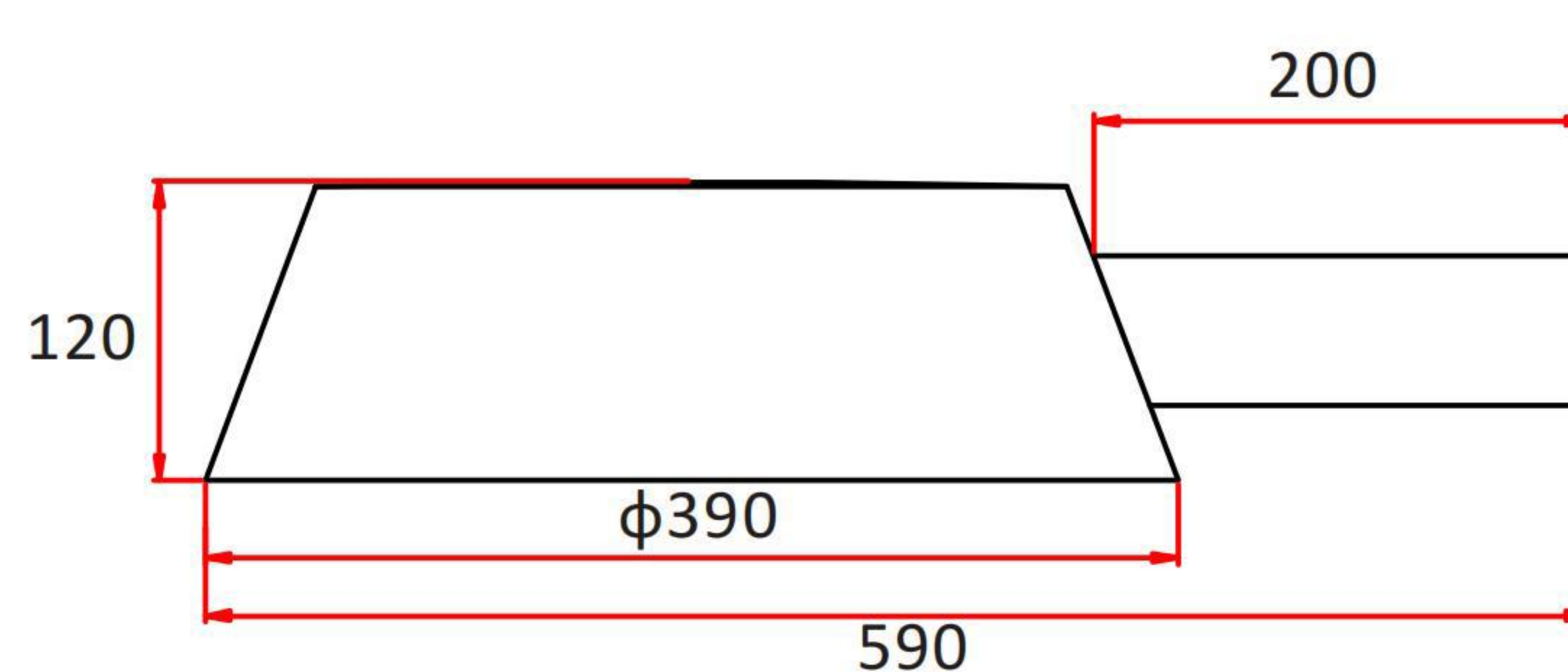
Technical data

Wattage	30/50/70/90W
IP Rating	IP65
IK Rating	IK08
Material	High corrosion resistance die-cast copper-free aluminum body
Coating	Polyester powder coating with phosphochromating pre-finish
Light source	SMD high-intensity power LEDs
Standard Deviation Color Matching	MacAdam step 3
Screws	Stainless steel
Transformer	Electronic power supply 220/240V 50/60Hz built-in or AC120-277V
Gasket	Silicone rubber
Glass	Tempered
Power cable	1 mt. neoprene power cable included
Gross weight	7.3 Kg
Surge Protection	6 KV
Notes	Can on request DALI version available on request
Installation type	Pole Mount

SUNFLOWER

EL-1885-30/50/70/90W

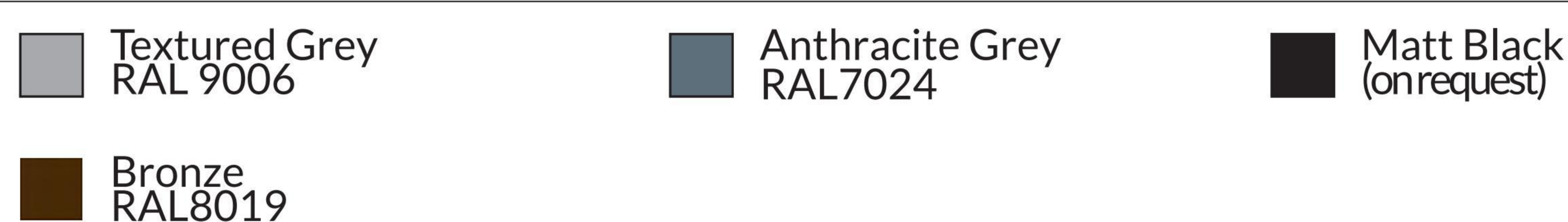
SunFlowers blurs the lines between outdoor and indoor luminaires. A curb to cube family approach puts the focus on a variety of mounting options to cover a range of exterior and interior lighting needs. From roadways to pathways, public parks to university campuses, parking lots to lobbies, Sunflower has you covered. Mix and match lighting requirements with a consistent design aesthetic – outdoors and in.



light source*	lumen output (lm)	lumin. efficacy (lm/w)	light beam options
5000°K white			
LT-1885-30W	4950.0	165.0	Type II
LT-1885-50W	8250.0		Type III
LT-1885-70W	11550.0		Type IV
LT-1885-90W	14850.0		Type V

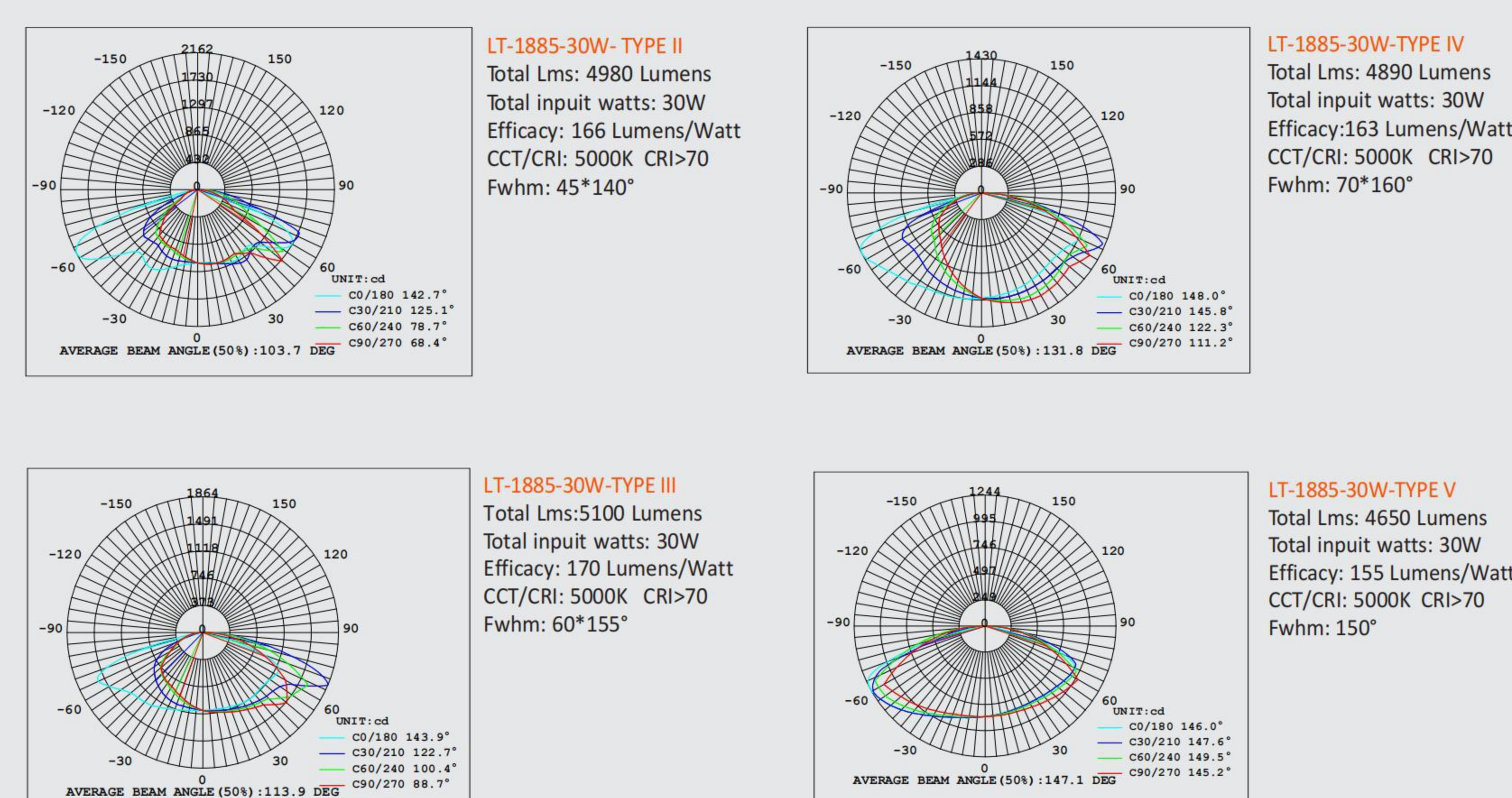
3000/4000K CCT available on request

Finish color options :



Customizable in different finishing colors

Option



Technical features



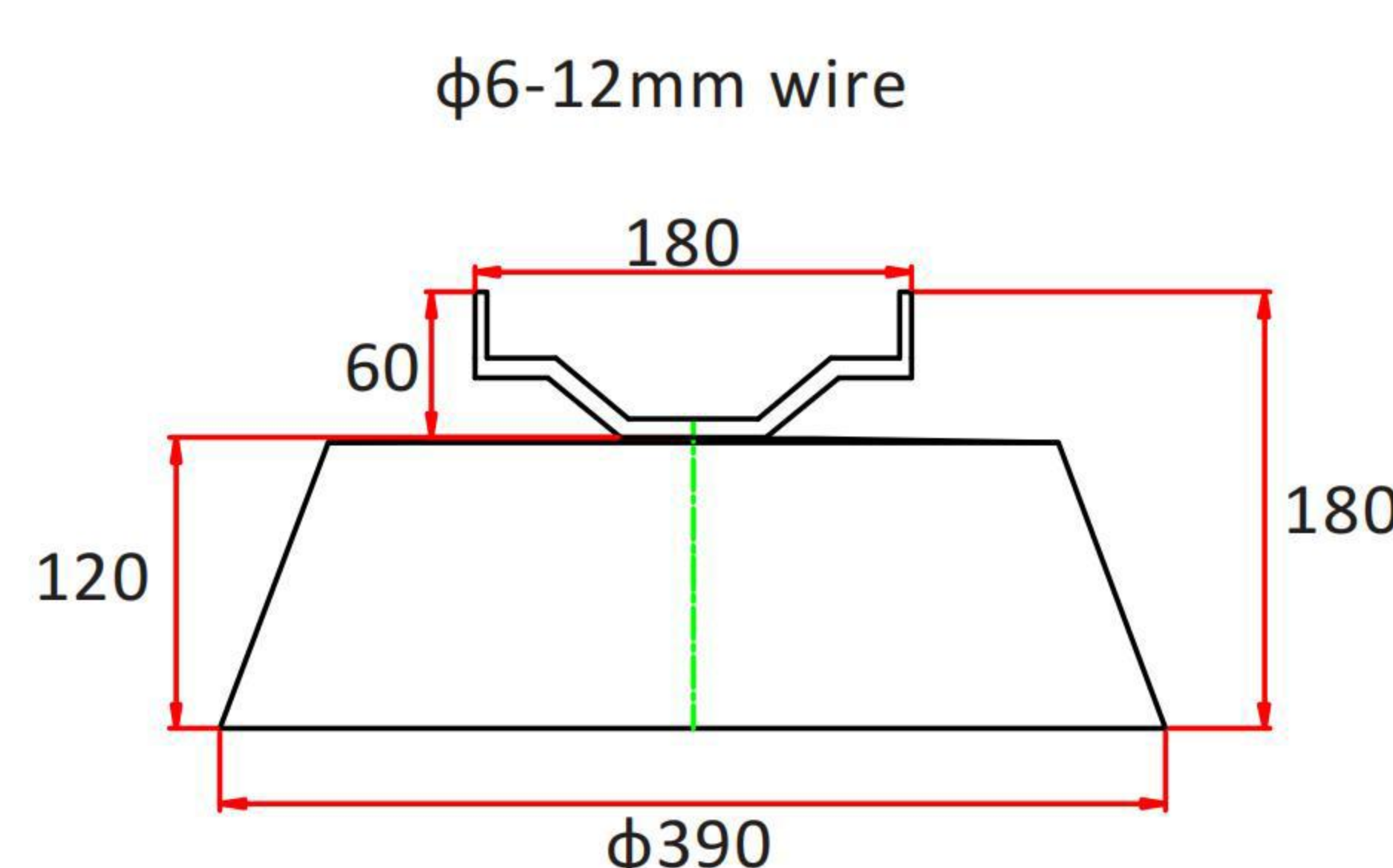
Technical data

Wattage	30/50/70/90W
IP Rating	IP65
IK Rating	IK08
Material	High corrosion resistance die-cast copper-free aluminum body
Coating	Polyester powder coating with phosphochromating pre-finish
Light source	SMD high-intensity power LEDs
Standard Deviation Color Matching	MacAdam step 3
Screws	Stainless steel
Transformer	Electronic power supply 220/240V 50/60Hz built-in or AC120-277V
Gasket	Silicone rubber
Glass	Tempered
Power cable	1 mt. neoprene power cable included
Gross weight	7.3 Kg
Surge Protection	6 KV
Notes	Can on request DALI version available on request
Installation type	Catenary Mount

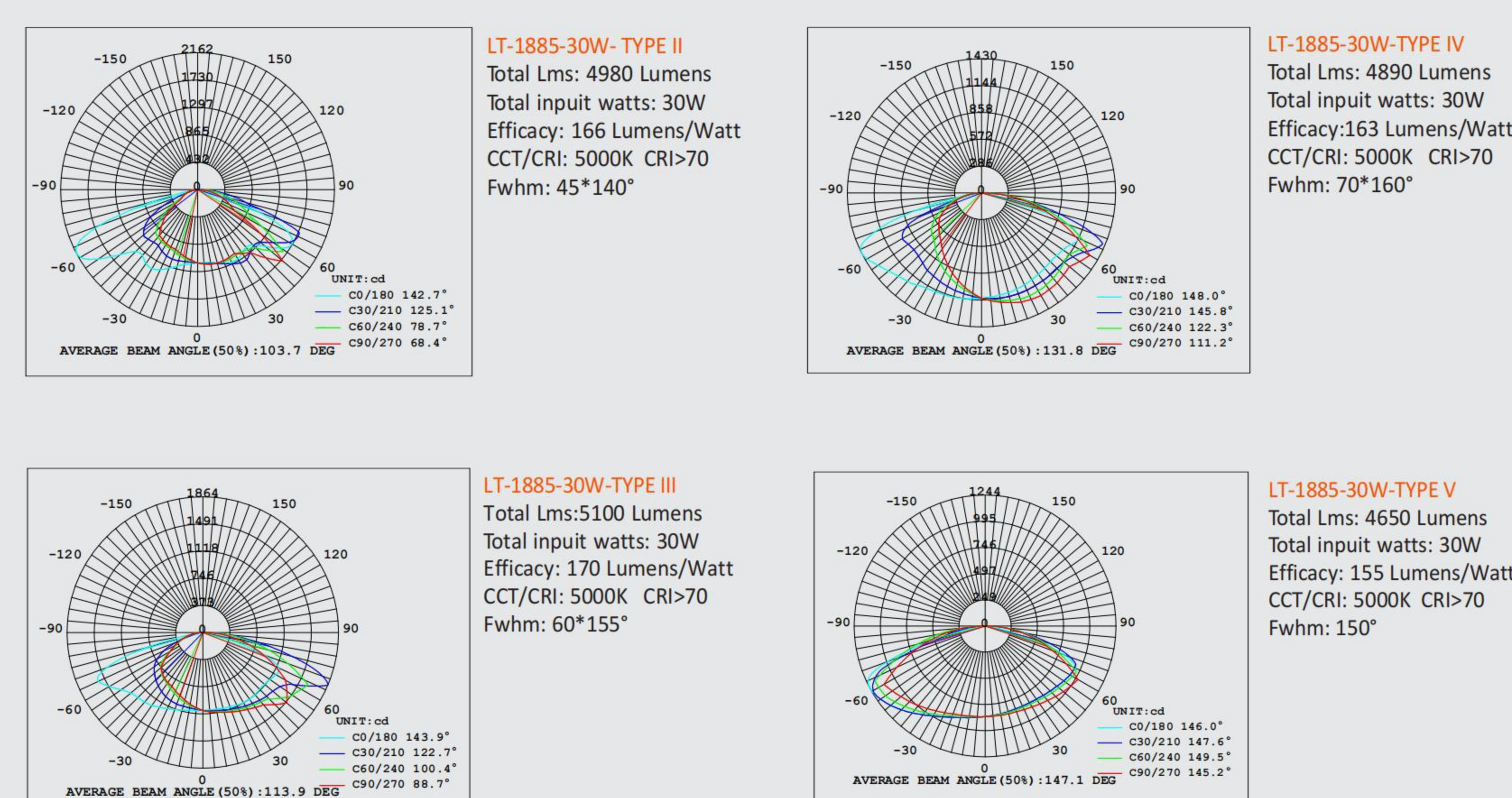
SUNFLOWER

EL-1885-30/50/70/90W

SunFlowers blurs the lines between outdoor and indoor luminaires. A curb to cube family approach puts the focus on a variety of mounting options to cover a range of exterior and interior lighting needs. From roadways to pathways, public parks to university campuses, parking lots to lobbies, Sunflower has you covered. Mix and match lighting requirements with a consistent design aesthetic – outdoors and in.



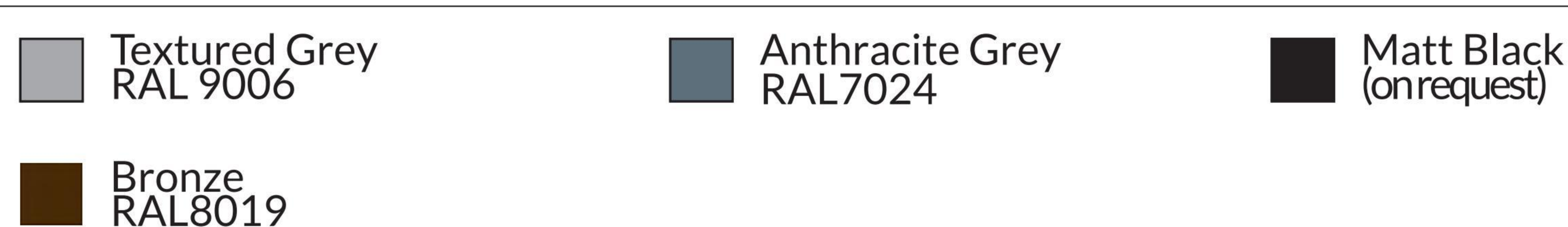
Option



light source*	lumen output (lm)	lumin. efficacy (lm/w)	light beam options
5000°K white			
LT-1885-30W	4950.0	165.0	Type II
LT-1885-50W	8250.0		Type III
LT-1885-70W	11550.0		Type IV
LT-1885-90W	14850.0		Type V

3000/4000K CCT available on request

Finish color options :



Customizable in different finishing colors



Technical features



Technical data

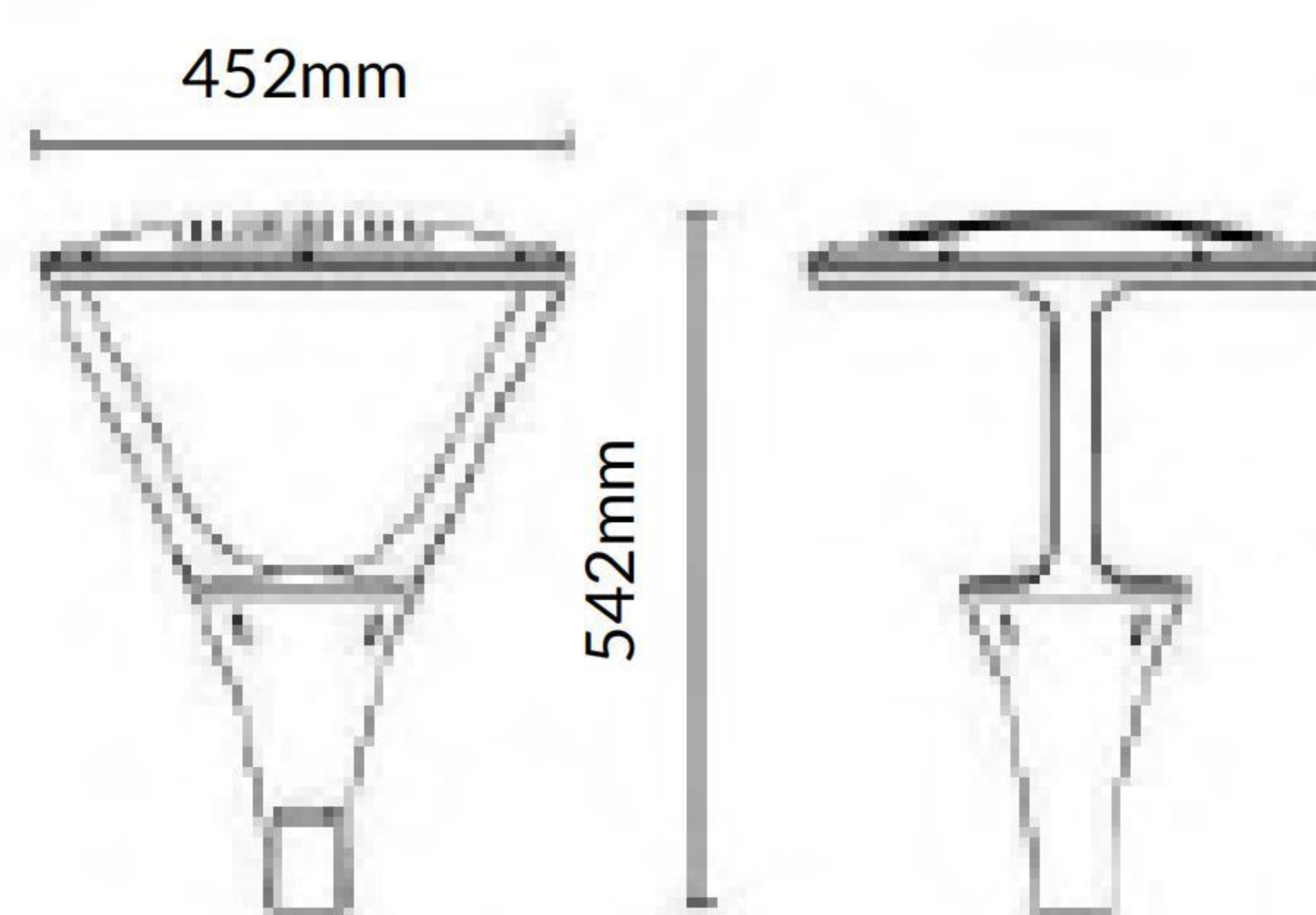
Wattage	50/70/100W
IP Rating	IP66
IK Rating	IK08
Material	High corrosion resistance die-cast copper-free aluminum body
Coating	Polyester powder coating with phosphochromating pre-finish
Light source	SMD high-intensity power LEDs
Standard Deviation Color Matching	:MacAdam step 3
Screws	Stainless steel
Transformer	Electronic power supply 220/240V 50/60Hz built-in or AC120-277V
Gasket	Silicone rubber
Glass	Tempered
Power cable	1 mt. neoprene power cable included
Gross weight	7.3 Kg
Surge Protection	6 KV
Notes	Can on request DALI version available on request



PARASOL

EL-DZ-50/70/100W

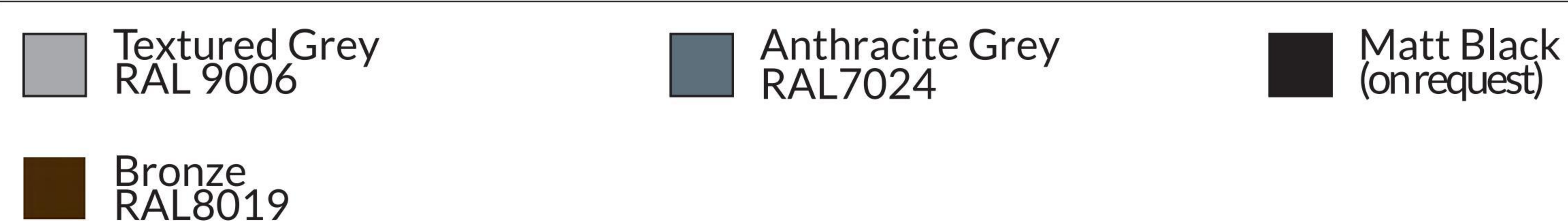
Die-cast aluminium body (EN 47100).
 Double layer polyester powder paint resistant to corrosion and salt spray fog.
 Silicone rubber gaskets.
 AISI 316 stainless steel external screws.
 Driver protected against voltage surges.
 PMMA lenses for LEDs.
 Screen made of 5mm thermal-shock resistant tempered glass.



light source*	lumen output (lm)	lumin. efficacy (lm/w)	light beam options
5000°K white			
LT-OS-50W	6000.0	120.0	Type II
			Type III
LT-OS-70W	8400.0		Type IV
			Type IV Wide
LT-OS-100W	1200.0		Type V Square Medium
			Type V Wide (Round)

3000/4000K CCT available on request

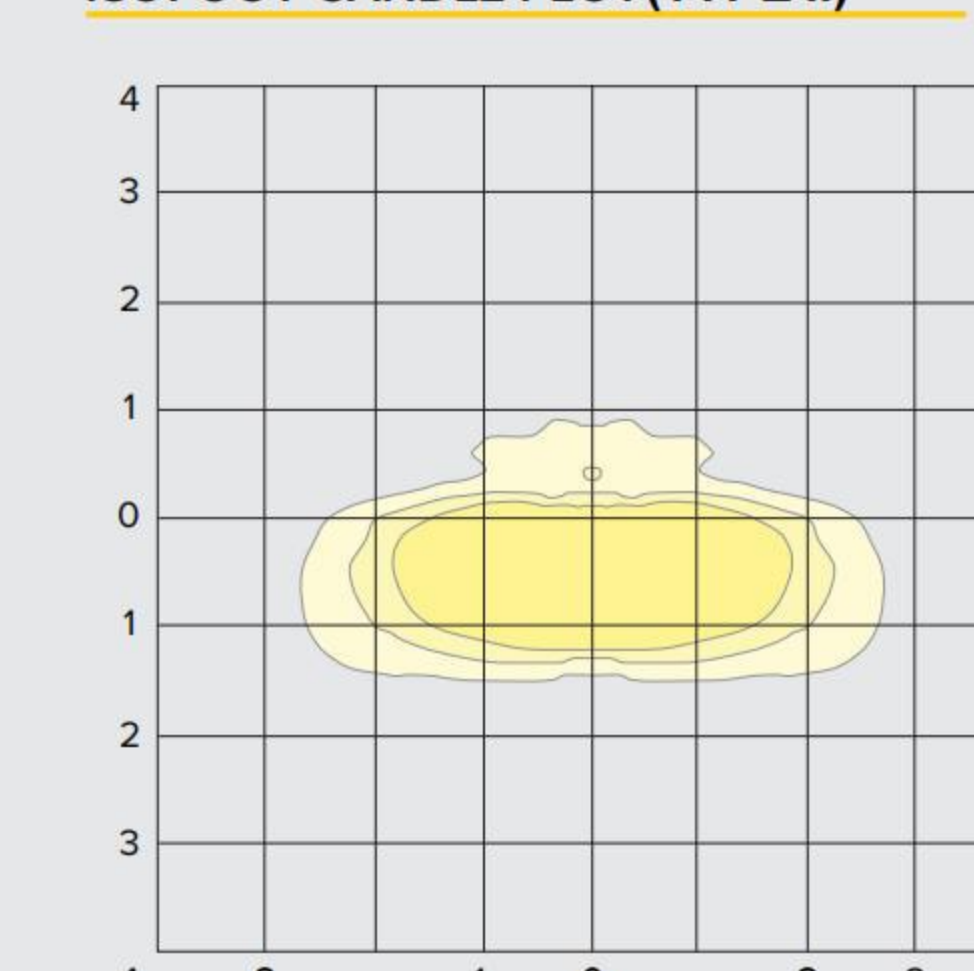
Finish color options :



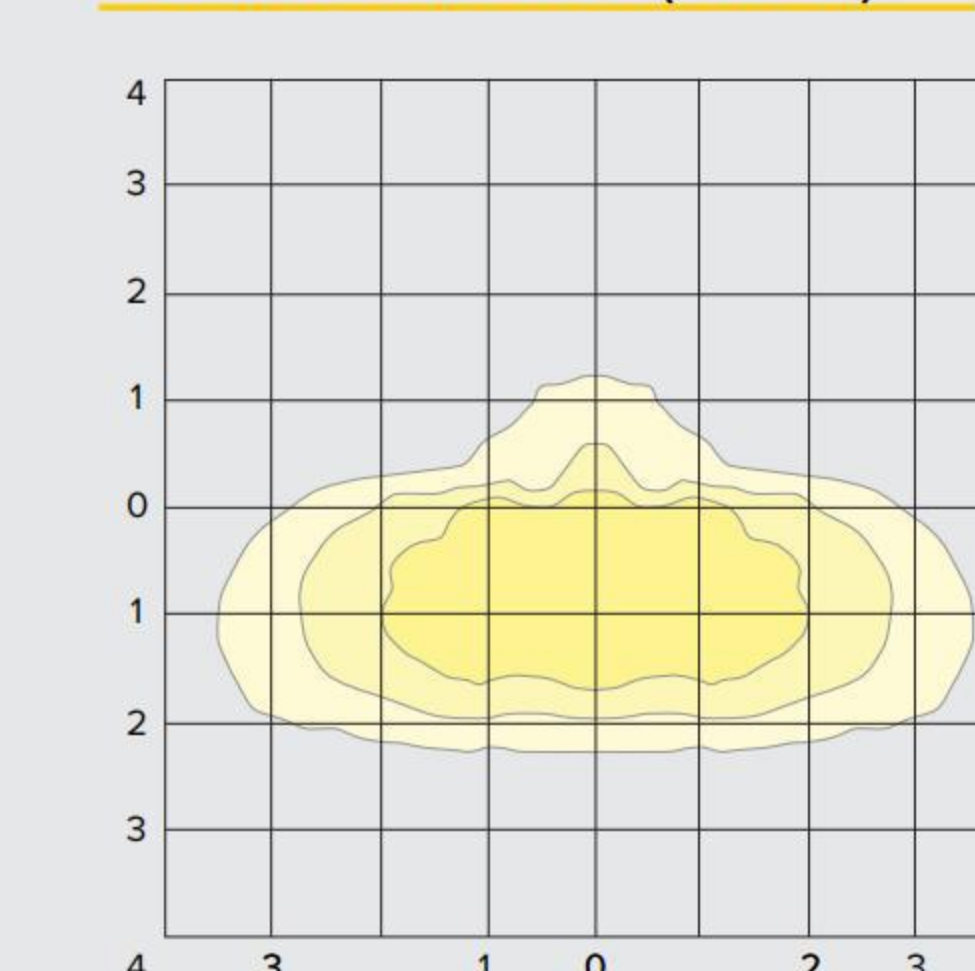
Customizable in different finishing colors

Option

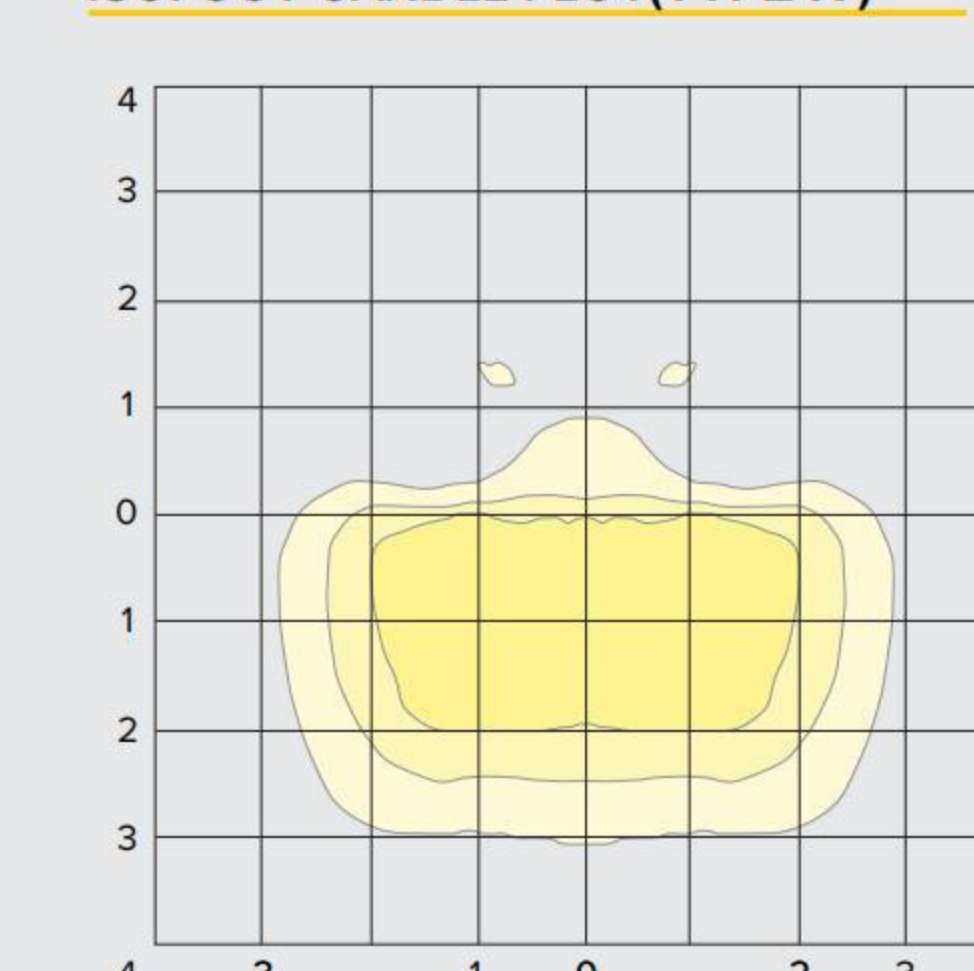
ISOFOOT CANDLE PLOT (TYPE II)



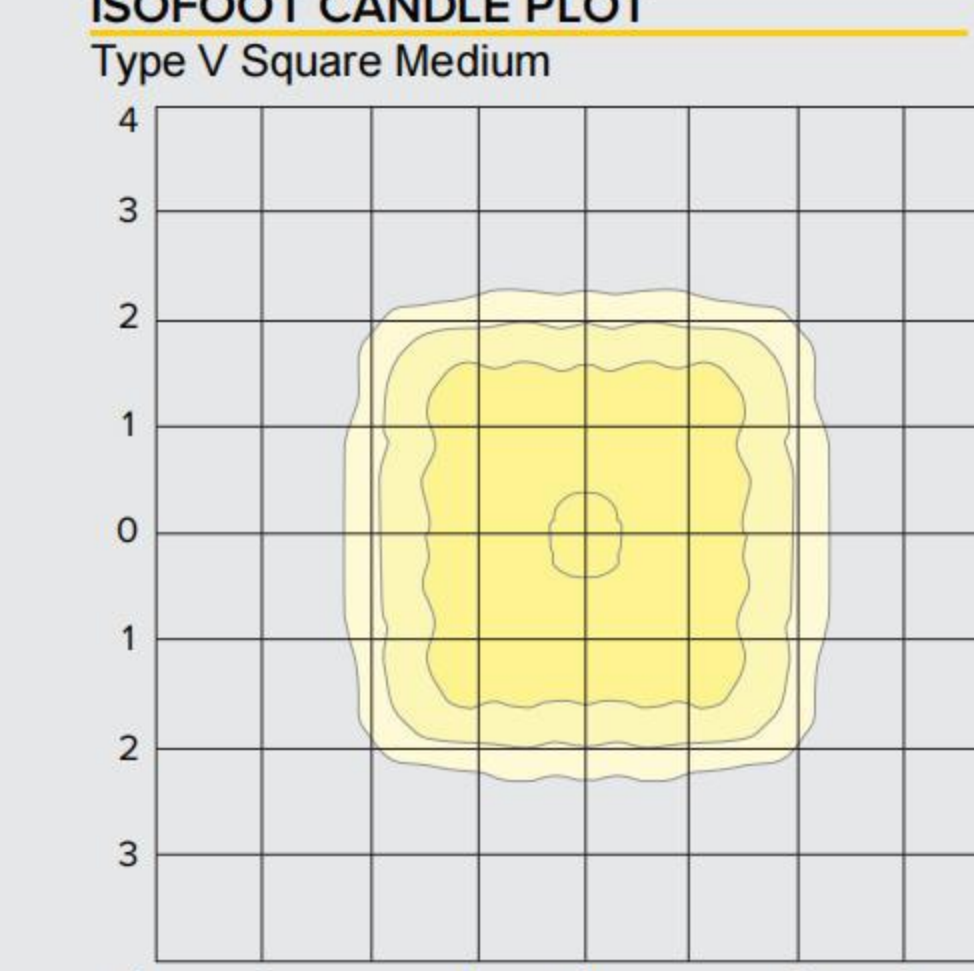
ISOFOOT CANDLE PLOT (TYPE III)



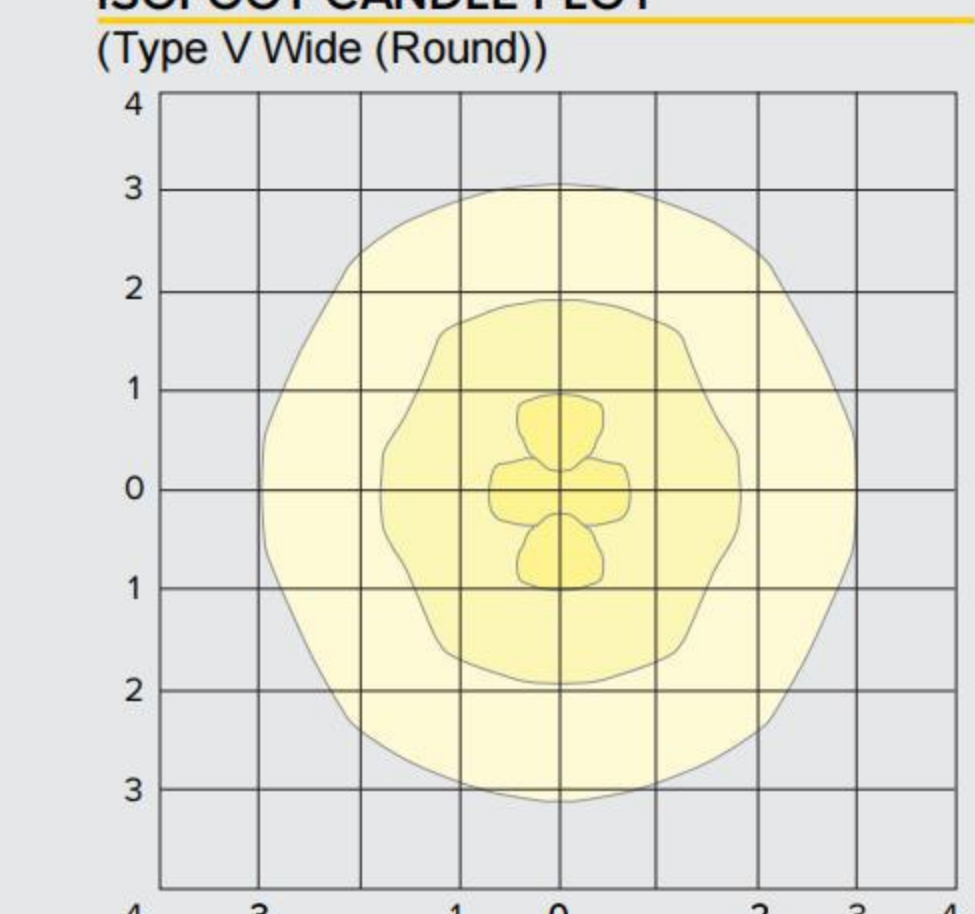
ISOFOOT CANDLE PLOT (TYPE IV)



ISOFOOT CANDLE PLOT (Type V Square Medium)



ISOFOOT CANDLE PLOT (Type V Wide (Round))



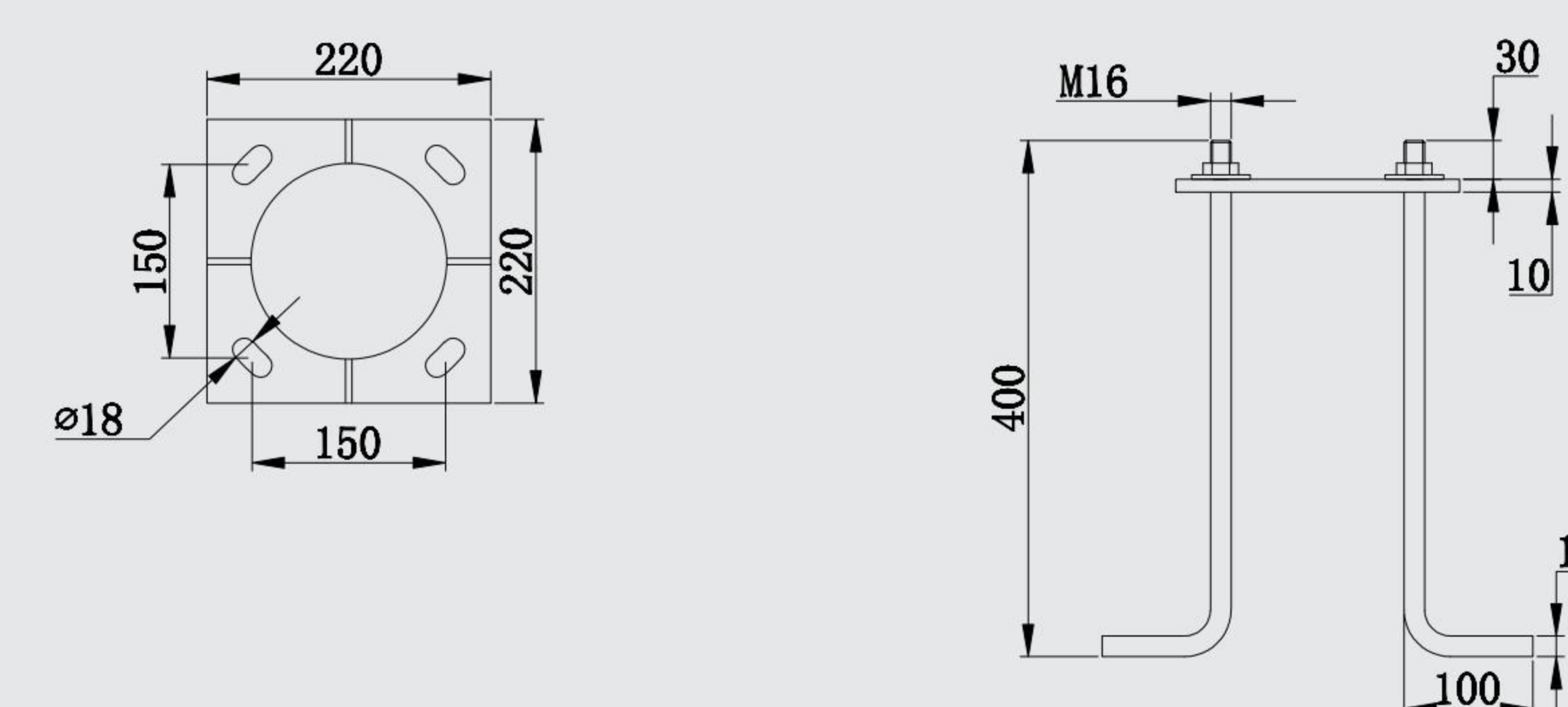
Technical features



Technical data

Wattage	24W
IP Rating	IP65
IK Rating	IK08
Material	High corrosion resistance die-cast copper-free aluminum body +Aluminum profile
Coating	Polyester powder coating with phosphochromating pre-finish
Light source	8x5050LED CRI>80
Standard Deviation Color Matching	:MacAdam step 3
Screws	Stainless steel
Transformer	Electronic power supply 220/240V 50/60Hz built-in or AC120-277V/DC12-24V
Gasket	Silicone rubber
Glass	Tempered
Power Cables	Neoprene cable 3x0.75
Power cable	1 mt. neoprene power cable included

Lamp body material: Polycarbonate powder spraying on the surface of aluminum profile



Concrete anchor 1024
Material: steel
*Need to be purchased separately

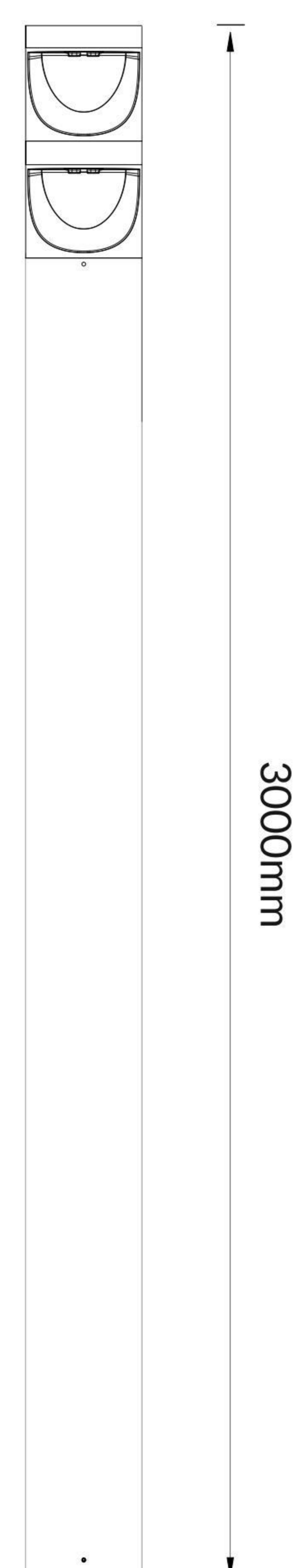
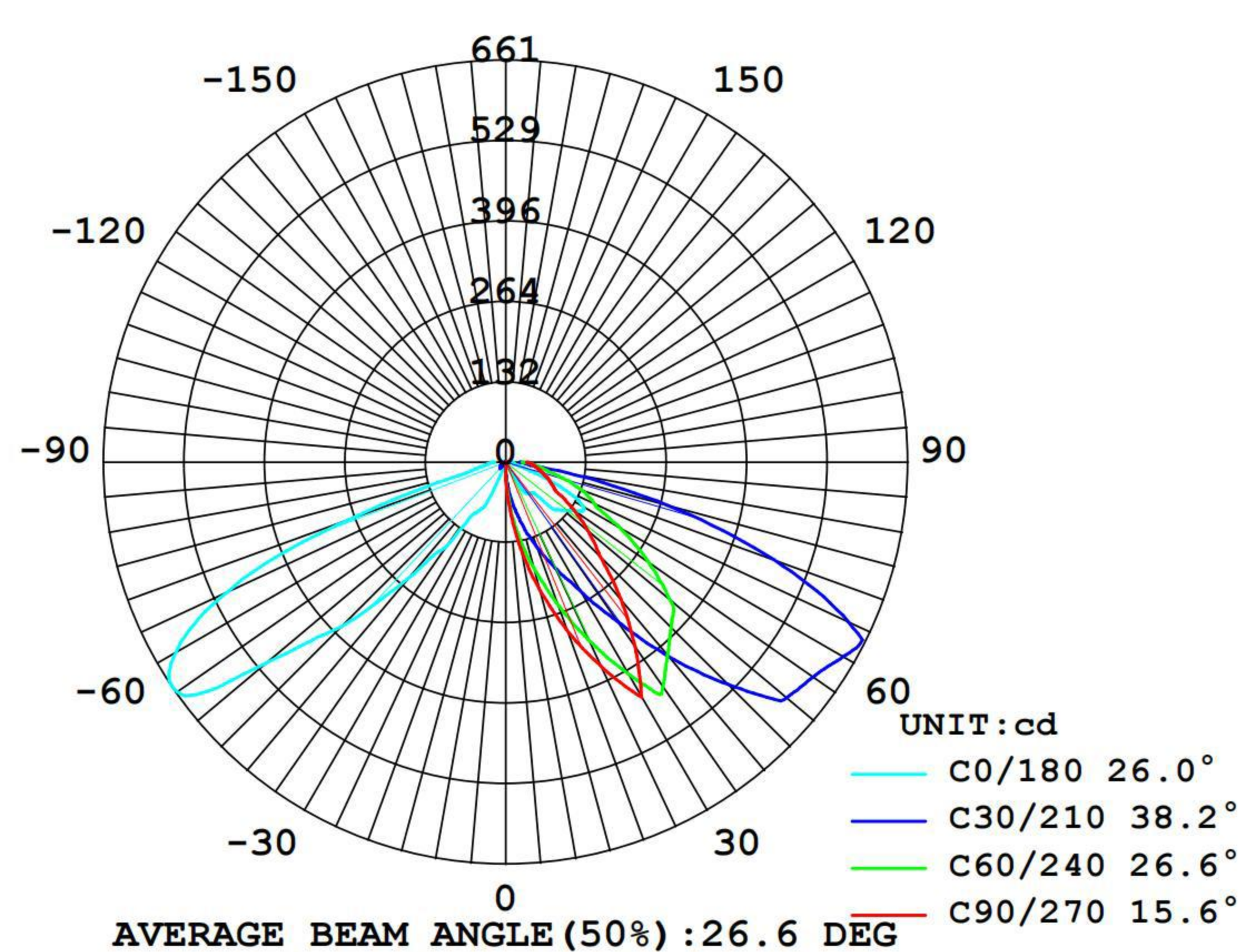
LAUGH

EL-BL-UT-24W

A series of LED light building elements with asymmetrical light distribution.

Light building elements are luminous design features for public areas.

They are ideally suited for delineating and structuring interior and exterior spaces such as landscape areas, plazas, building entrances

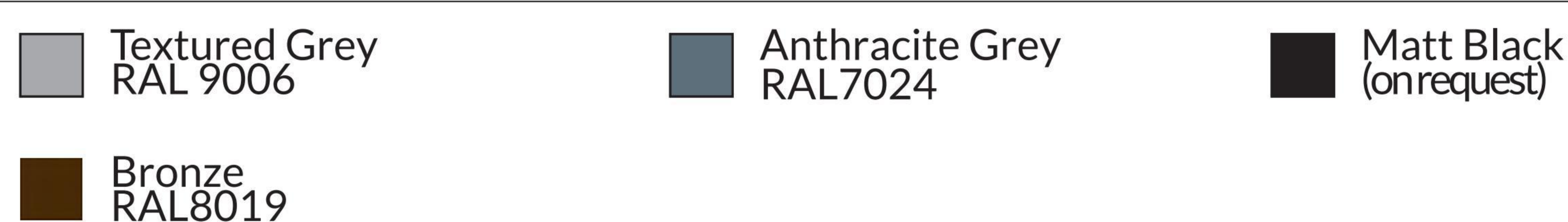


light source*	lumen output (lm)	lumin. efficacy (lm/w)	light beam options
5000K white			
LT-BL-UT-24W	1920.0	80.0	Asymmetric (70x150°)

3000/4000K CCT available on request

Unilateral light output

Finish color options :



Customizable in different finishing colors



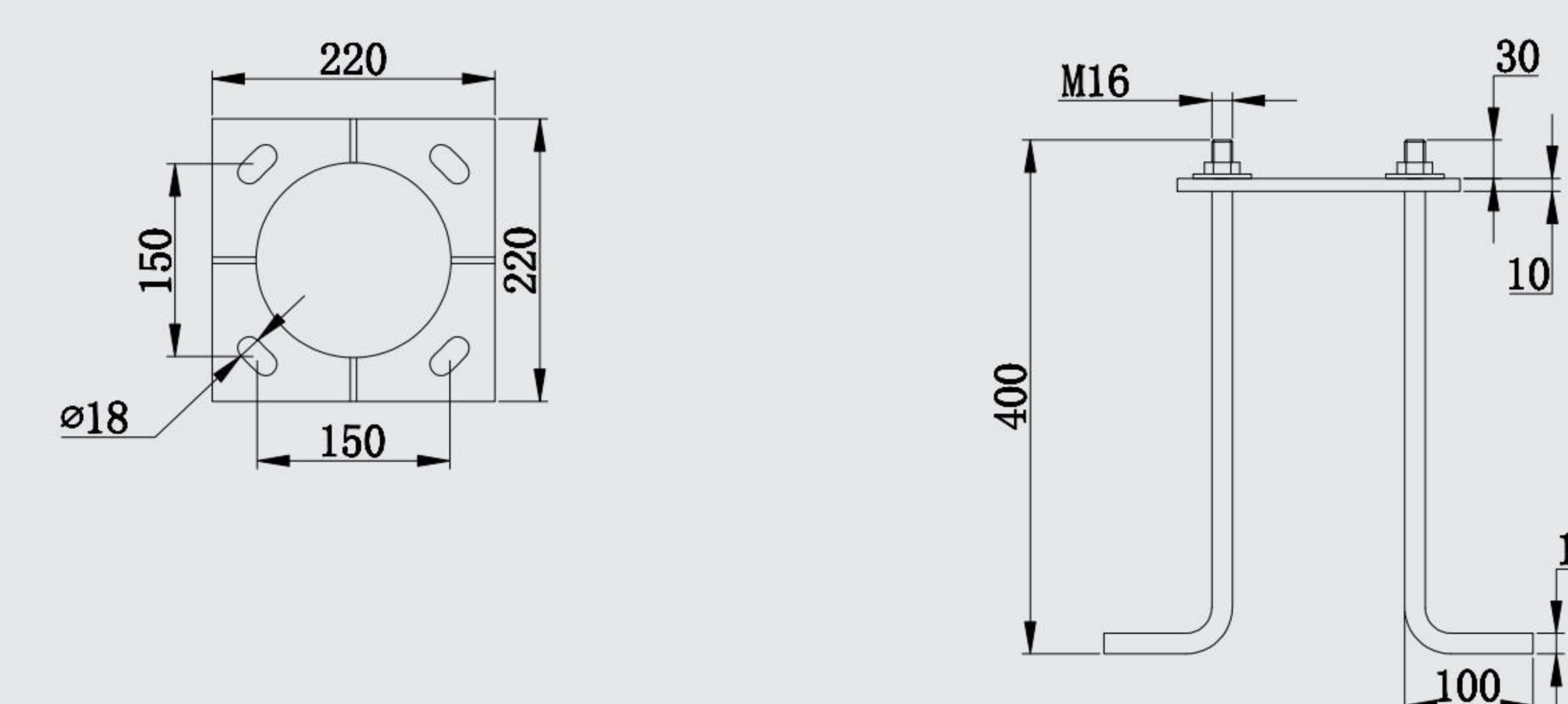
Technical features



Technical data

Wattage	48W
IP Rating	IP65
IK Rating	IK08
Material	High corrosion resistance die-cast copper-free aluminum body +Aluminum profile
Coating	Polyester powder coating with phosphochromating pre-finish
Light source	16x5050LED CRI>80
Standard Deviation Color Matching	:MacAdam step 3
Screws	Stainless steel
Transformer	Electronic power supply 220/240V 50/60Hz built-in or AC120-277V/DC12-24V
Gasket	Silicone rubber
Glass	Tempered
Power Cables	Neoprene cable 3x0.75
Power cable	1 mt. neoprene power cable included

Lamp body material: Polycarbonate powder spraying on the surface of aluminum profile



Concrete anchor 1024
Material: steel
*Need to be purchased separately

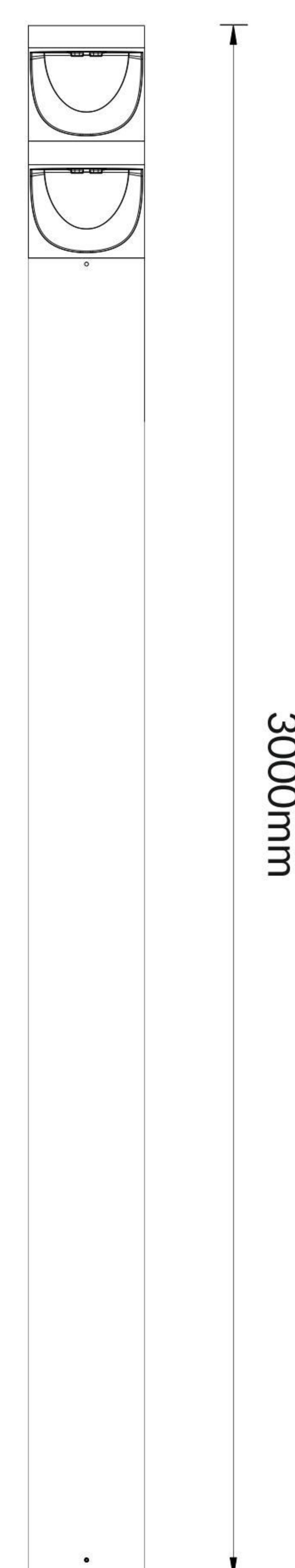
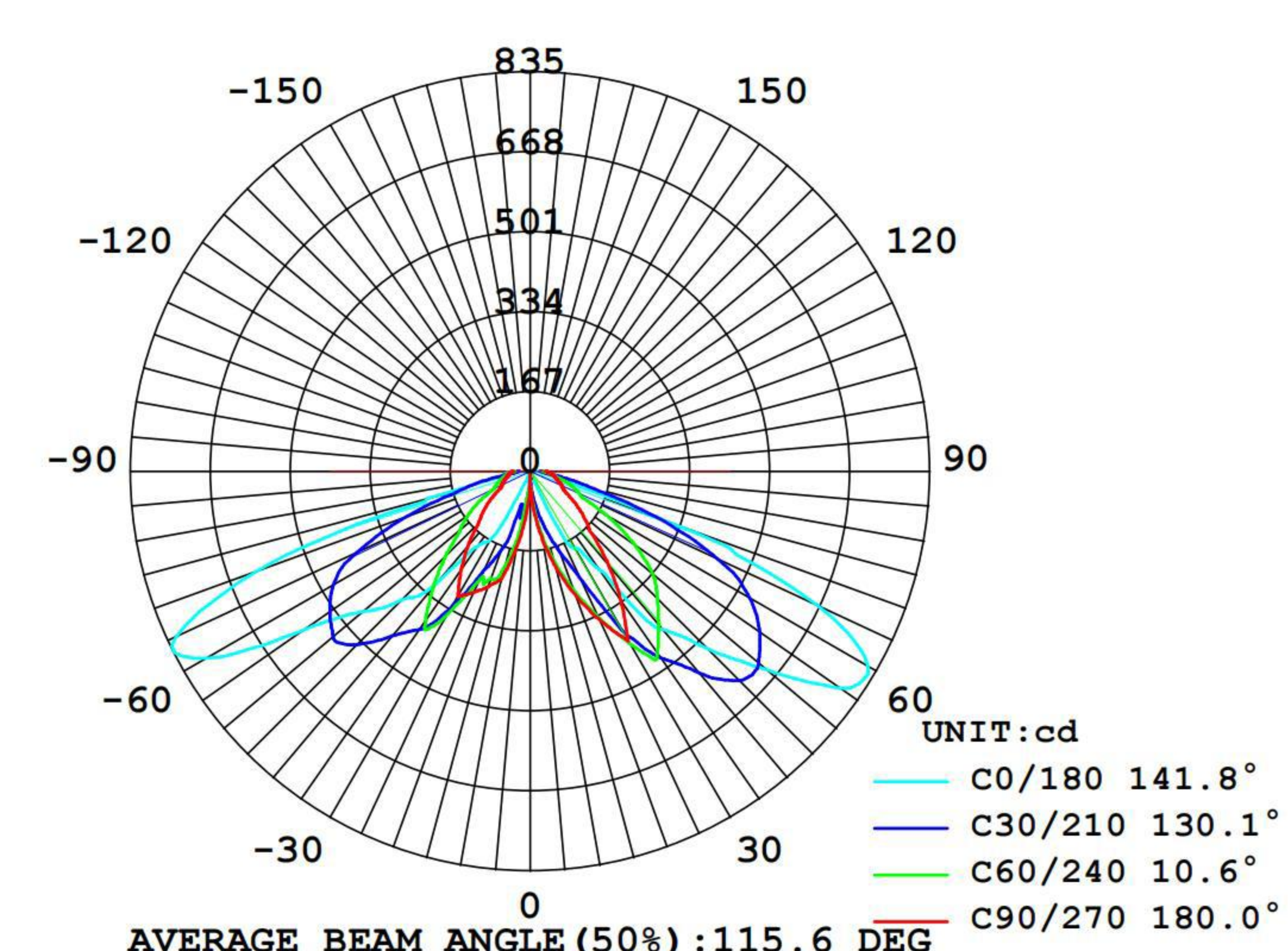
LAUGH

EL-BL-UT-48W

A series of LED light building elements with asymmetrical light distribution.

Light building elements are luminous design features for public areas.

They are ideally suited for delineating and structuring interior and exterior spaces such as landscape areas, plazas, building entrances

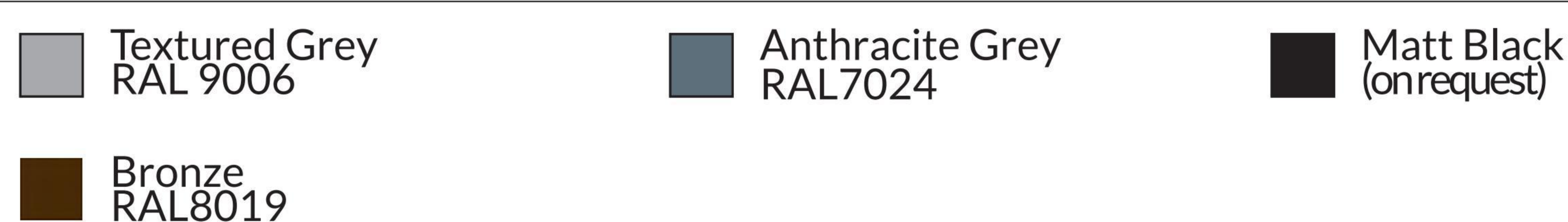


light source*	lumen output (lm)	lumin. efficacy (lm/w)	light beam options
5000K white			
LT-BL-UT-48W	3840.0	80.0	Asymmetric 2*(70x150°)

3000/4000K CCT available on request

Unilateral light output

Finish color options :



Customizable in different finishing colors



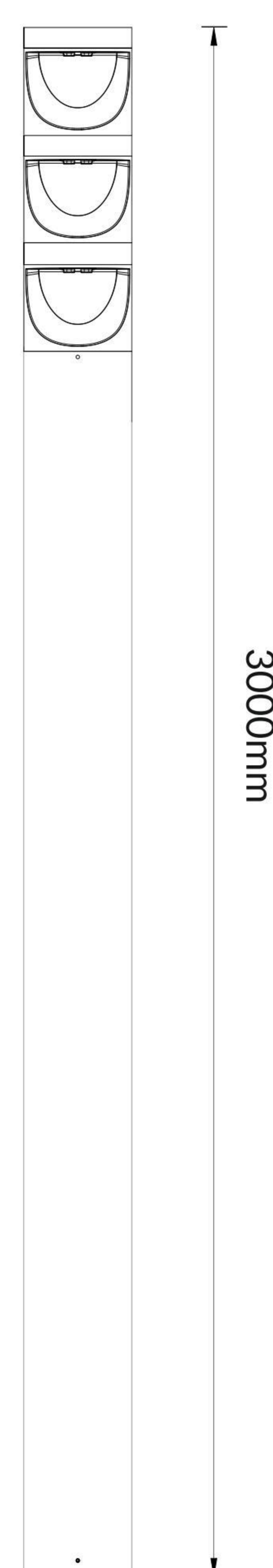
Technical features



Technical data

Wattage	36W
IP Rating	IP65
IK Rating	IK08
Material	High corrosion resistance die-cast copper-free aluminum body +Aluminum profile
Coating	Polyester powder coating with phosphochromating pre-finish
Light source	12x5050LED CRI>80
Standard Deviation Color Matching	:MacAdam step 3
Screws	Stainless steel
Transformer	Electronic power supply 220/240V 50/60Hz built-in or AC120-277V/DC12-24V
Gasket	Silicone rubber
Glass	Tempered
Power cable	1 mt. neoprene power cable included

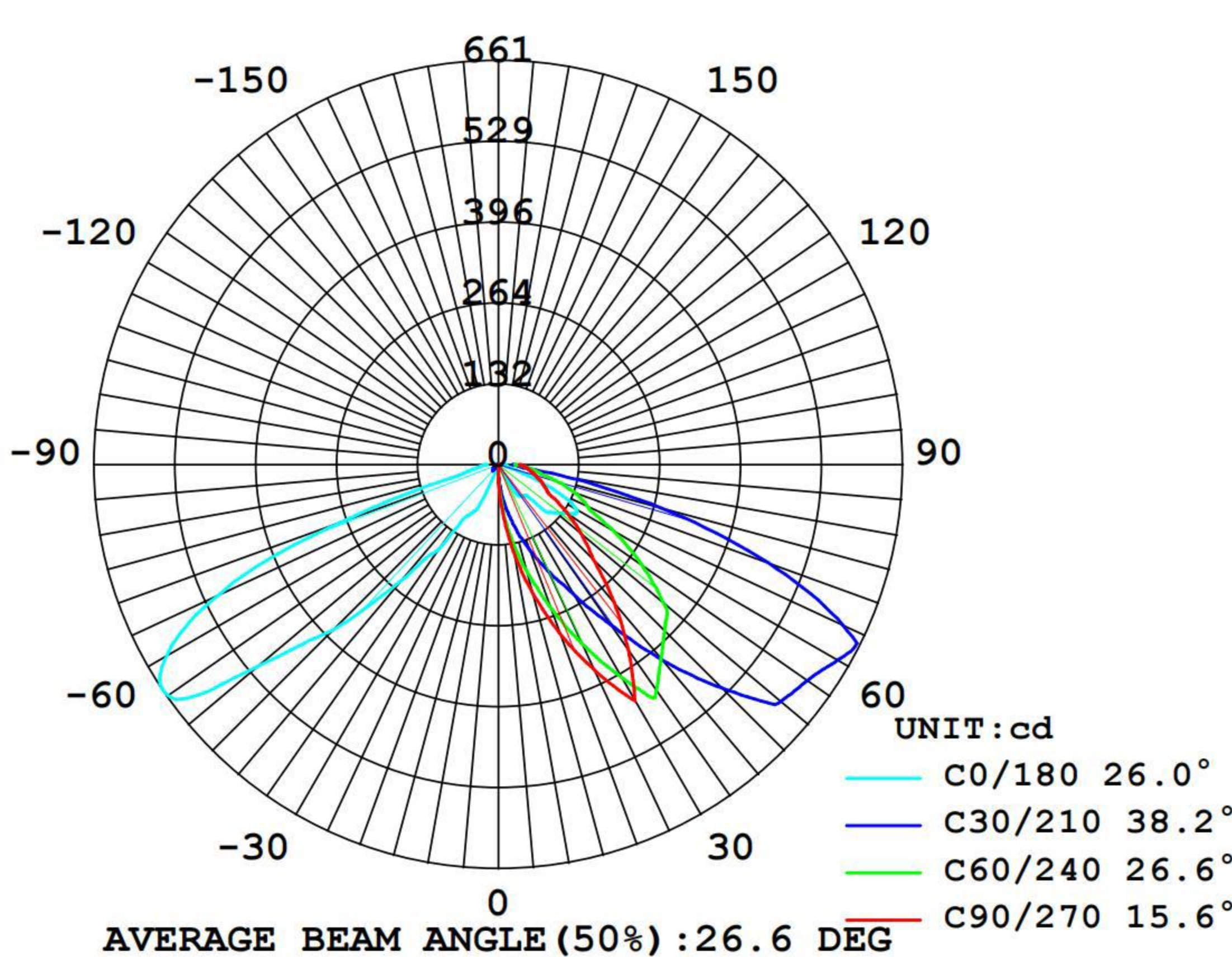
Lamp body material: Polycarbonate powder spraying on the surface of aluminum profile



LAUGH

EL-BL-UT-36W

A series of LED light building elements with asymmetrical light distribution. Light building elements are luminous design features for public areas. They are ideally suited for delineating and structuring interior and exterior spaces such as landscape areas, plazas, building entrances



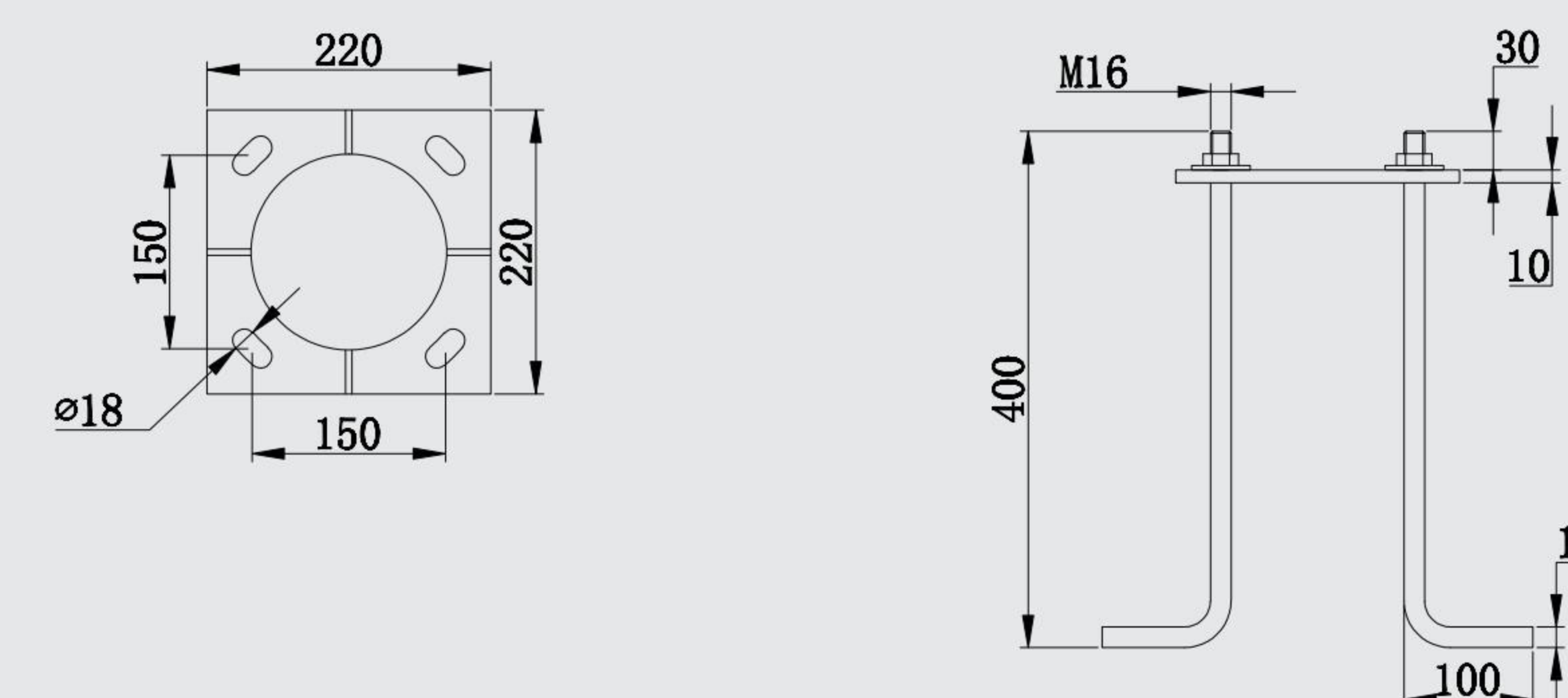
light source*	lumen output (lm)	lumin. efficacy (lm/w)	light beam options
5000K white			
LT-BL-UT-36W	2880.0	80.0	Asymmetric (70x150°)

3000/4000K CCT available on request Unilateral light output

Finish color options :



Customizable in different finishing colors



Concrete anchor 1024
Material: steel
*Need to be purchased separately



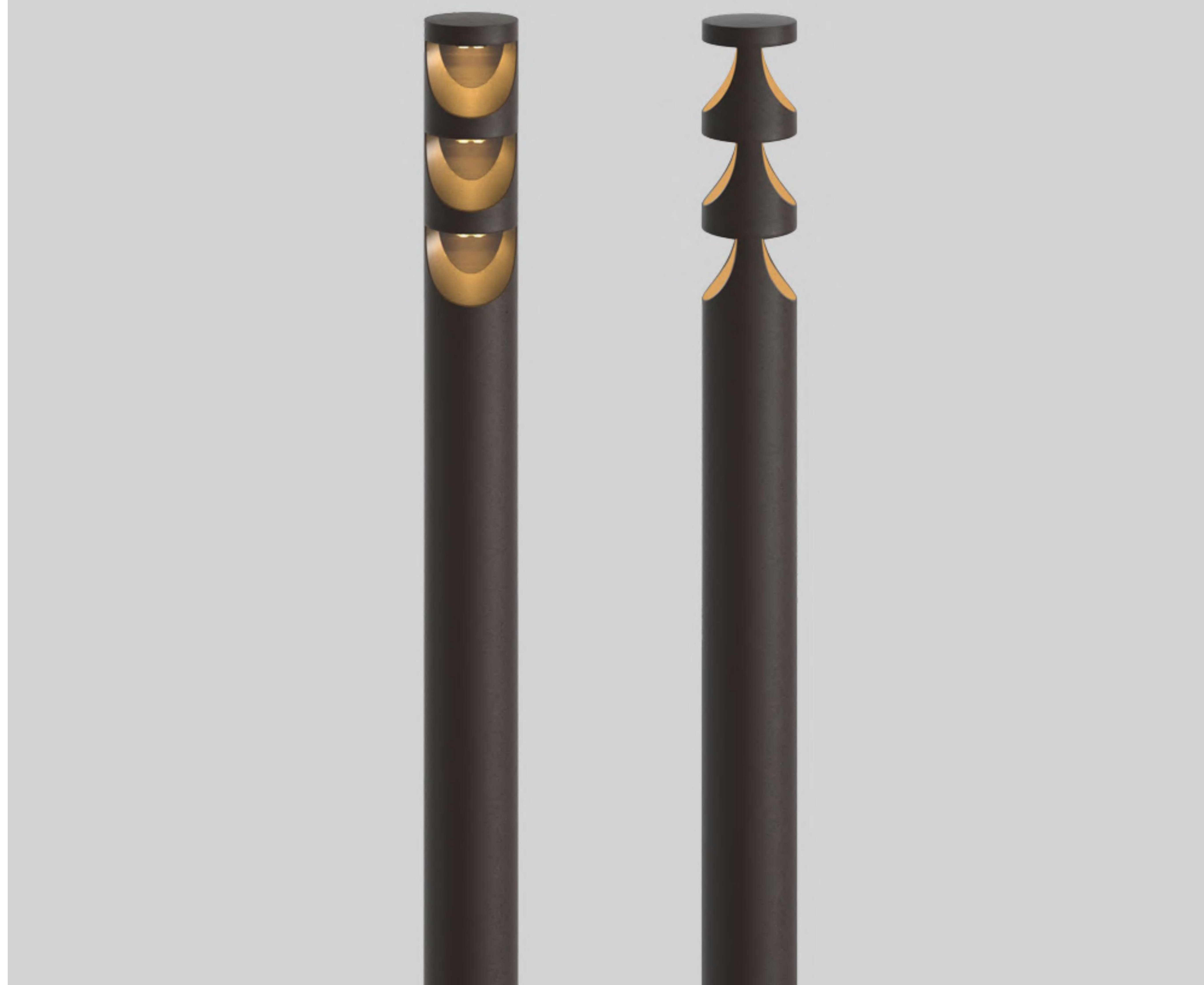
Technical features



Technical data

Wattage	72W
IP Rating	IP65
IK Rating	IK08
Material	High corrosion resistance die-cast copper-free aluminum body +Aluminum profile
Coating	Polyester powder coating with phosphochromating pre-finish
Light source	24x5050LED CRI>80
Standard Deviation Color Matching	:MacAdam step 3
Screws	Stainless steel
Transformer	Electronic power supply 220/240V 50/60Hz built-in or AC120-277V/DC12-24V
Gasket	Silicone rubber
Glass	Tempered
Power cable	1 mt. neoprene power cable included

Lamp body material: Polycarbonate powder spraying on the surface of aluminum profile



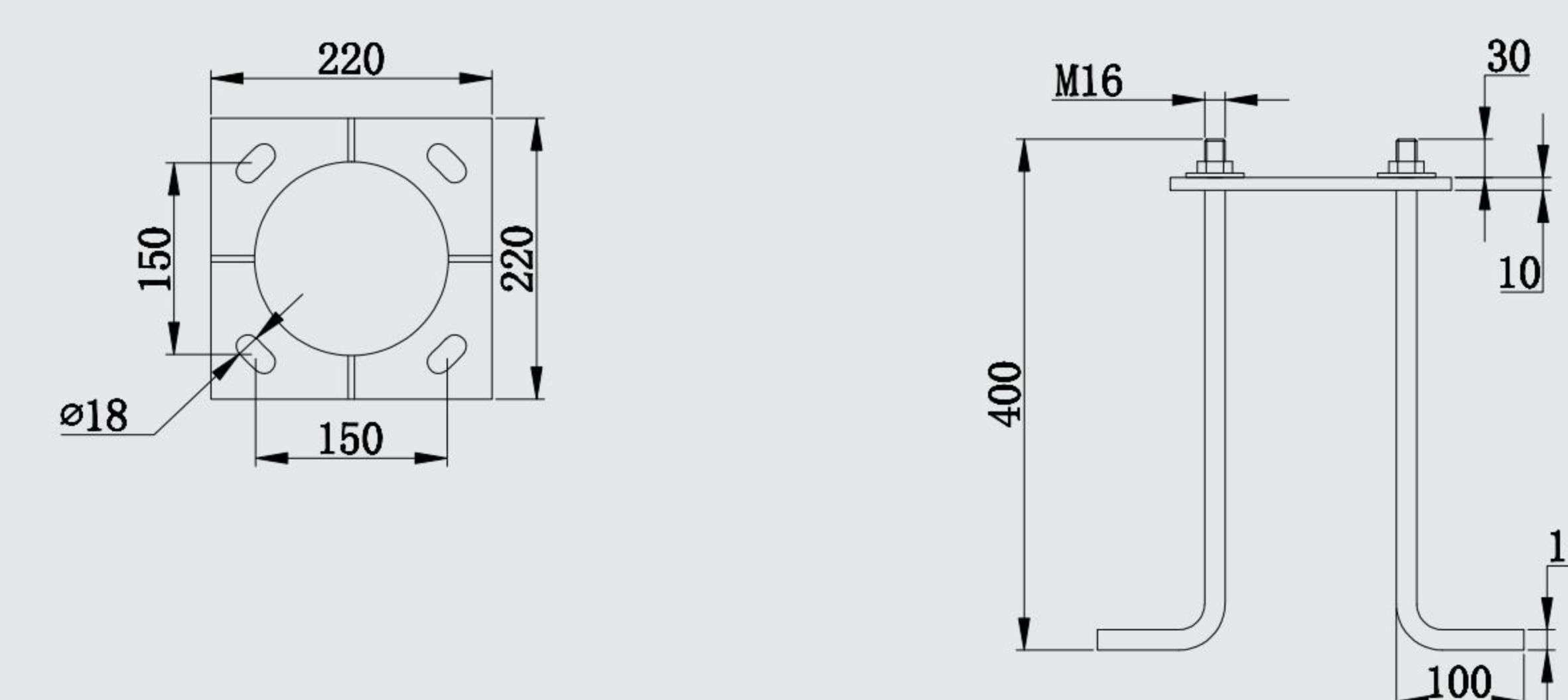
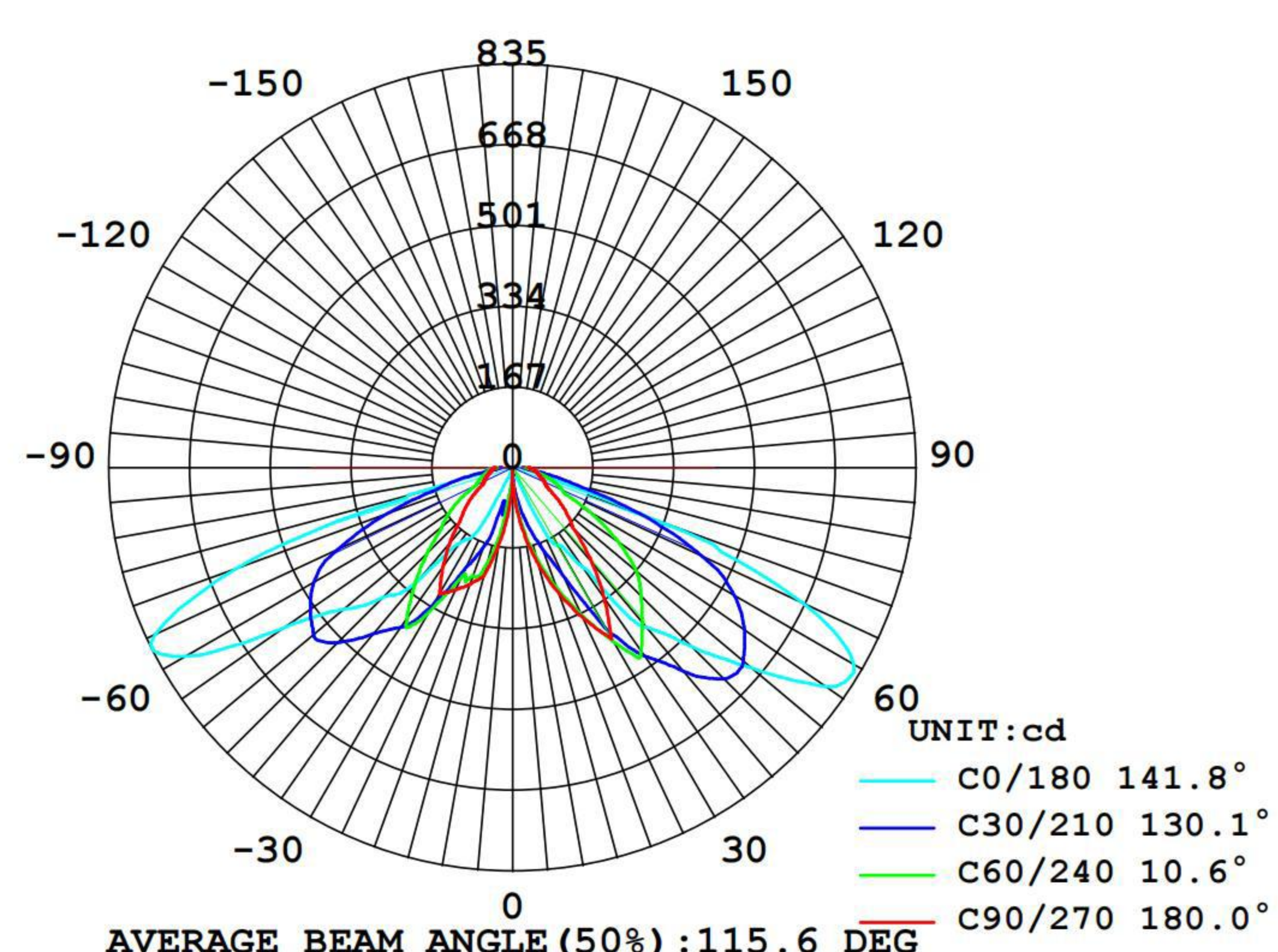
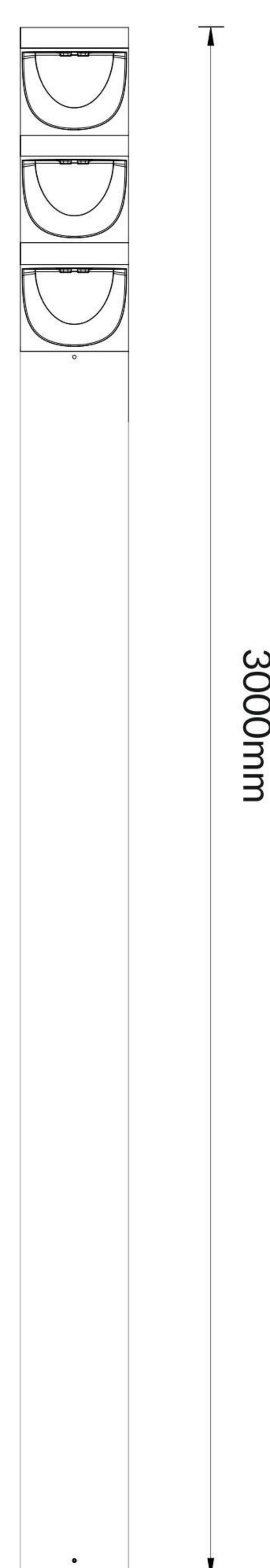
LAUGH

EL-BL-UT-72W

A series of LED light building elements with asymmetrical light distribution.

Light building elements are luminous design features for public areas.

They are ideally suited for delineating and structuring interior and exterior spaces such as landscape areas, plazas, building entrances



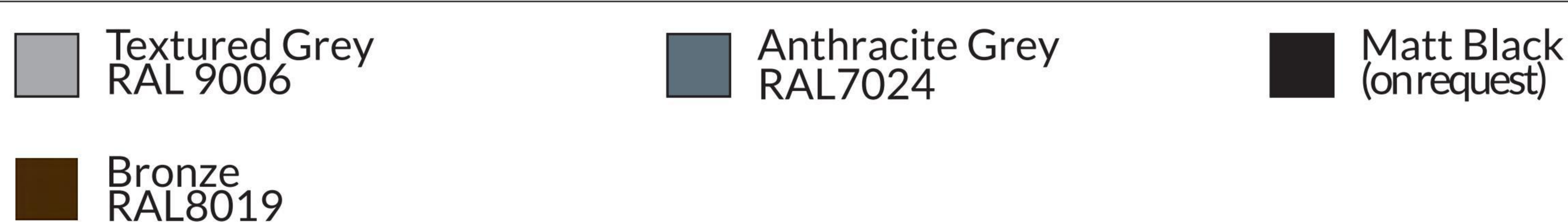
Concrete anchor 1024
 Material: steel
 *Need to be purchased separately

light source*	lumen output (lm)	lumin. efficacy (lm/w)	light beam options
5000K white			
LT-BL-UT-72W	5760.0	80.0	Asymmetric 2*(70x150°)

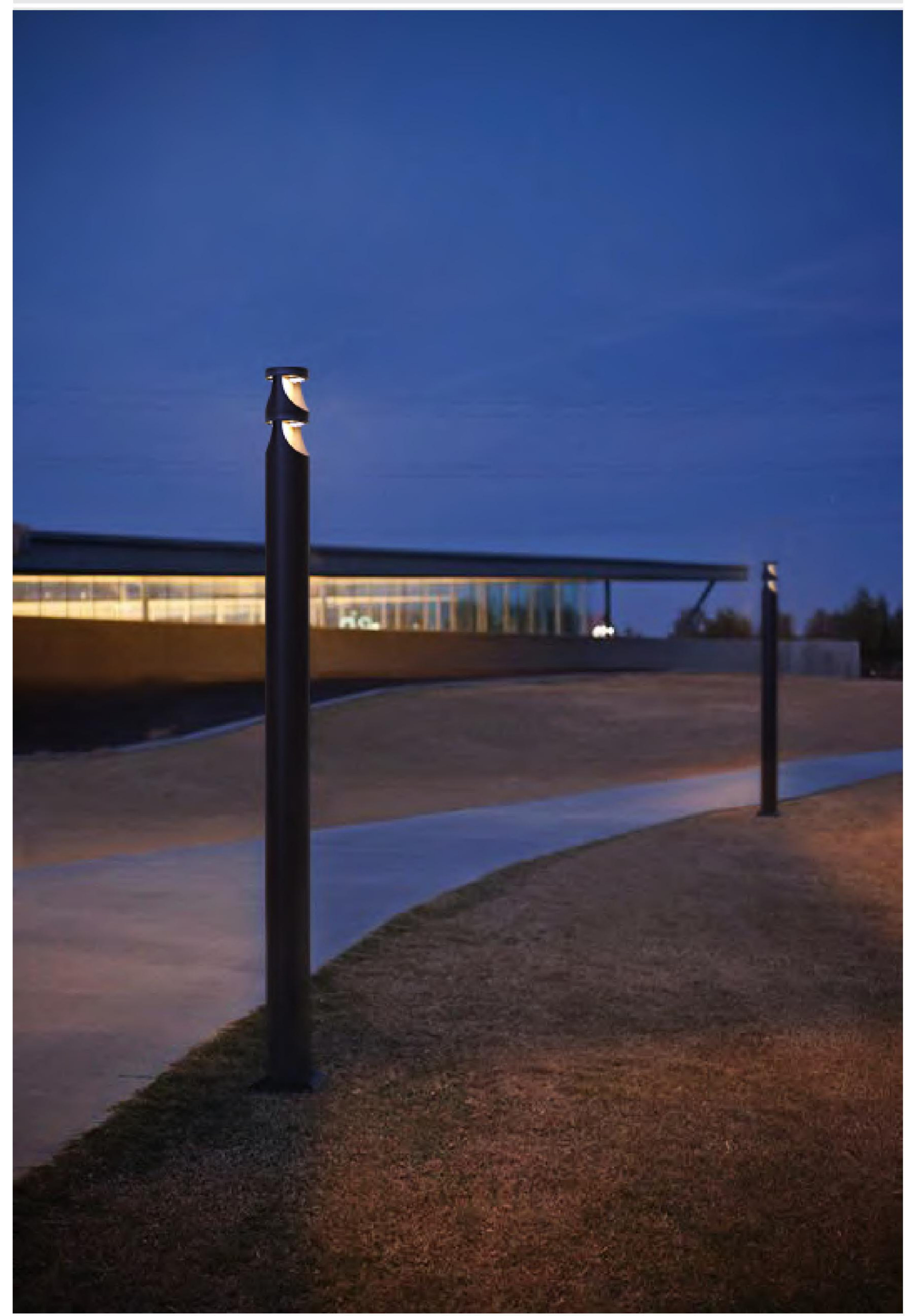
3000/4000K CCT available on request

Unilateral light output

Finish color options :



Customizable in different finishing colors



WALL MOUNTING

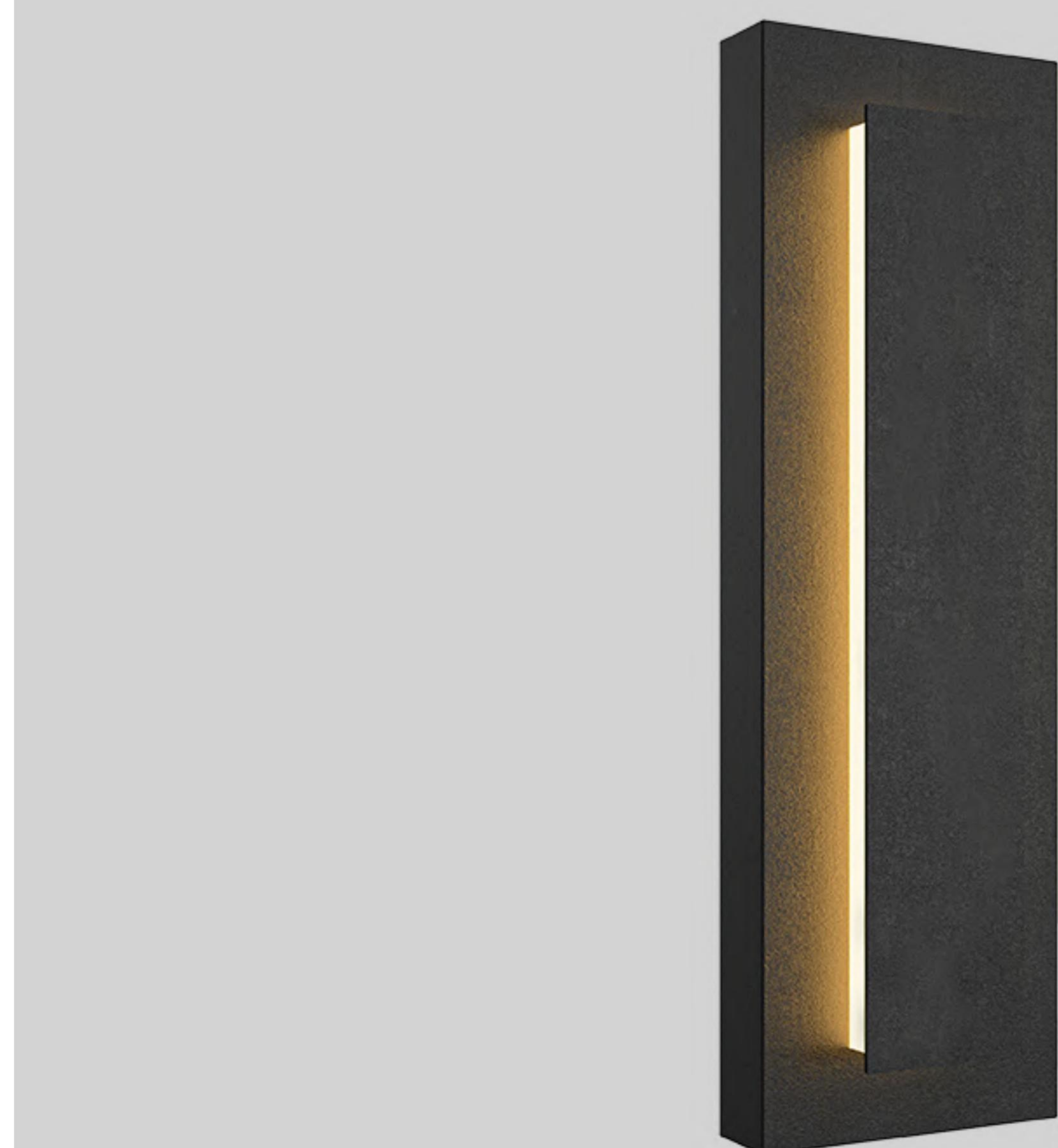


Technical features



Technical data

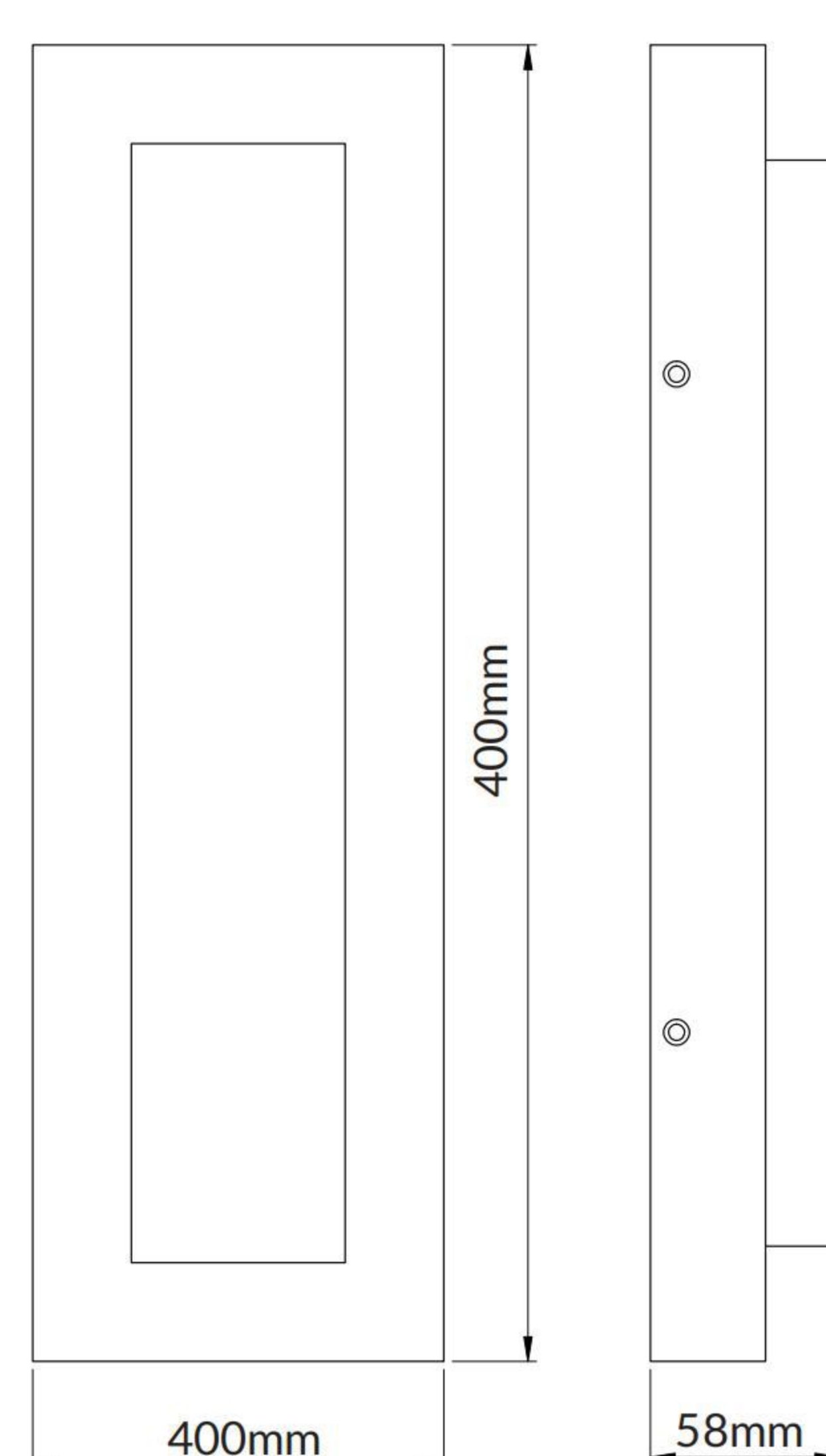
Wattage	5/20/30W
IP Rating	IP65
IK Rating	IK06
Material	High corrosion resistance die-cast copper-free aluminum body +Acrylic
Coating	Polyester powder coating with phosphocromating pre-finish
Light source	High-Brightness LED CRI>80
Standard Deviation Color Matching	:MacAdam step 3
Screws	Stainless steel
Transformer	Electronic power supply 120-277V 50/60Hz built-in
Gasket	Silicone rubber
Glass	Tempered
Power Cables	Internal wiring
Gross weight	1 Kg



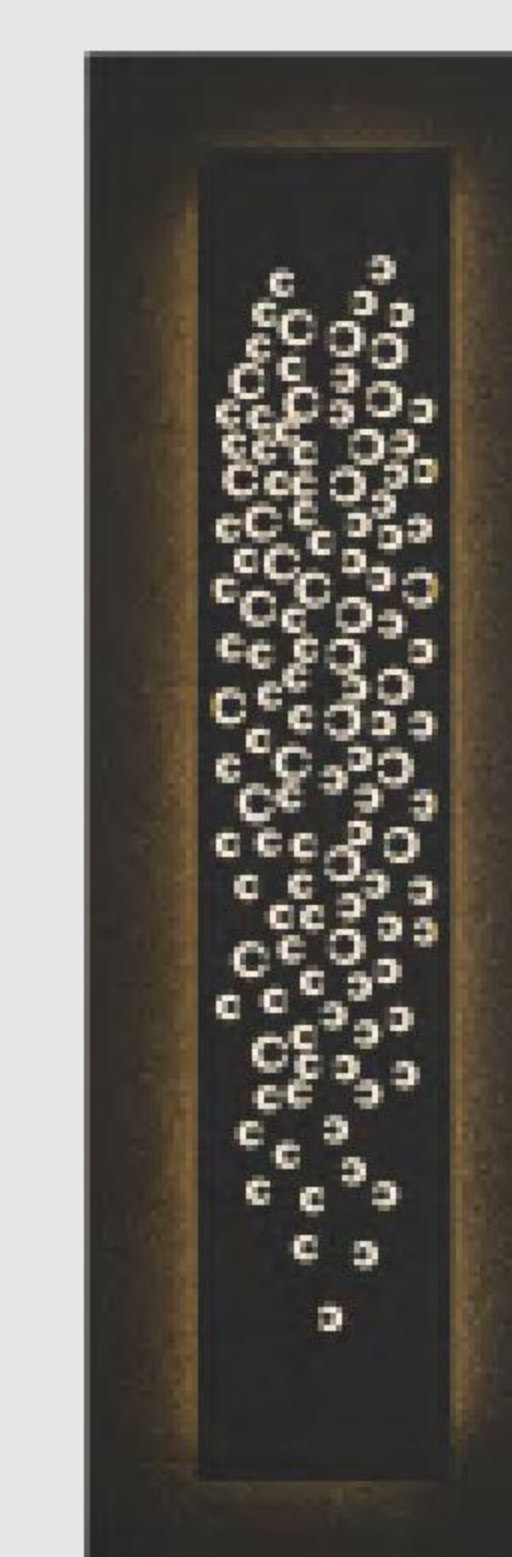
POPLAR

EL-BY

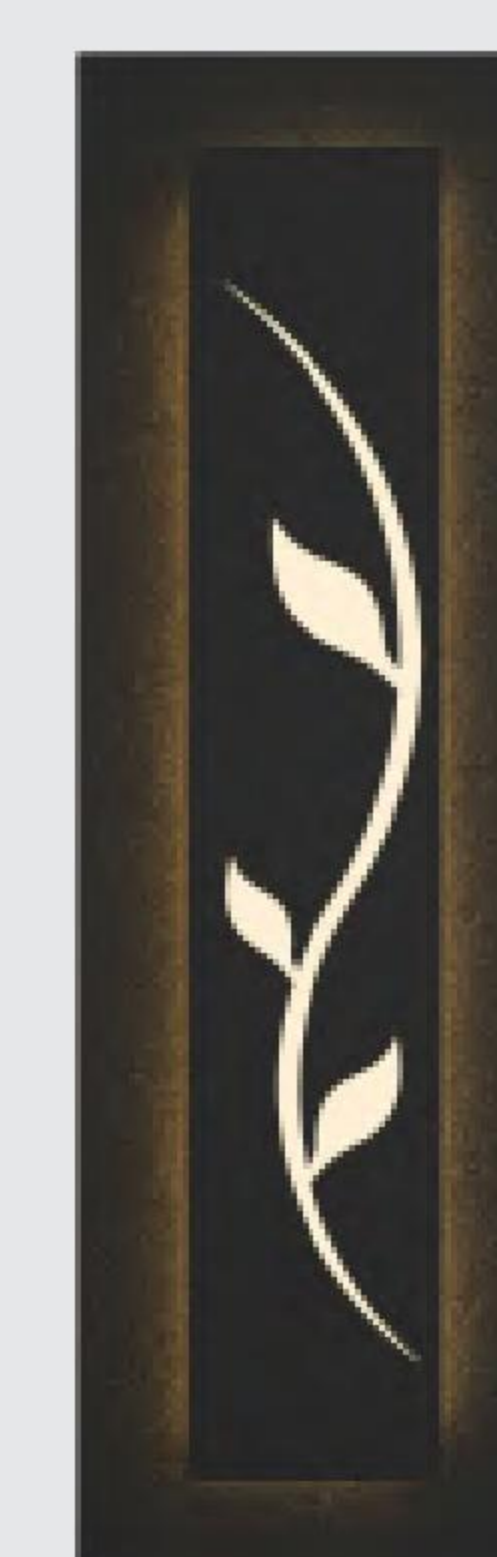
The Poplar outdoor wall sconce creates an elegant elongated column of beautifully diffused light. The Poplar is available in three sizes (20cm,40cm,60cm) to meet architectural scale; ideal for way-finding and general outdoor illumination. The Poplar features energy-efficient, fully dimmable integrated LED lamping(Dimming options). Available in two finishes: Bronze and Oak grain.



Option



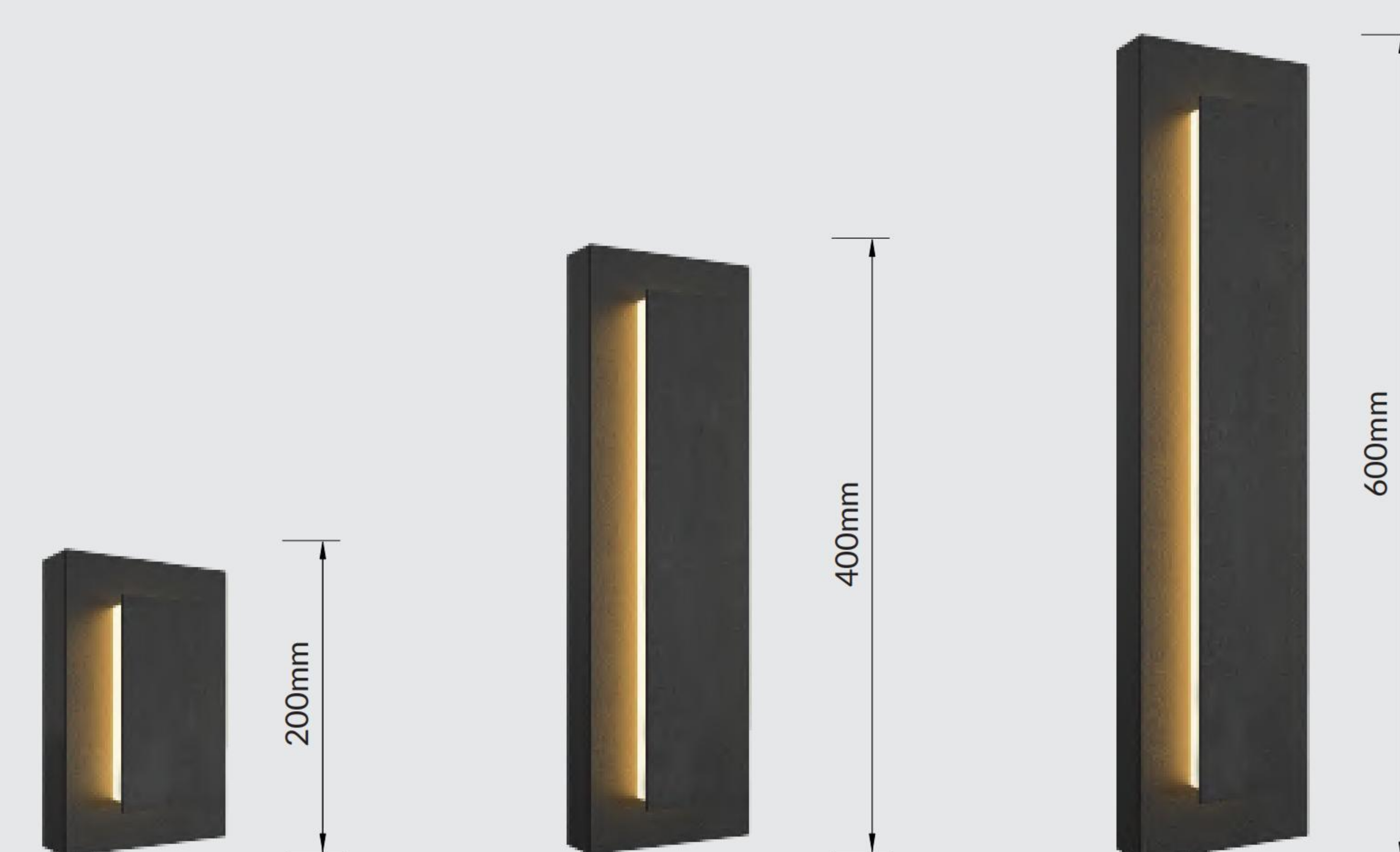
Grape



Willow



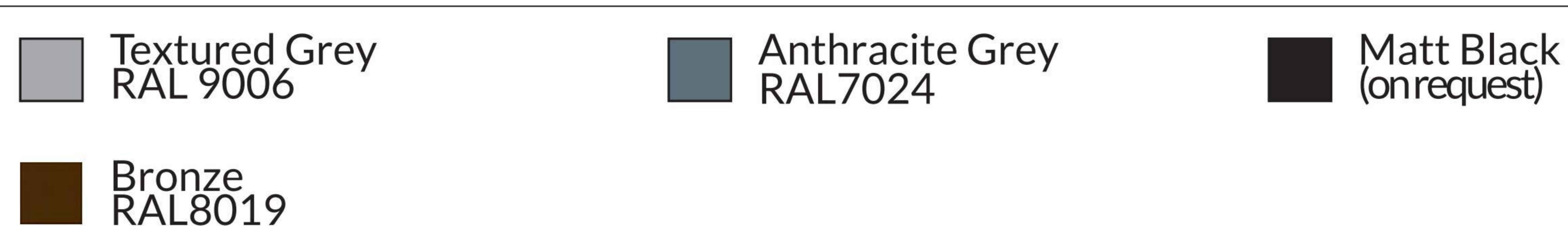
Plum



light source*	lumen output (lm)	lumin. efficacy (lm/w)	light beam options
5000K white			
LT-BY-5W	150.0	30.0	Asymmetric
LT-BY-20W	600.0		
LT-BY-30W	900.0		

3000/4000K CCT available on request

Finish color options :



Customizable in different finishing colors



Technical features



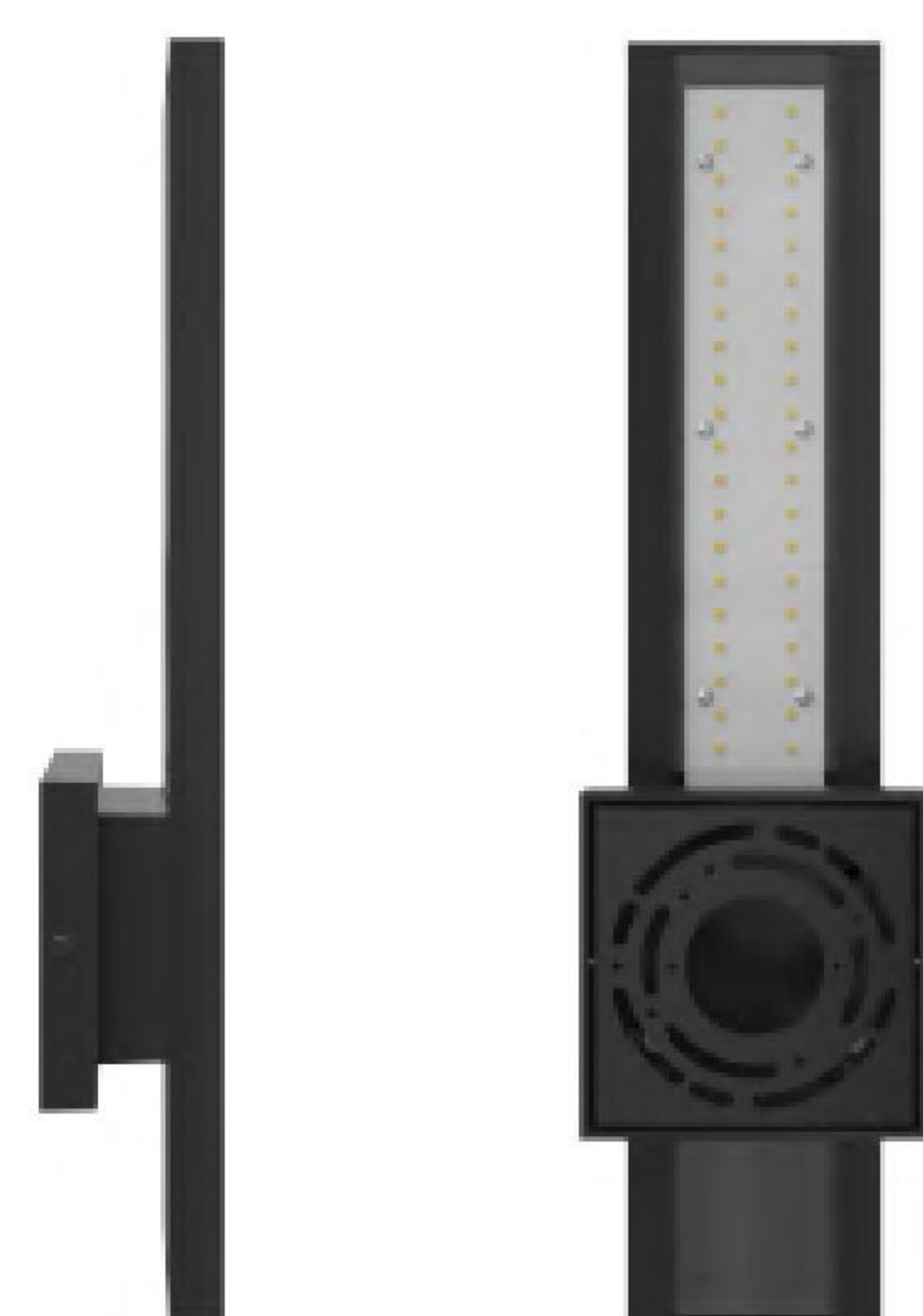
Technical data

Wattage	20W
IP Rating	IP65
IK Rating	IK06
Material	High corrosion resistance die-cast copper-free aluminum body +Aluminum profile
Coating	Polyester powder coating with phosphochromating pre-finish
Light source	High-Brightness LED CRI>80
Standard Deviation Color Matching	:MacAdam step 3
Screws	Stainless steel
Transformer	Electronic power supply 120-277V 50/60Hz built-in
Gasket	Silicone rubber
Glass	Tempered
Power Cables	Internal wiring
Gross weight	1 Kg

BLADE

EL-WW-18

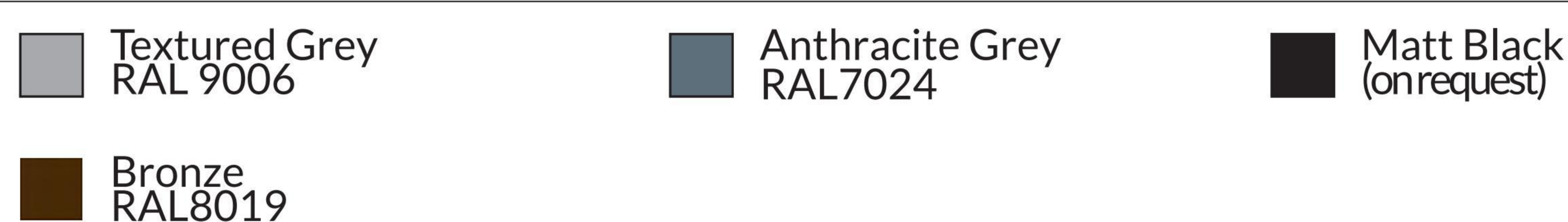
The contemporary aesthetic of the LT-WW-18 outdoor wall sconce creates soft indirect, reduced-glare illumination by aiming light back against the wall for accenting architecture as well as for wayfinding.



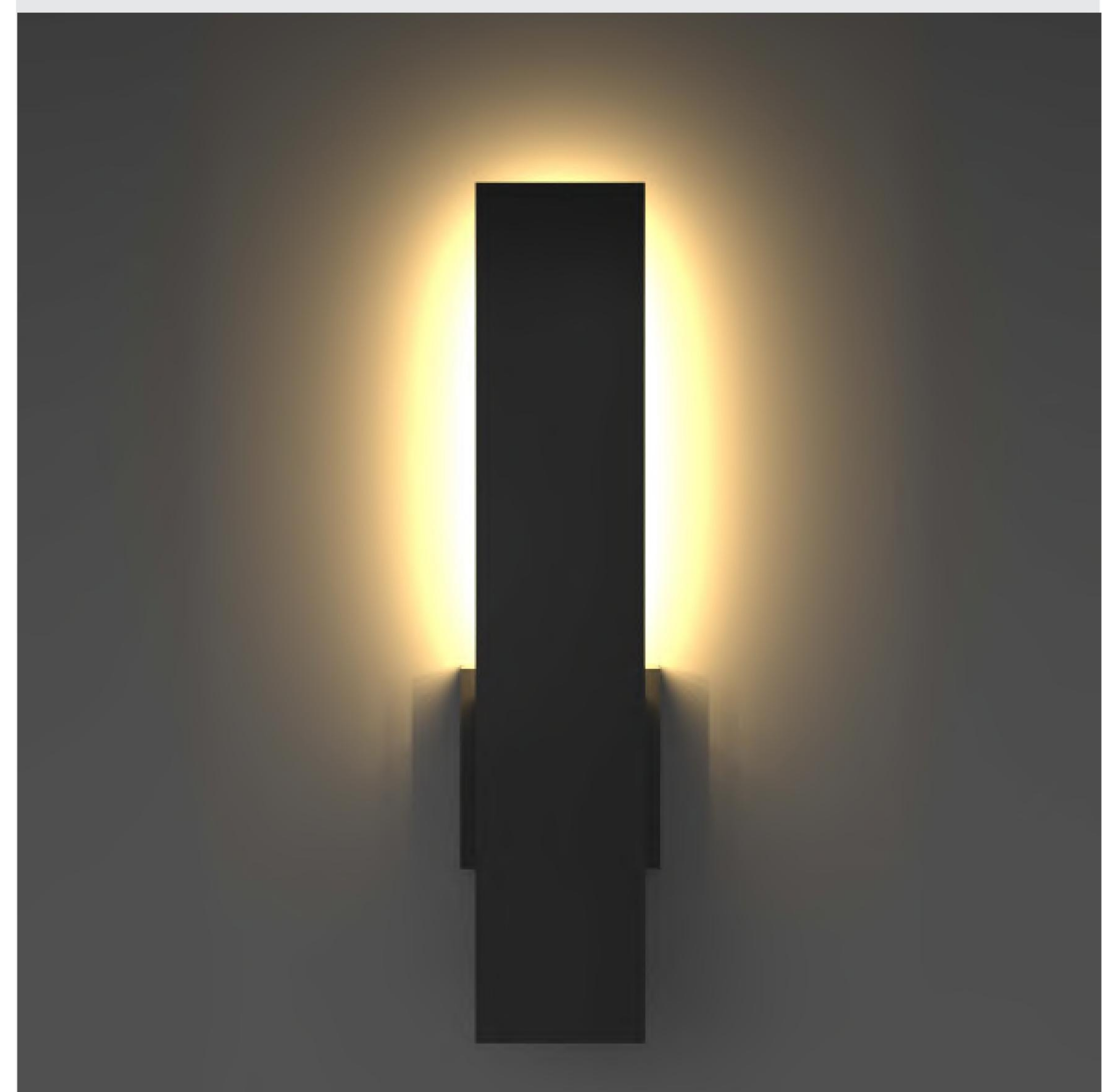
light source*	lumen output (lm)	lumin. efficacy (lm/w)	light beam options
5000K white			
LT-WW-18-20W	1200.0	60.0	Asymmetric

3000/4000K CCT available on request

Finish color options :



Customizable in different finishing colors



Technical features



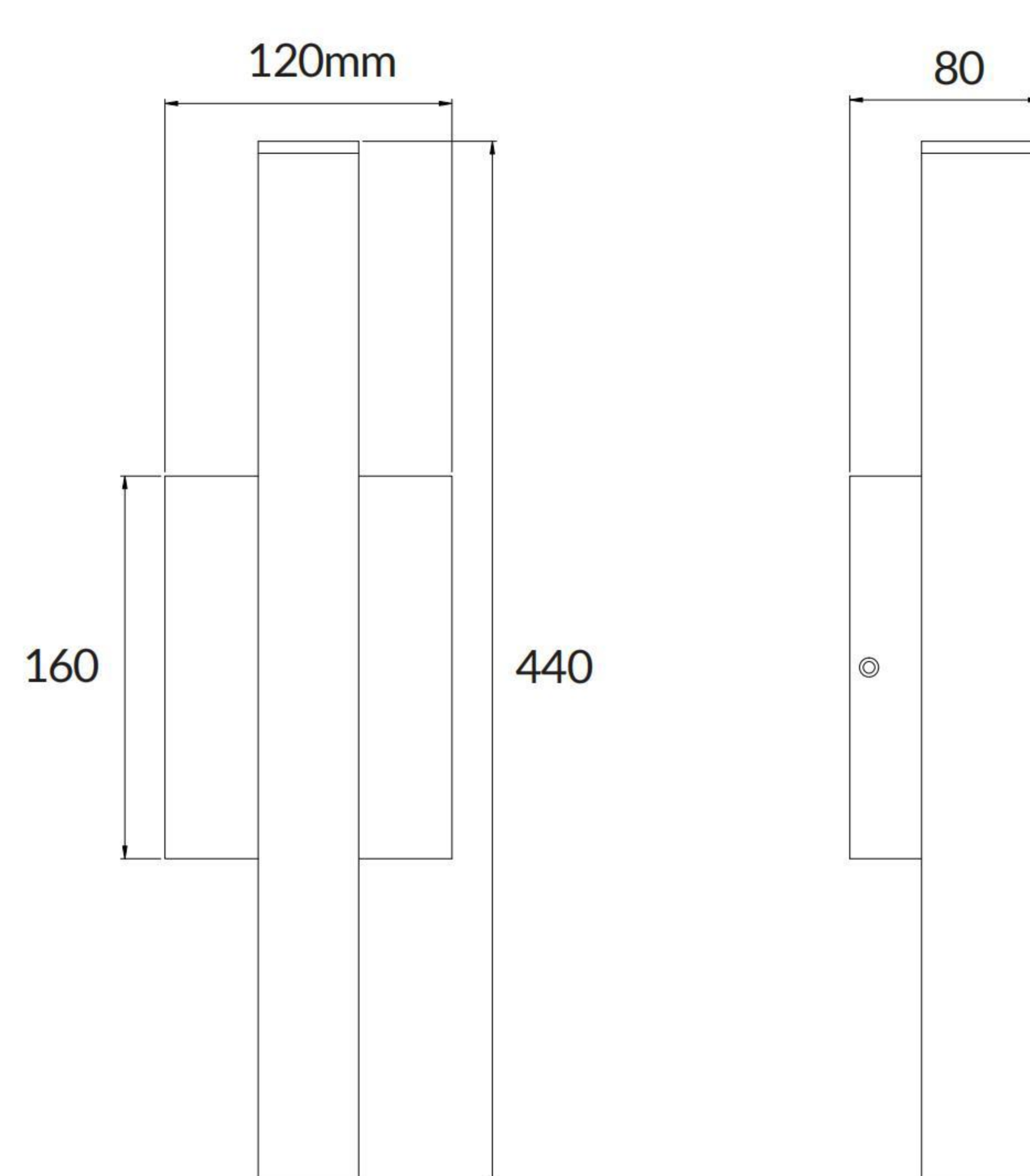
Technical data

Wattage	12W
IP Rating	IP65
IK Rating	IK06
Material	High corrosion resistance die-cast copper-free aluminum body +Aluminum profile
Coating	Polyester powder coating with phosphochromating pre-finish
Light source	High-Brightness LED CRI>80
Standard Deviation Color Matching	:MacAdam step 3
Screws	Stainless steel
Transformer	Electronic power supply 220-240V or 120-277V 50/60Hz built-in
Gasket	Silicone rubber
Glass	Tempered
Power Cables	Internal wiring
Gross weight	1 Kg

BLADE

EL-CL

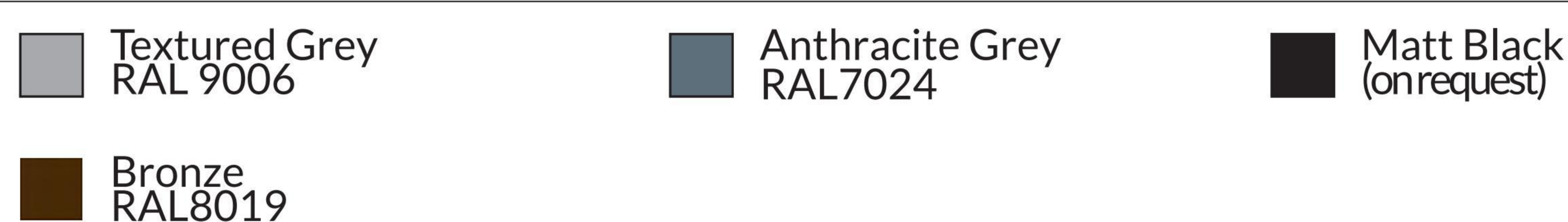
Strikingly elegant in its simplicity, LT-CL is a tubular design that creates a modern industrial look. Designed with a die-cast aluminum structure, powder coat finish, and stainless steel hardware for robust durability in harsh elements. Appropriate for commercial use. Available as Square or Round in three sizes.



light source*	lumen output (lm)	lumin. efficacy (lm/w)	light beam options
5000K white			
LT-CL-12W	1286.0	100.0	15° 24° 36°

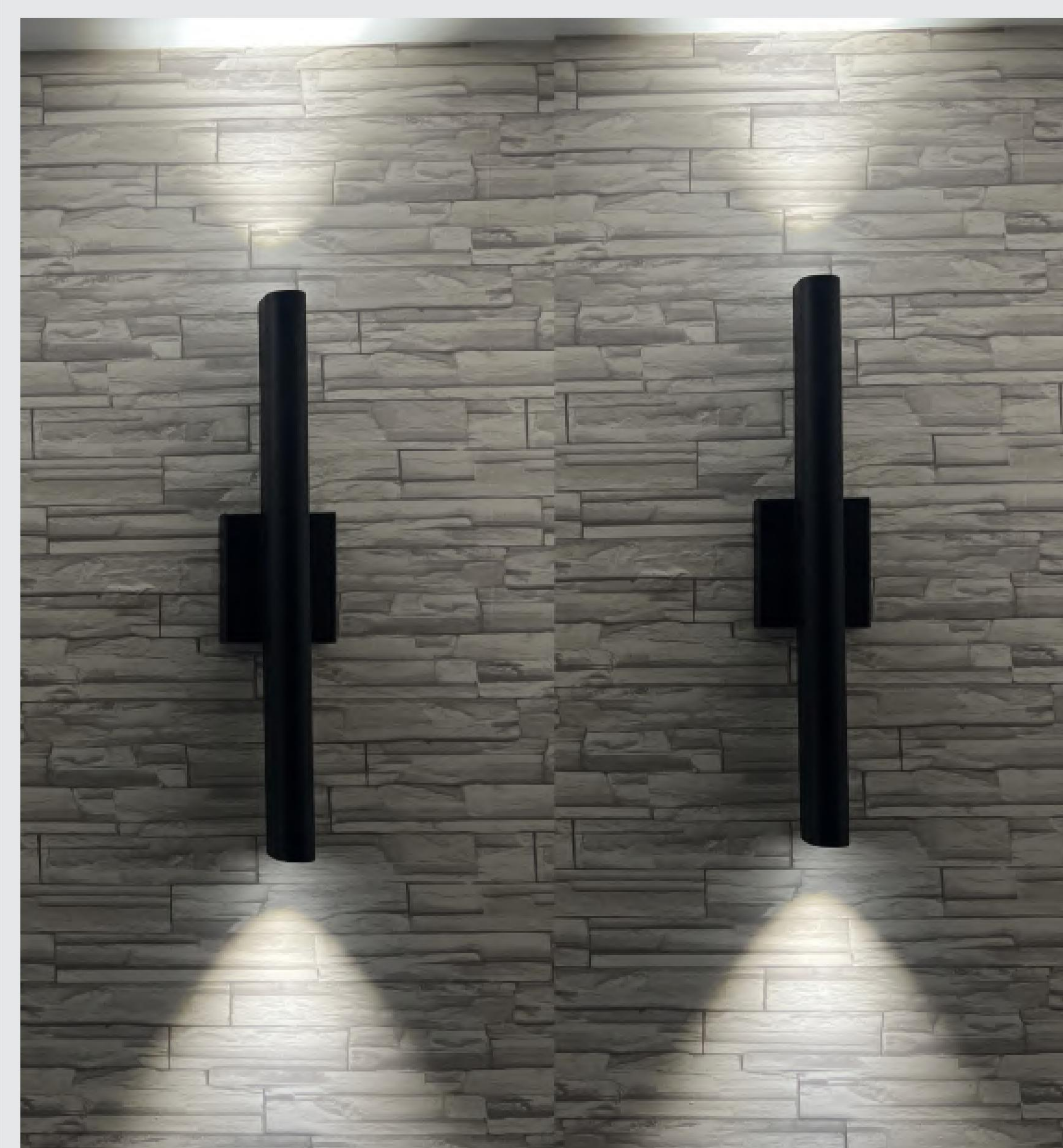
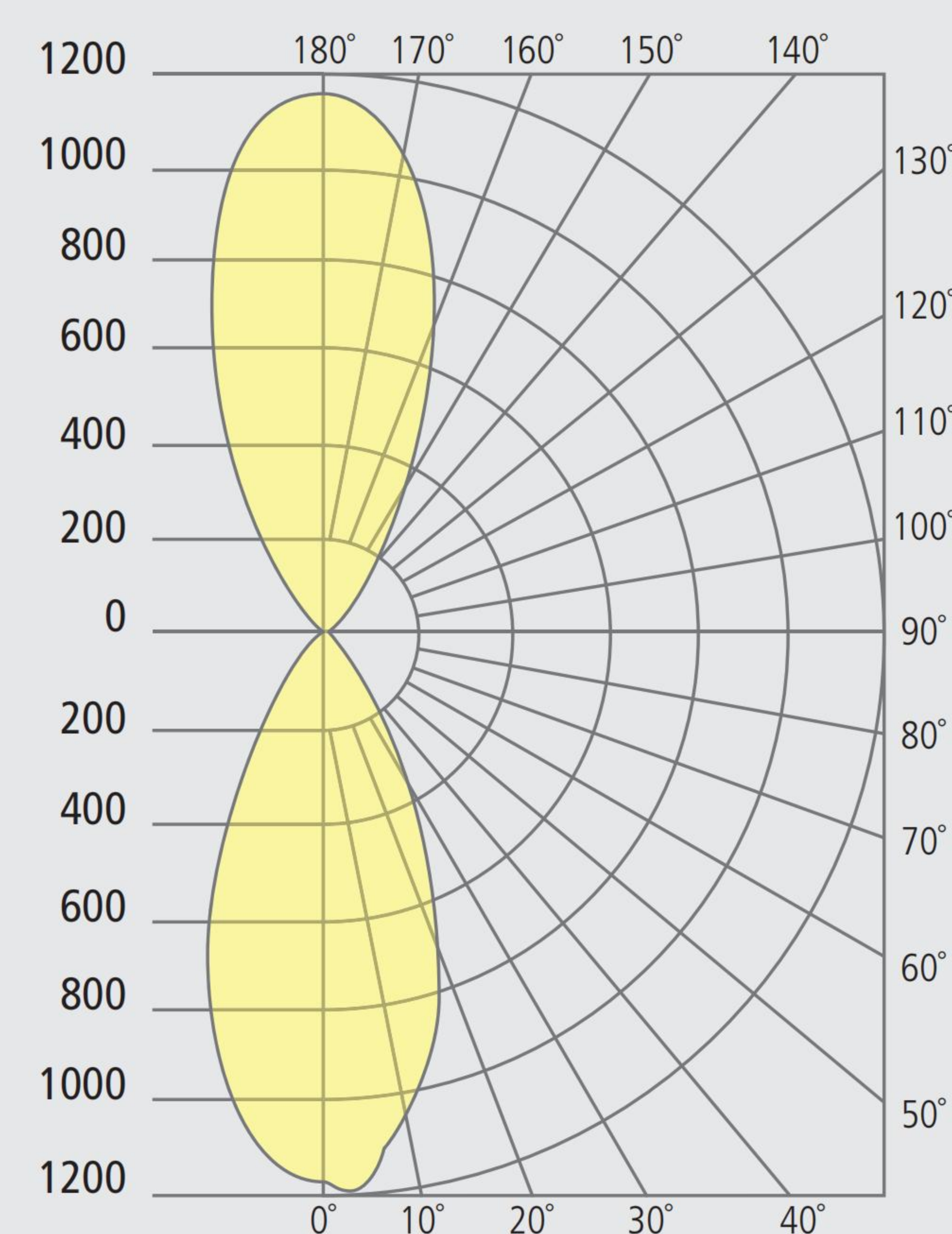
3000/4000K CCT available on request

Finish color options :



Customizable in different finishing colors

Total Lumen Output: 1286
 Total Power: 11.8
 Luminaire Efficacy: 109
 Color Temp: 3000K
 CRI: 80+
 BUG Rating:



Technical features



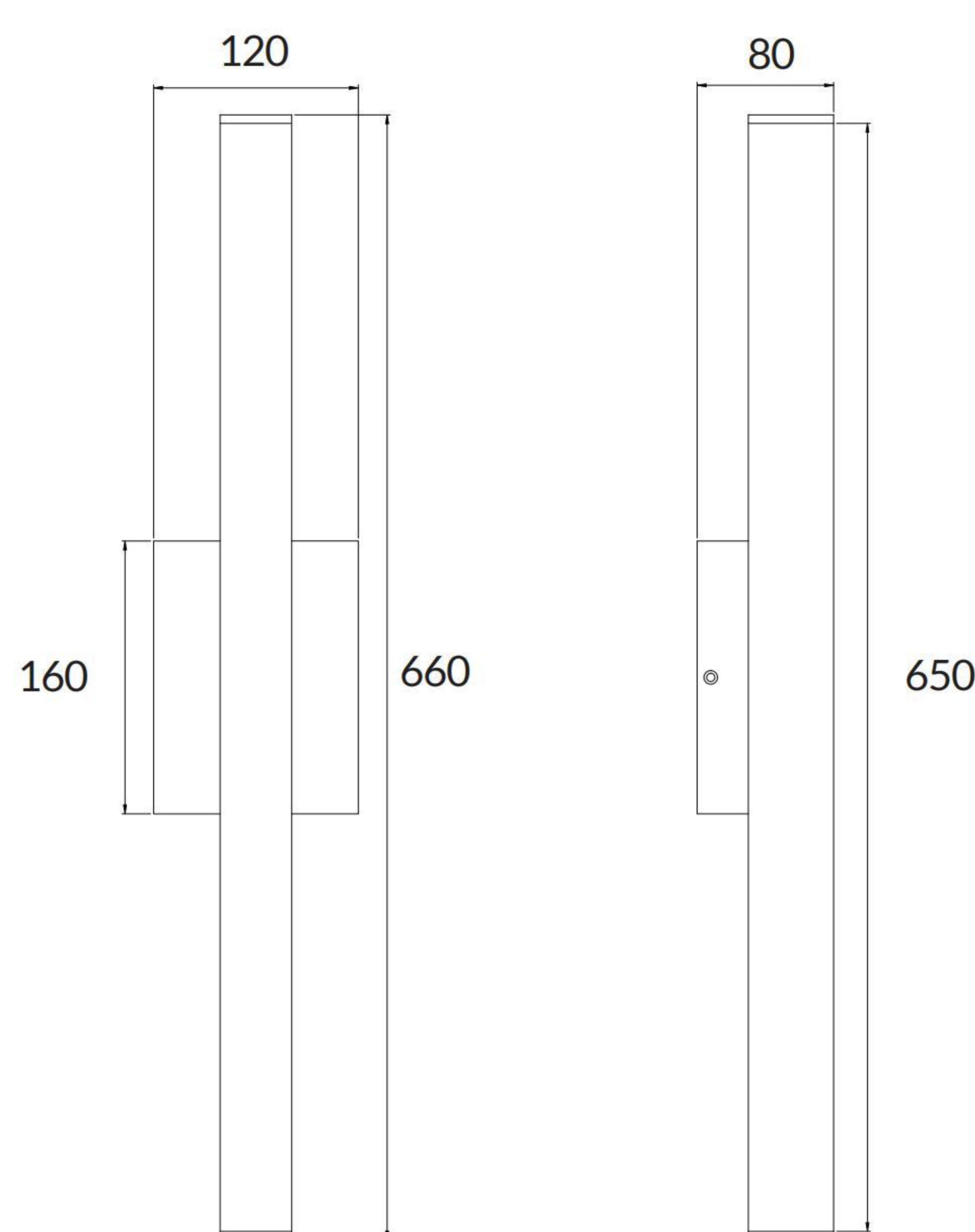
Technical data

Wattage	12W
IP Rating	IP65
IK Rating	IK06
Material	High corrosion resistance die-cast copper-free aluminum body +Aluminum profile
Coating	Polyester powder coating with phosphochromating pre-finish
Light source	High-Brightness LED CRI>80
Standard Deviation Color Matching	:MacAdam step 3
Screws	Stainless steel
Transformer	Electronic power supply 220-240V or 120-277V 50/60Hz built-in
Gasket	Silicone rubber
Glass	Tempered
Power Cables	Internal wiring
Gross weight	1 Kg

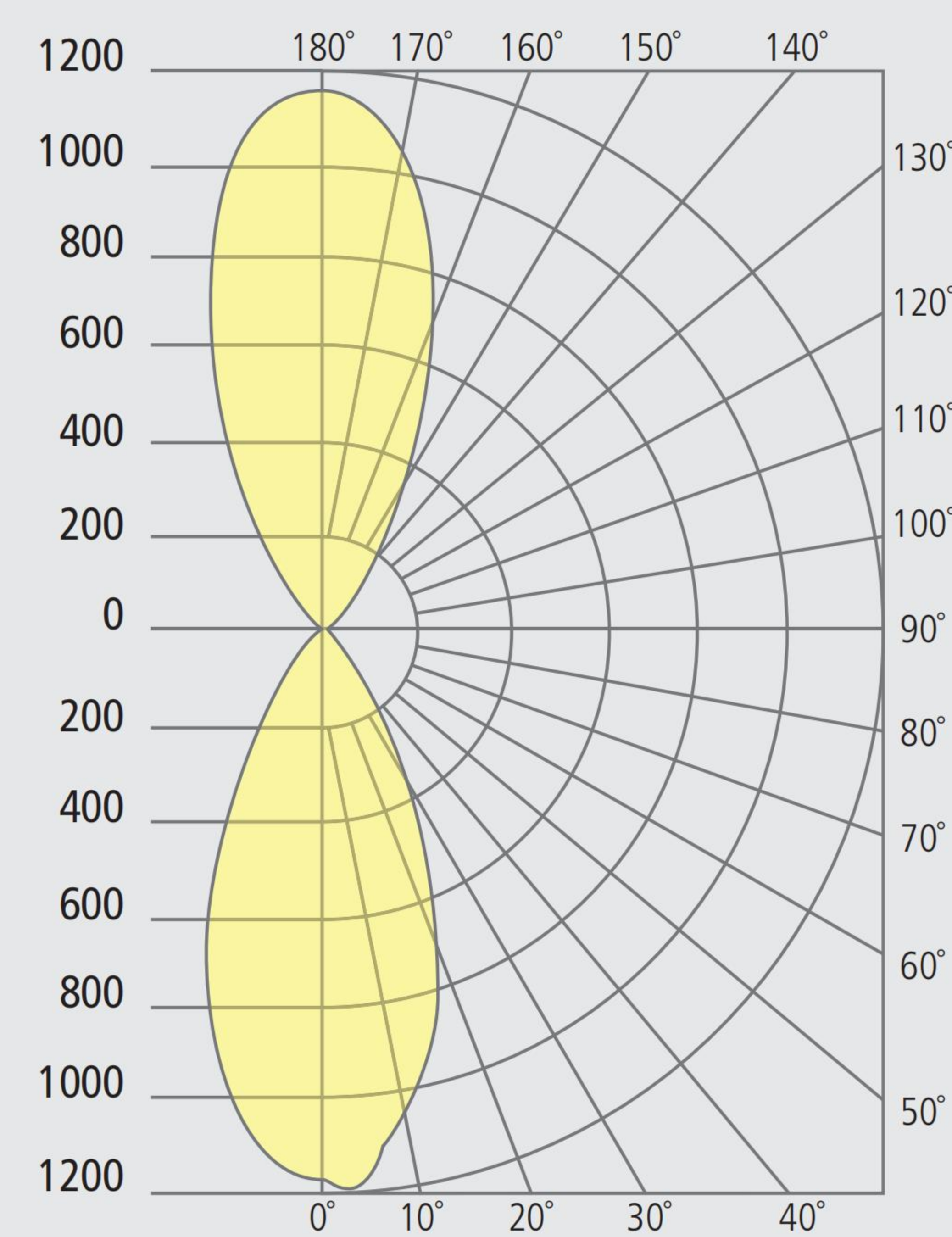
BLADE

EL-CL

Strikingly elegant in its simplicity, LT-CL is a tubular design that creates a modern industrial look. Designed with a die-cast aluminum structure, powder coat finish, and stainless steel hardware for robust durability in harsh elements. Appropriate for commercial use. Available as Square or Round in three sizes.



Total Lumen Output:	1286
Total Power:	11.8
Luminaire Efficacy:	109
Color Temp:	3000K
CRI:	80+
BUG Rating:	B1-U4-G0



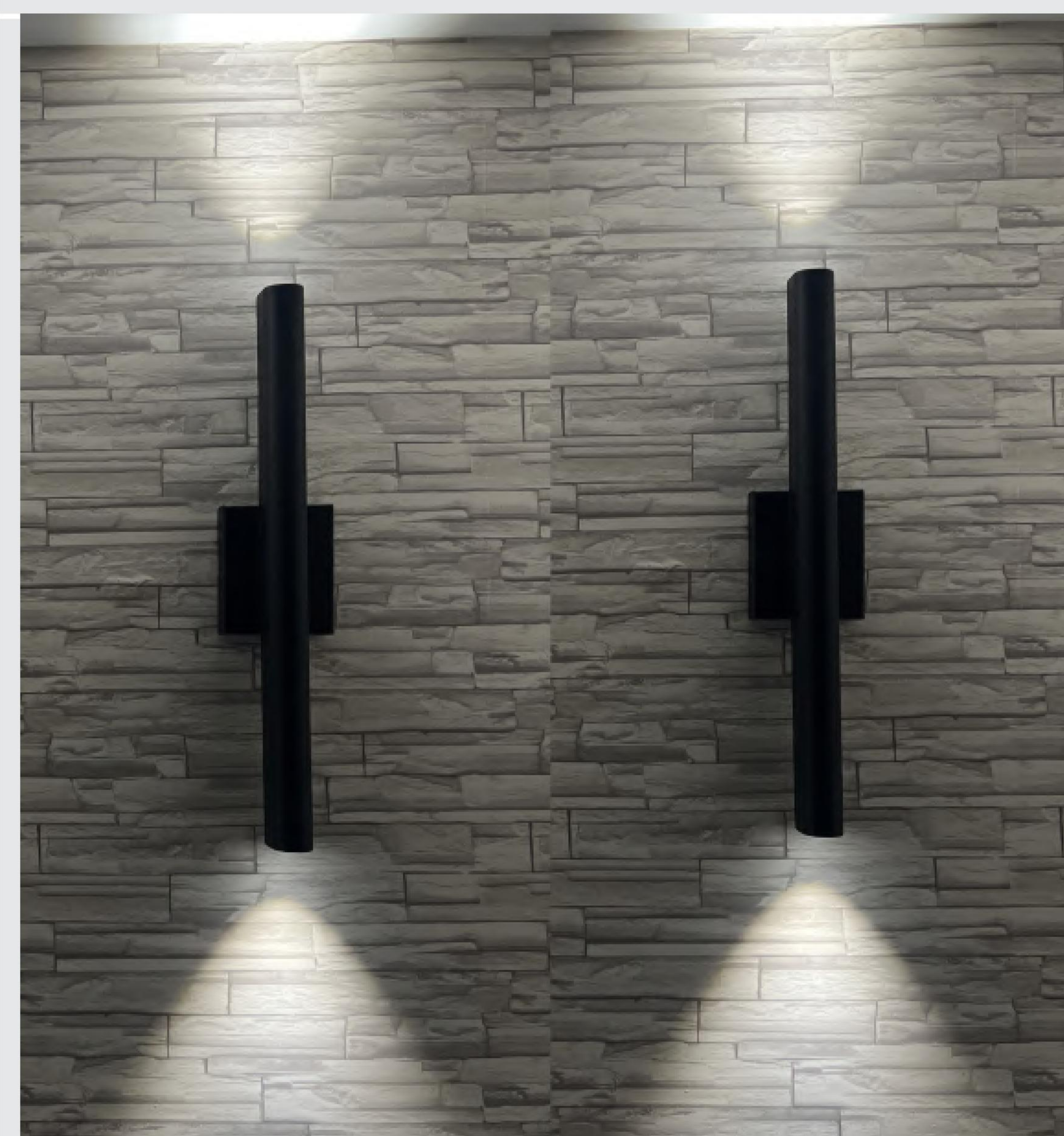
light source*	lumen output (lm)	lumin. efficacy (lm/w)	light beam options
5000K white			
LT-CL-12W	1286.0	100.0	15° 24° 36°

3000/4000K CCT available on request

Finish color options :



Customizable in different finishing colors



Technical features



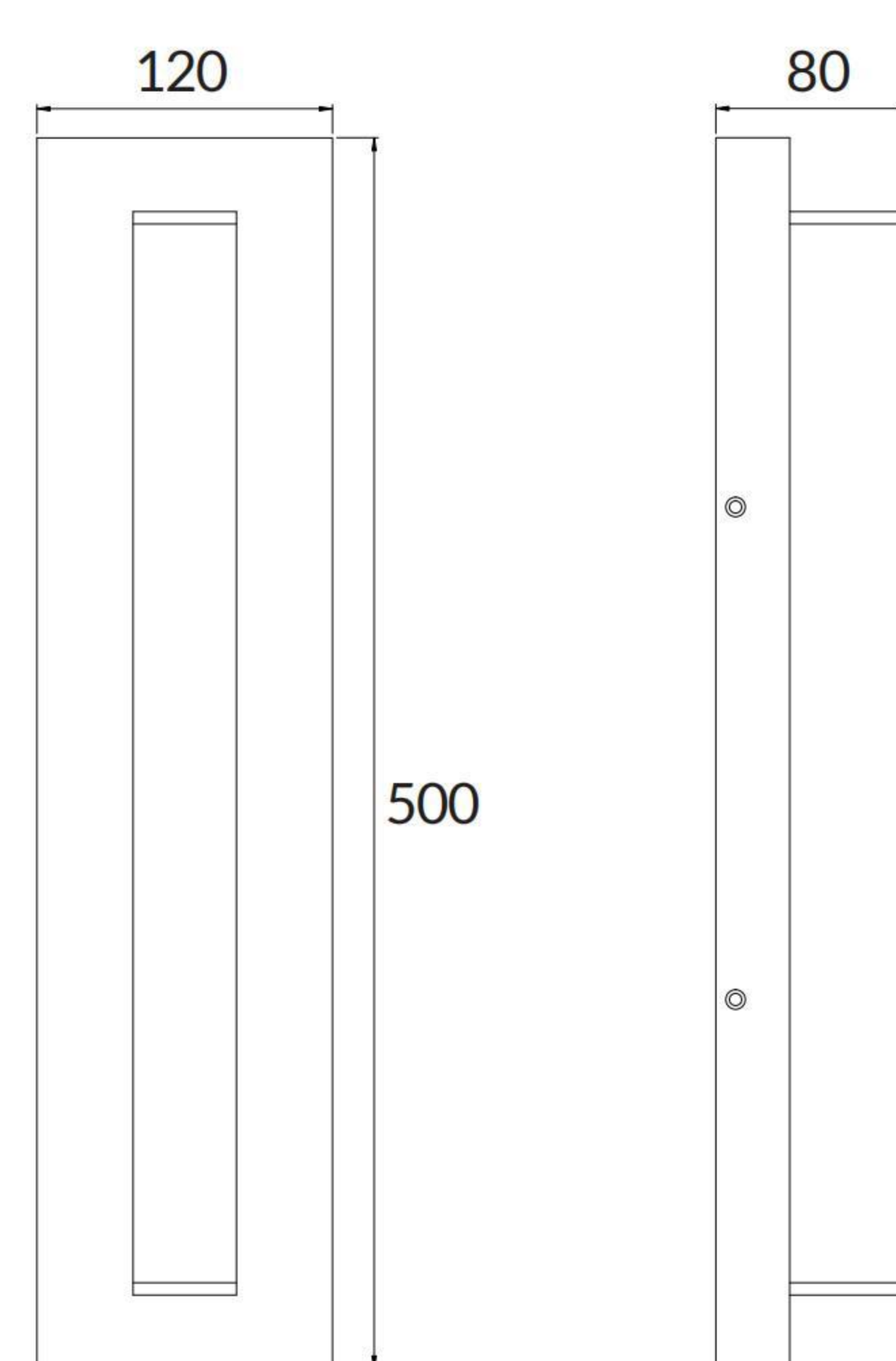
Technical data

Wattage	12W
IP Rating	IP65
IK Rating	IK06
Material	High corrosion resistance die-cast copper-free aluminum body +Aluminum profile
Coating	Polyester powder coating with phosphochromating pre-finish
Light source	High-Brightness LED CRI>80
Standard Deviation Color Matching	:MacAdam step 3
Screws	Stainless steel
Transformer	Electronic power supply 220-240V or 120-277V 50/60Hz built-in
Gasket	Silicone rubber
Glass	Tempered
Power Cables	Internal wiring
Gross weight	1 Kg

BLADE

EL-WL

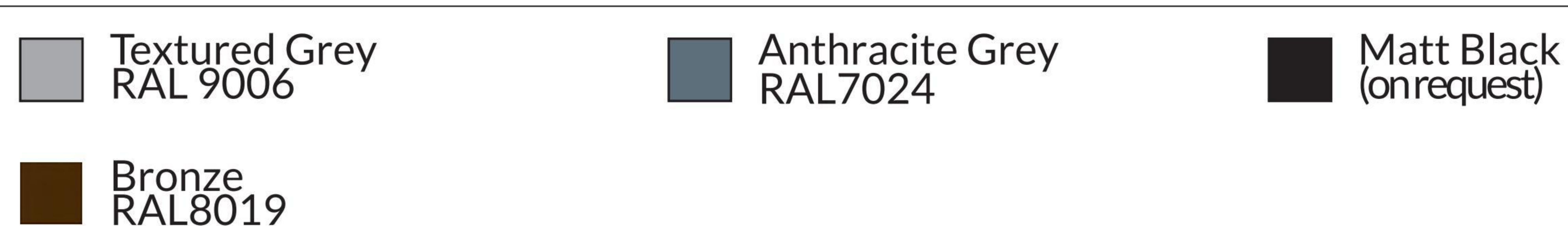
Strikingly elegant in its simplicity, LT-CL is a tubular design that creates a modern industrial look. Designed with a die-cast aluminum structure, powder coat finish, and stainless steel hardware for robust durability in harsh elements. Appropriate for commercial use. Available as Square or Round in three sizes.



light source*	lumen output (lm)	lumin. efficacy (lm/w)	light beam options
5000K white			
LT-WL-12W	1286.0	100.0	15° 24° 36°

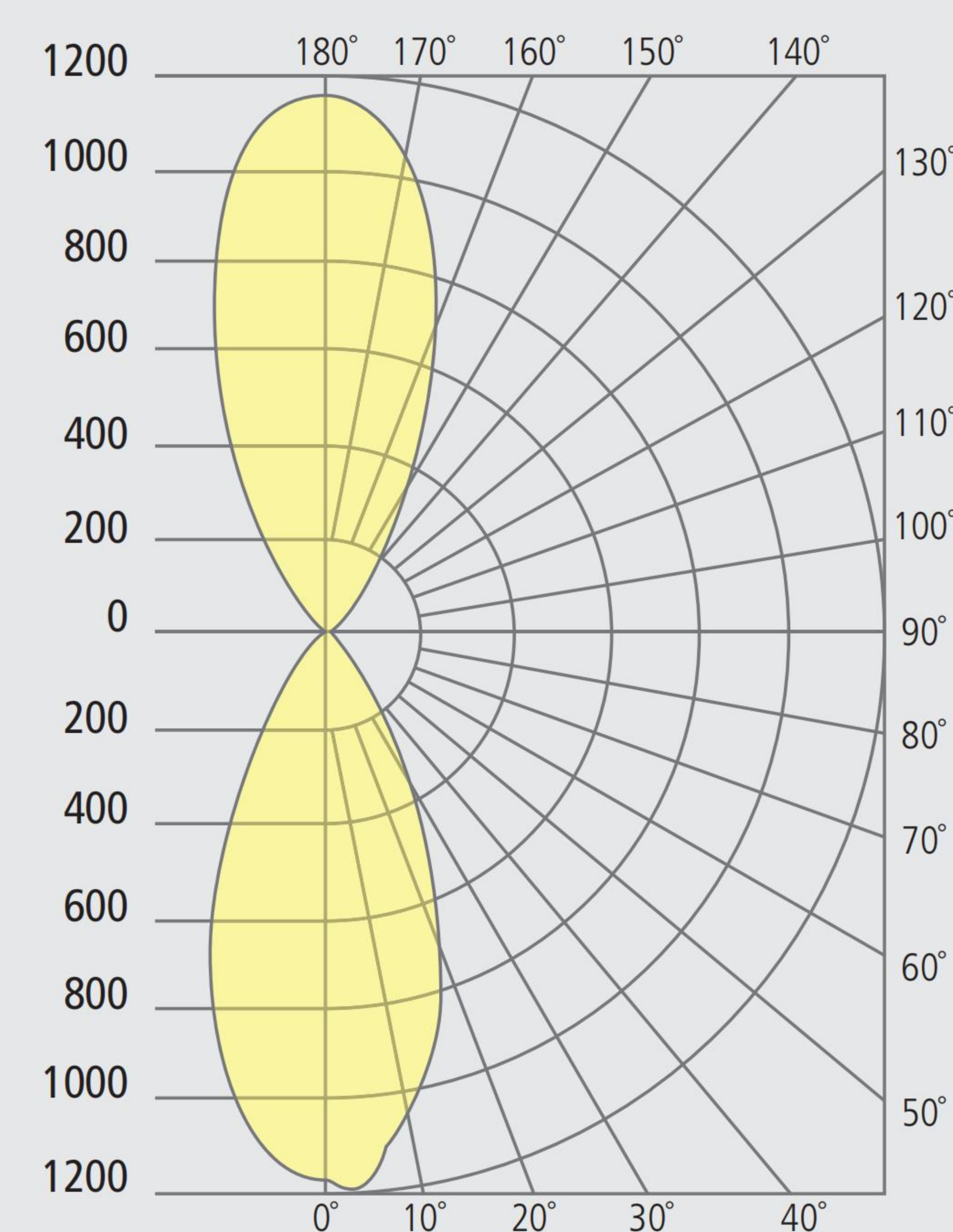
3000/4000K CCT available on request

Finish color options :

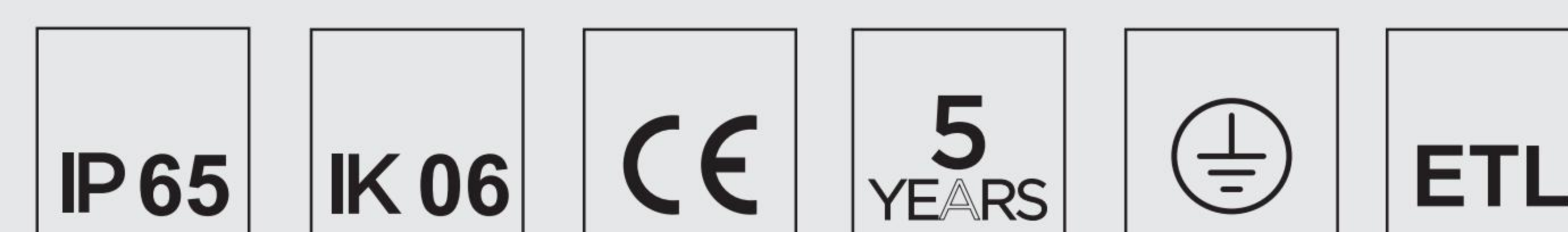


Customizable in different finishing colors

Total Lumen Output:	1286
Total Power:	11.8
Luminaire Efficacy:	109
Color Temp:	3000K
CRI:	80+
BUG Rating:	B1-U4-G0



Technical features



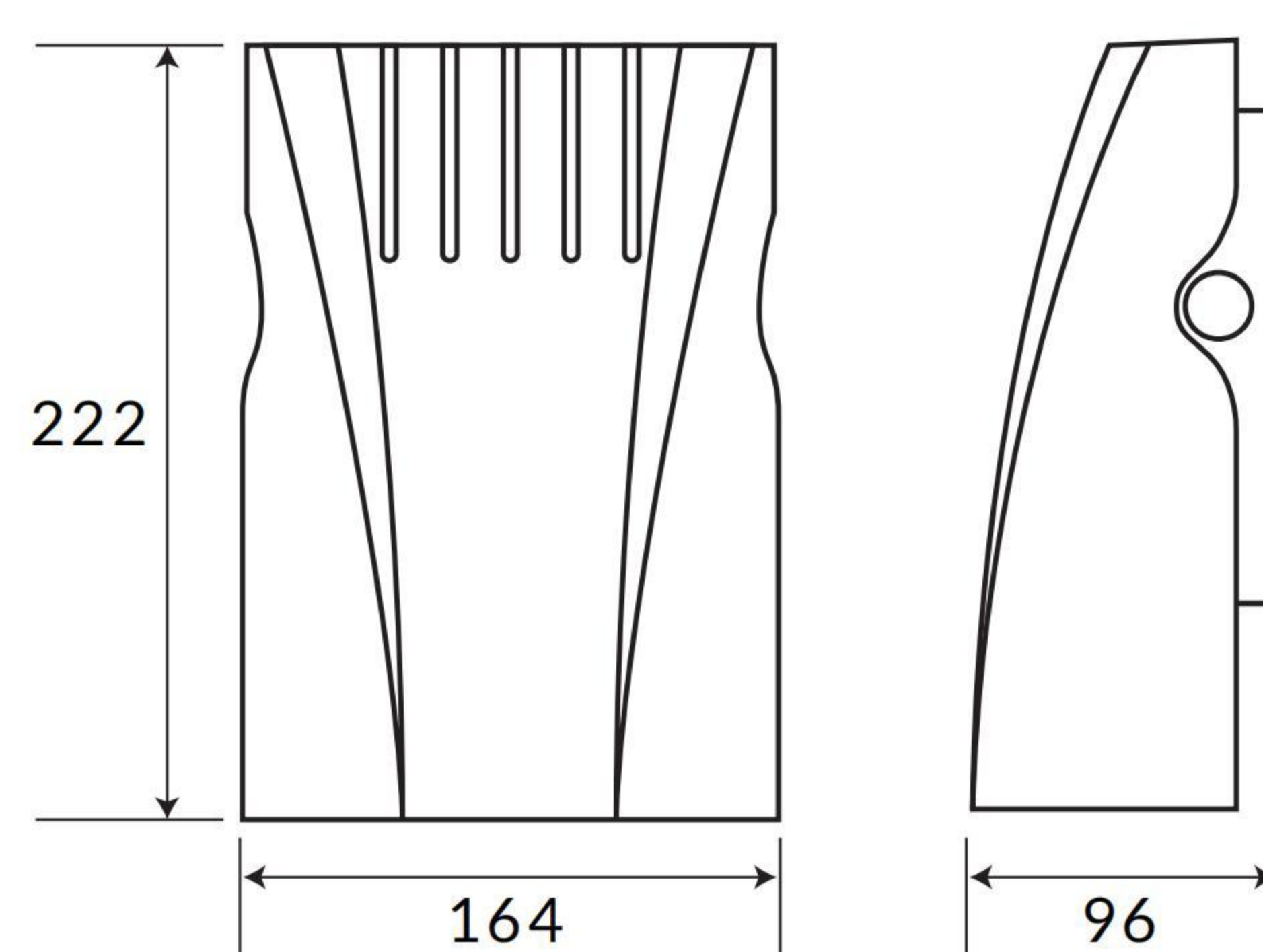
Technical data

Wattage	15/20/25W
IP Rating	IP65
IK Rating	IK06
Material	High corrosion resistance die-cast copper-free aluminum body
Coating	Polyester powder coating with phosphochromating pre-finish
Light source	1xCOB CRI>80
Standard Deviation Color Matching	:MacAdam step 3
Screws	Stainless steel
Transformer	Electronic power supply 120-277V 50/60Hz built-in
Gasket	Silicone rubber
Glass	Reflective cup
Power Cables	Internal wiring
Gross weight	1.2 Kg

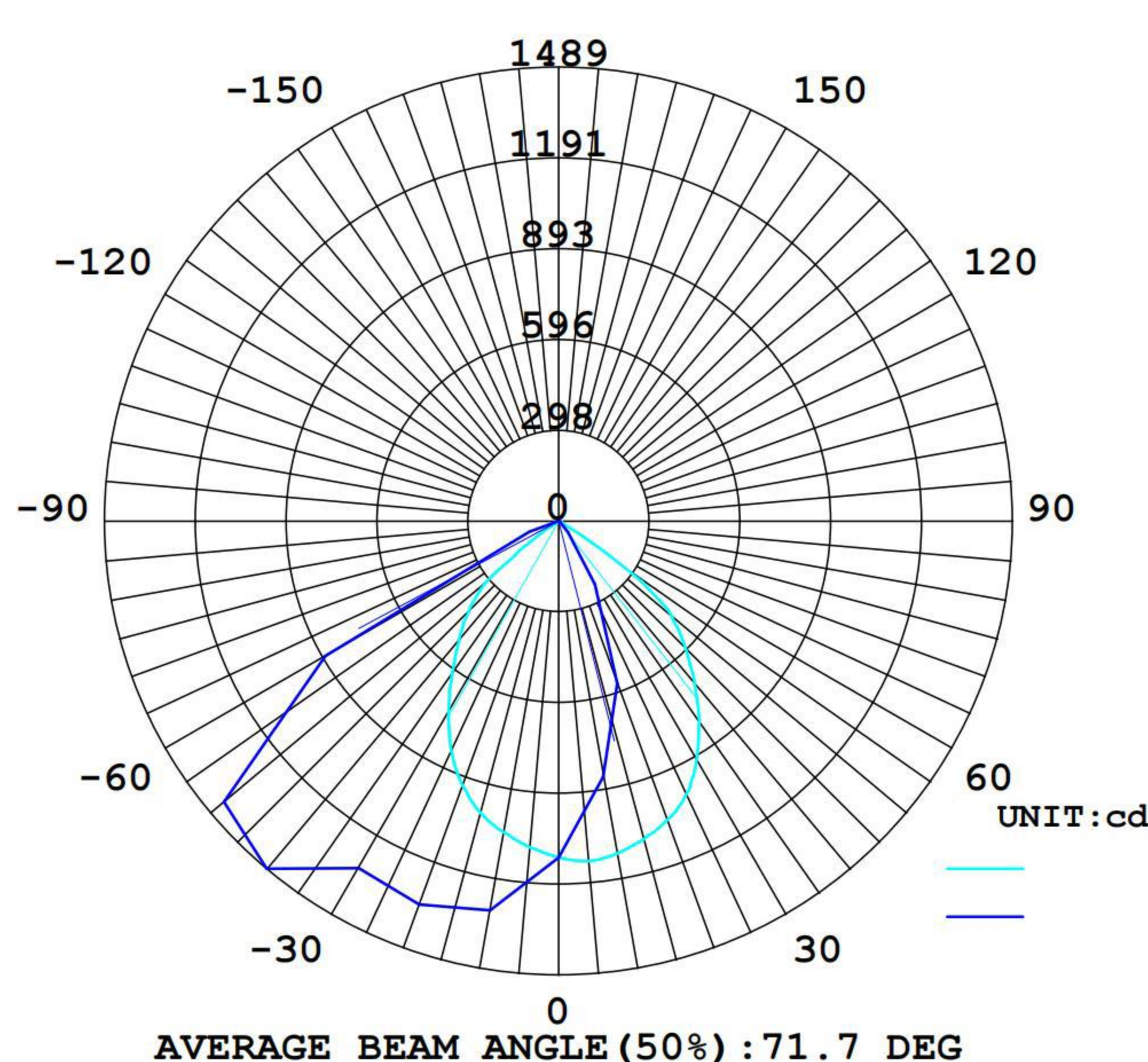


EL-XT-06

Heavy duty die-cast aluminum housing and door. The door frame is fully gasketed to keep out moisture and dust for the luminaire. Specular thermoplastic reflector and clear glass lens. Integral secondary heat sink to optimize thermal transfer and maximize performance and life of LED. Driver is mounted in direct contact with the casting for a low operating temperature and long life.



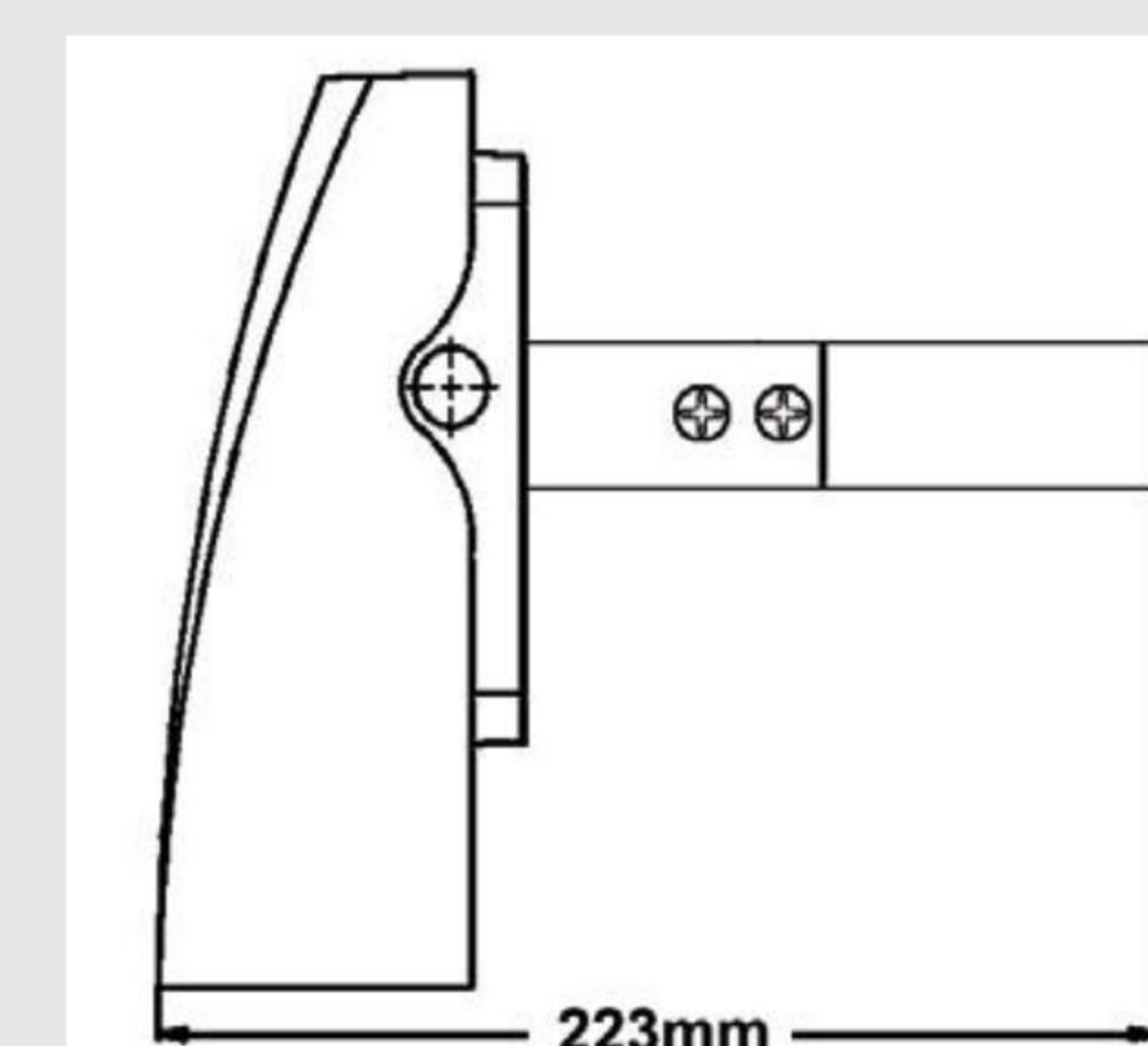
INTENSITY DISTRIBUTION DIAGRAM IN C PLANS



Option



Extra swivel photocell sensor available

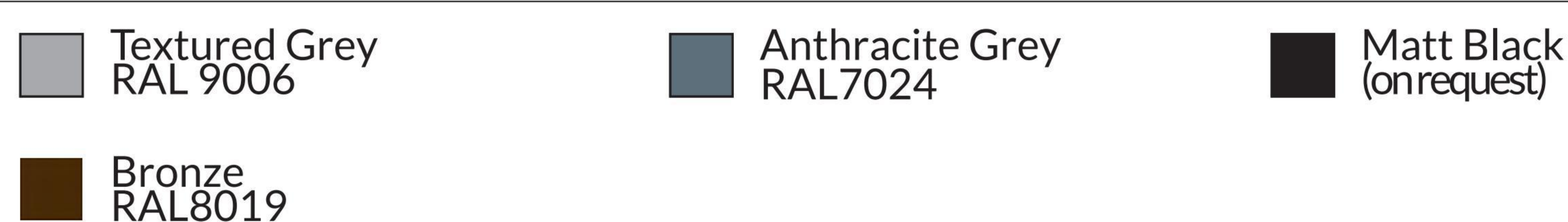


Stainless steel U-shaped bracket

light source*	lumen output (lm)	lumin. efficacy (lm/w)	light beam options
5000K white			
LT-XT-06-15W	1500.0	100.0	Asymmetric
LT-XT-06-20W	2000.0		
LT-XT-06-25W	2500.0		

3000/4000K CCT available on request

Finish color options :



Customizable in different finishing colors



RECESSED
FOR OUTDOOR APPLICATIONS



Technical features

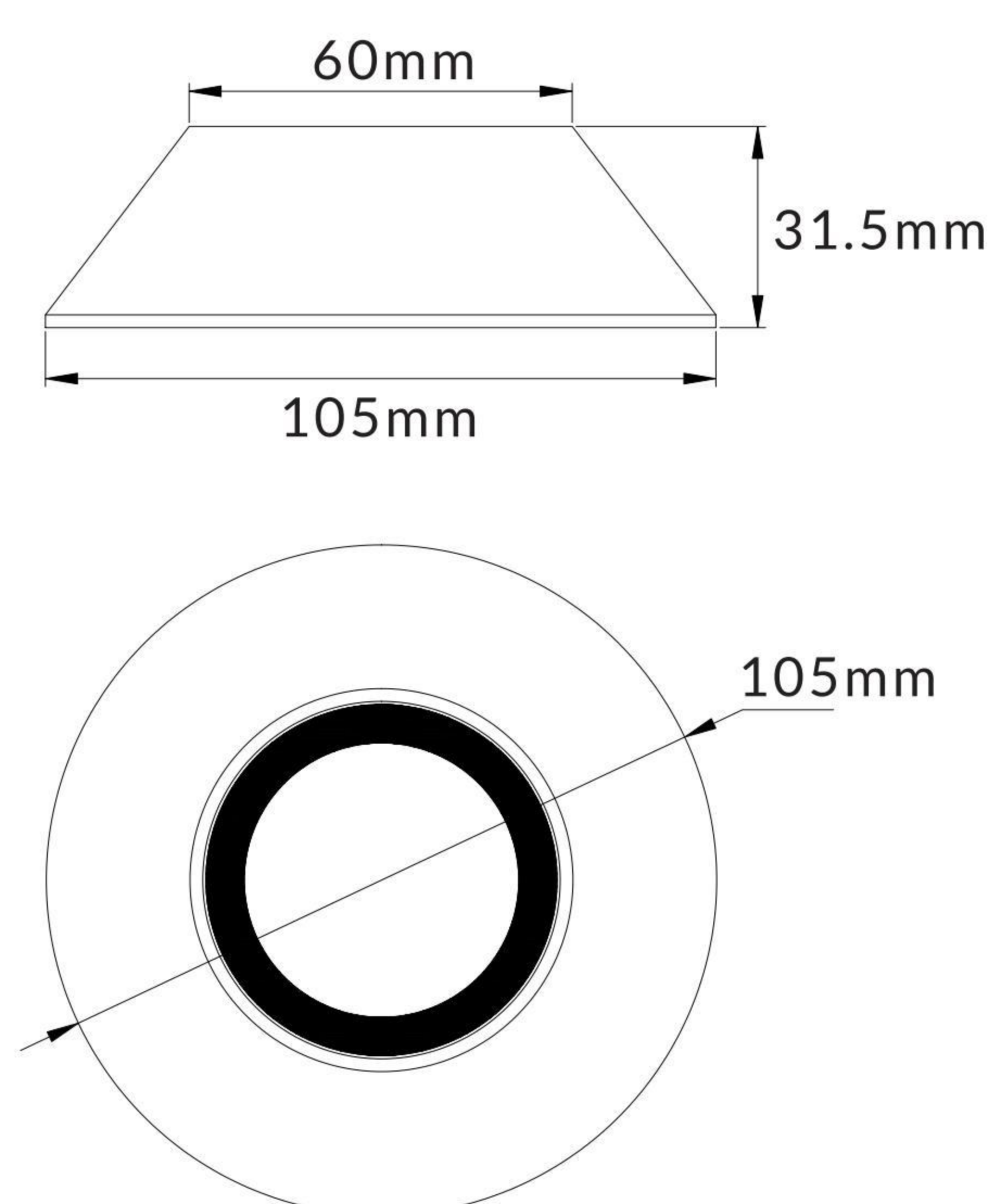


Technical data

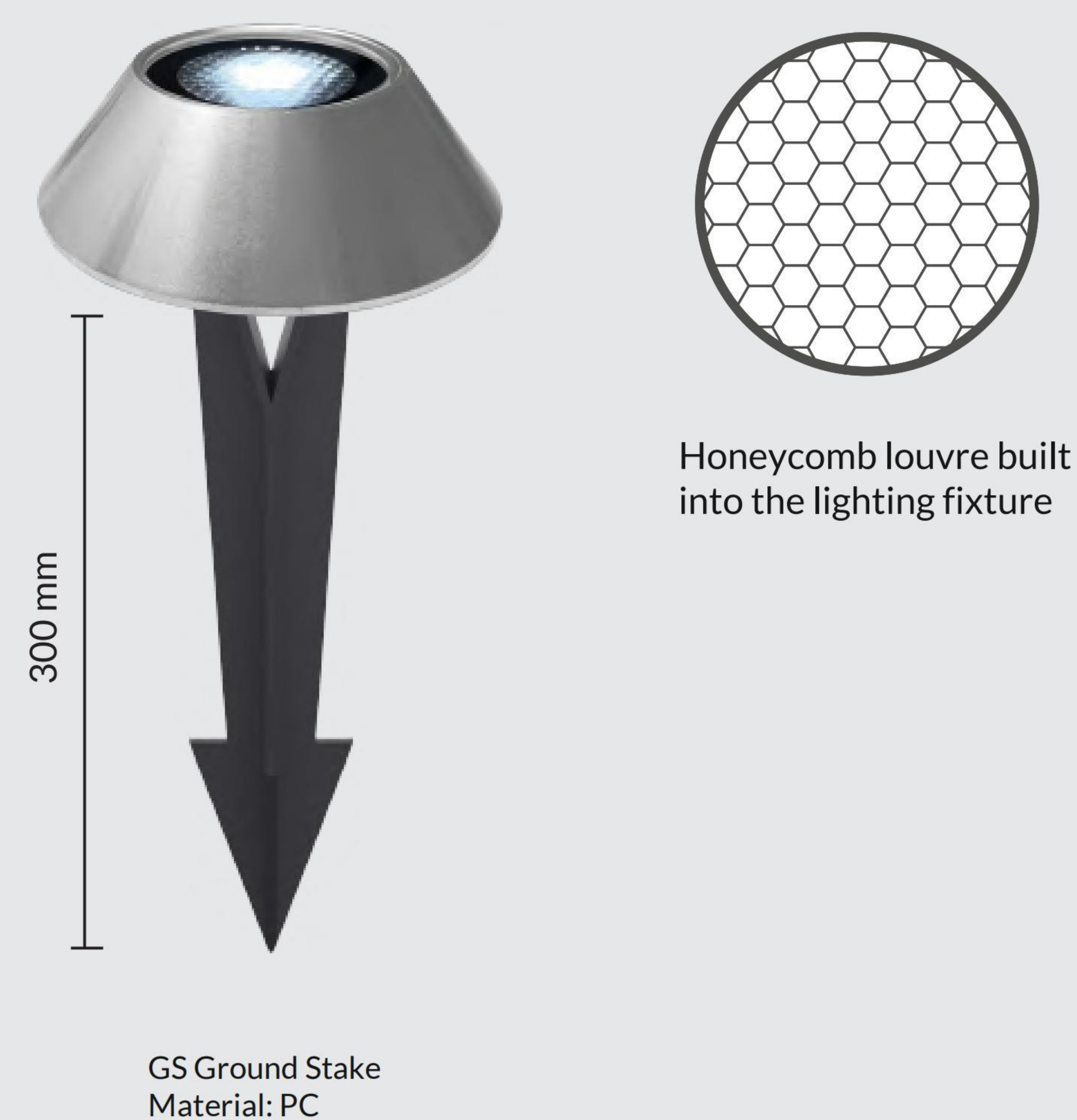
Wattage	5W
IP Rating	IP66
IK Rating	IK08
Material	316 stainless steel
Coating	Stainless steel natural color
Light source	High-Brightness LED CRI>80
Standard Deviation Color Matching	:MacAdam step 3
Screws	Stainless steel
Transformer	DC24V
Glass	5mm tempered glass
Power cable	1 mt. neoprene power cable included
Gross weight	1 Kg

EL-BM-316

Vandal resistant polycarbonate molded housing cover and lens,maximize performance and life of LED Driver is mounted in direct contact with the chamber for a low operating temperature and long life Polyester powder-coated finish, rust and corrosion proof, stabilized to extreme climate changes without cracking or peeling.



Option

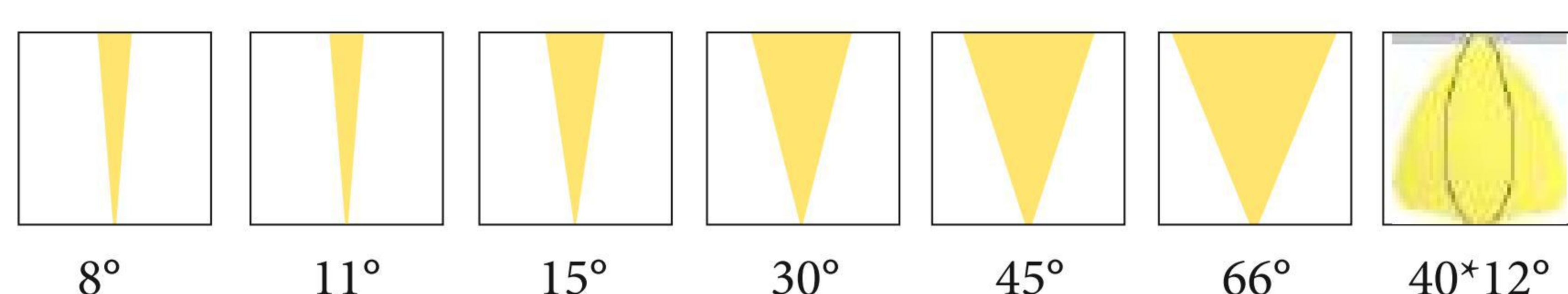


Surface mount base

light source*	lumen output (lm)	lumin. efficacy (lm/w)	light beam options
5000K white			
LT-BM-316-5W	450.0	90.0	8/11/15/30/45 /66/40*12°

3000/4000K CCT available on request

Light distribution options:



Technical features

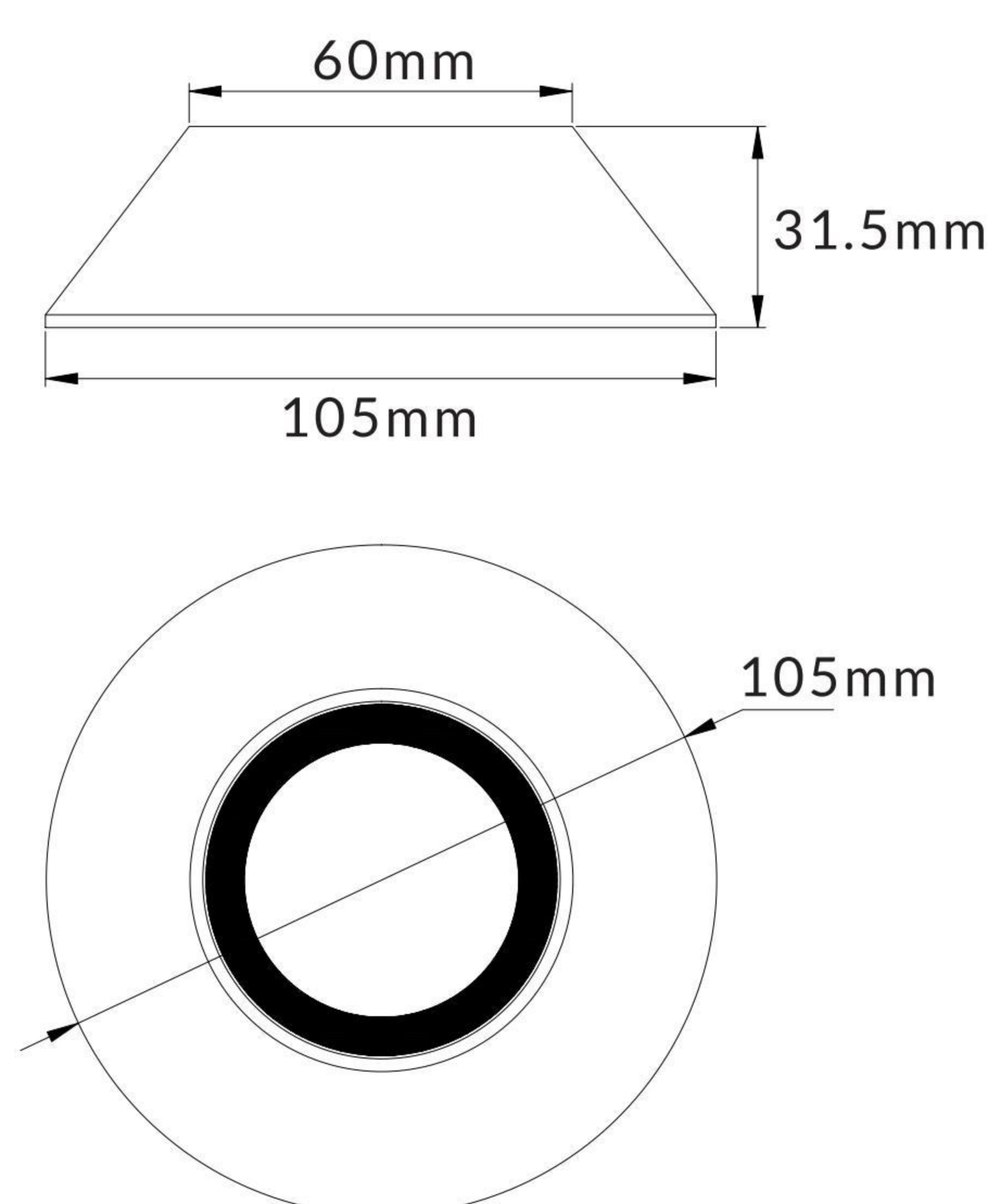


Technical data

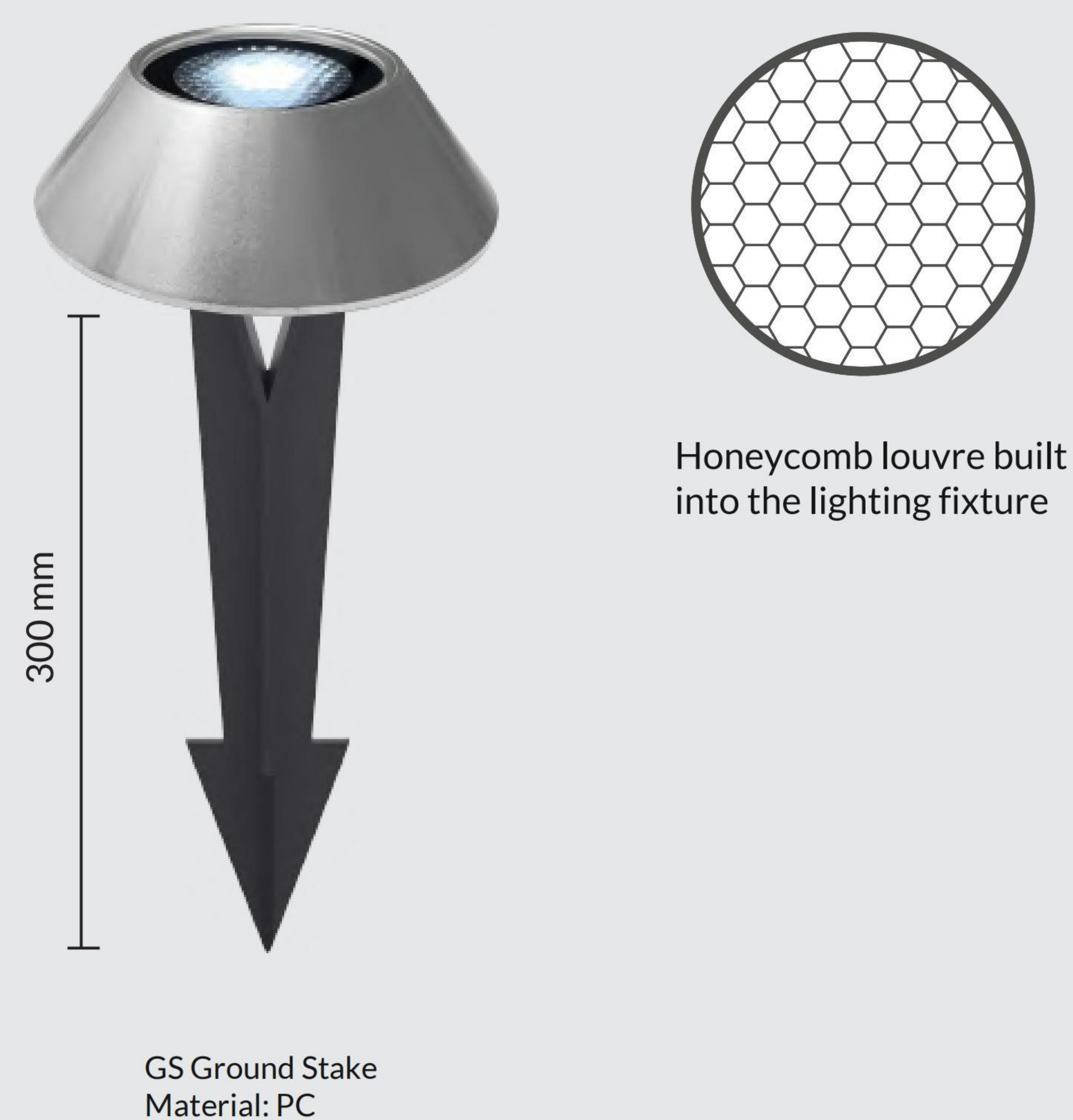
Wattage	5W
IP Rating	IP66
IK Rating	IK08
Material	316 stainless steel
Coating	Stainless steel natural color
Light source	High-Brightness LED CRI>80
Standard Deviation Color Matching	:MacAdam step 3
Screws	Stainless steel
Transformer	DC24V
Glass	5mm tempered glass
Power cable	1 mt. neoprene power cable included
Gross weight	1 Kg

EL-BM-316

Vandal resistant polycarbonate molded housing cover and lens,maximize performance and life of LED Driver is mounted in direct contact with the chamber for a low operating temperature and long life Polyester powder-coated finish, rust and corrosion proof, stabilized to extreme climate changes without cracking or peeling.



Option

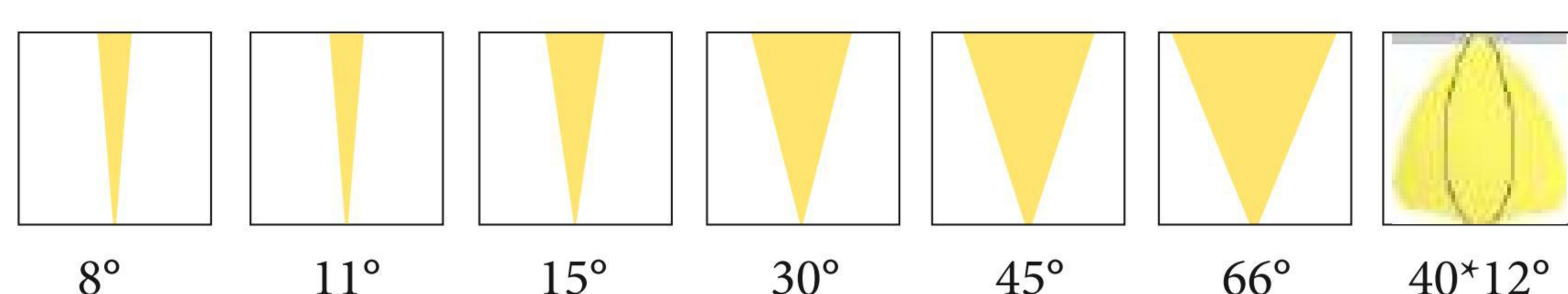


Surface mount base

light source*	lumen output (lm)	lumin. efficacy (lm/w)	light beam options
5000K white			
LT-BM-316-5W	450.0	90.0	8/11/15/30/45 /66/40*12°

3000/4000K CCT available on request

Light distribution options:





WHATSAPP / WECHAT: +86-139-2333-6864

CONTACT US

佰蒂科技有限公司

ELIKE TECHNOLOGY CO., LIMITED

邮箱 / E-mail: elike@elikelighting.com

网址 / Website: www.elikelighting.com

地址 / Address: 广东省中山市古镇曹兴东路88号首层

#88 East Caoxing Road, Guzhen Town, Zhongshan City, Guangdong, China.